

Contents

RULES FOR THE SURVEY AND CONSTRUCTION OF STEEL SHIPS	7
Part N SHIPS CARRYING LIQUEFIED GASES IN BULK.....	7
Chapter 1 GENERAL.....	7
1.1 General.....	7
1.2 Operational Conditions	10
Chapter 2 SHIP SURVIVAL CAPABILITY AND LOCATION OF CARGO TANKS	12
2.1 General (<i>IGC Code 2.1</i>)	12
2.2 Freeboard and Stability.....	12
2.3 Damage Assumptions (<i>IGC Code 2.3</i>).....	13
2.4 Location of Cargo Tanks (<i>IGC Code 2.4</i>).....	13
2.5 Flooding Assumptions (<i>IGC Code 2.5</i>)	22
2.6 Standard of Damage (<i>IGC Code 2.6</i>).....	23
2.7 Survival Requirements.....	23
2.8 Operating Requirements	24
Chapter 3 SHIP ARRANGEMENTS.....	25
3.1 Segregation of the Cargo Area (<i>IGC Code 3.1</i>)	25
3.2 Accommodation, Service and Machinery Spaces and Control Stations (<i>IGC Code 3.2</i>)	25
3.3 Cargo Machinery Spaces and Turret Compartments (<i>IGC Code 3.3</i>).....	26
3.4 Cargo Control Rooms (<i>IGC Code 3.4</i>).....	27
3.5 Access to Spaces in the Cargo Area (<i>IGC Code 3.5</i>).....	27
3.6 Airlocks (<i>IGC Code 3.6</i>)	31
3.7 Bilge, Ballast and Oil Fuel Arrangements (<i>IGC Code 3.7</i>)	31
3.8 Bow and Stern Loading and Unloading Arrangements (<i>IGC Code 3.8</i>)	32
3.9 Operating Requirements	32
Chapter 4 CARGO CONTAINMENT.....	34
4.1 Definitions (<i>IGC Code 4.1</i>).....	34
4.2 Application (<i>IGC Code 4.2</i>).....	34
4.3 Functional Requirements (<i>IGC Code 4.3</i>)	34
4.4 Cargo Containment Safety Principles (<i>IGC Code 4.4</i>)	35
4.5 Secondary Barriers in relation to Tank Types (<i>IGC Code 4.5</i>)*	36
4.6 Design of Secondary Barriers (<i>IGC Code 4.6</i>).....	36
4.7 Partial Secondary Barriers and Primary Barrier Small Leak Protection System (<i>IGC Code 4.7</i>)	37
4.8 Supporting Arrangements (<i>IGC Code 4.8</i>)	37
4.9 Associated Structure and Equipment (<i>IGC Code 4.9</i>).....	38
4.10 Thermal Insulation (<i>IGC Code 4.10</i>).....	38
4.11 General (<i>IGC Code 4.11</i>).....	38
4.12 Permanent Loads (<i>IGC Code 4.12</i>).....	38
4.13 Functional Loads (<i>IGC Code 4.13</i>)	38

4.14	Environmental Loads (<i>IGC Code 4.14</i>)	39
4.15	Accidental Loads (<i>IGC Code 4.15</i>)	40
4.16	General (<i>IGC Code 4.16</i>).....	40
4.17	Structural Analyses (<i>IGC Code 4.17</i>)	40
4.18	Design Conditions (<i>IGC Code 4.18</i>).....	41
4.19	Materials (<i>IGC Code 4.19</i>)	43
4.20	Construction Processes (<i>IGC Code 4.20</i>)	45
4.21	Type <i>A</i> Independent Tanks (<i>IGC Code 4.21</i>)	46
4.22	Type <i>B</i> Independent Tanks (<i>IGC Code 4.22</i>).....	47
4.23	Type <i>C</i> Independent Tanks (<i>IGC Code 4.23</i>).....	49
4.24	Membrane Tanks (<i>IGC Code 4.24</i>).....	52
4.25	Integral Tanks (<i>IGC Code 4.25</i>)	54
4.26	Semi-membrane Tanks (<i>IGC Code 4.26</i>).....	54
4.27	Limit State Design for Novel Concepts (<i>IGC Code 4.27</i>).....	54
4.28	Guidance Notes for Chapter 4 (<i>IGC Code 4.28</i>).....	55
Chapter 5	PROCESS PRESSURE VESSELS AND LIQUID, VAPOUR, AND PRESSURE PIPING SYSTEMS	60
5.1	General (<i>IGC Code 5.1</i>)	60
5.2	System Requirements (<i>IGC Code 5.2</i>).....	60
5.3	Arrangements for Cargo Piping outside the Cargo Area (<i>IGC Code 5.3</i>).....	61
5.4	Design Pressure (<i>IGC Code 5.4</i>)	61
5.5	Cargo System Valve Requirements (<i>IGC Code 5.5</i>).....	62
5.6	Cargo Transfer Arrangements (<i>IGC Code 5.6</i>)	63
5.7	Installation Requirements (Related to <i>IGC Code 5.7</i>)	63
5.8	Piping Fabrication and Joining Details (<i>IGC Code 5.8</i>).....	64
5.9	Welding, Post-weld Heat Treatment and Non-destructive Testing (<i>IGC Code 5.9</i>)	64
5.10	Installation Requirements for Cargo Piping outside the Cargo Area (<i>IGC Code 5.10</i>)	65
5.11	Piping System Component Requirements (<i>IGC Code 5.11</i>)	65
5.12	Materials (<i>IGC Code 5.12</i>)	67
5.13	Testing Requirements (<i>IGC Code 5.13</i>).....	68
5.14	Operating Requirements	69
Chapter 6	MATERIALS OF CONSTRUCTION AND QUALITY CONTROL	70
6.1	Definitions (<i>IGC Code 6.1</i>).....	70
6.2	Scope and General Requirements (<i>IGC Code 6.2</i>)	70
6.3	General Test Requirements and Specifications (<i>IGC Code 6.3</i>)	71
6.4	Requirements for Metallic Materials (with reference to <i>IGC Code 6.4</i>)	72
6.5	Welding of Metallic Materials and Non-destructive Testing (<i>IGC Code 6.5</i>)	77
6.6	Other Requirements for Construction in Metallic Materials (<i>IGC Code 6.6</i>).....	80
6.7	Non-metallic Materials (<i>IGC Code 6.7</i>)	81
Chapter 7	CARGO PRESSURE/TEMPERATURE CONTROL.....	82
7.1	Methods of Control (<i>IGC Code 7.1</i>)	82
7.2	Design of Systems (<i>IGC Code 7.2</i>)*	82
7.3	Reliquefaction of Cargo Vapours (<i>IGC Code 7.3</i>).....	82

7.4	Thermal Oxidation of Vapours (<i>IGC Code 7.4</i>).....	82
7.5	Pressure Accumulation Systems (<i>IGC Code 7.5</i>).....	83
7.6	Liquid Cargo Cooling (<i>IGC Code 7.6</i>).....	83
7.7	Segregation (<i>IGC Code 7.7</i>)*.....	83
7.8	Availability (<i>IGC Code 7.8</i>).....	83
7.9	Operating Requirements.....	84
Chapter 8	CARGO TANK VENT SYSTEMS.....	85
8.1	General.....	85
8.2	Pressure Relief Systems (<i>IGC Code 8.2</i>).....	85
8.3	Vacuum Protection Systems (<i>IGC Code 8.3</i>).....	87
8.4	Sizing of Pressure Relieving Systems (<i>IGC Code 8.4</i>).....	87
8.5	Operating Requirements.....	89
Chapter 9	CARGO CONTAINMENT SYSTEM ATMOSPHERE CONTROL.....	90
9.1	Atmosphere Control within the Cargo Containment Systems (Related to <i>IGC Code 9.1</i>).....	90
9.2	Atmosphere Control within the Hold Spaces (Cargo Containment Systems other than Type <i>C</i> Independent Tanks) (Related to <i>IGC Code 9.2</i>).....	90
9.3	Environmental Control of Spaces Surrounding Type <i>C</i> Independent Tanks (Related to <i>IGC Code 9.3</i>).....	90
9.4	Inerting (Related to <i>IGC Code 9.4</i>).....	91
9.5	Inert Gas Production On Board (Related to <i>IGC Code 9.5</i>).....	91
Chapter 10	ELECTRICAL INSTALLATIONS.....	92
10.1	General.....	92
10.2	General Requirements (<i>IGC Code 10.2</i>).....	92
Chapter 11	FIRE PROTECTION AND EXTINCTION.....	94
11.1	Fire Safety Requirements (<i>IGC Code 11.1</i>).....	94
11.2	Fire Mains and Hydrants (<i>IGC Code 11.2</i>).....	94
11.3	Water Spray System (<i>IGC Code 11.3</i>).....	95
11.4	Dry Chemical Powder Fire-extinguishing Systems (<i>IGC Code 11.4</i>).....	96
11.5	Enclosed Spaces Containing Cargo Handling Equipment.....	97
11.6	Fire-fighter's Outfits.....	97
Chapter 12	MECHANICAL VENTILATION IN THE CARGO AREA.....	98
12.1	Spaces Required to be Entered during Normal Cargo Handling Operations (<i>IGC Code 12.1</i>) 98	
12.2	Spaces Not Normally Entered (<i>IGC Code 12.2</i>).....	99
Chapter 13	INSTRUMENTATION AND AUTOMATION SYSTEMS.....	100
13.1	General (<i>IGC Code 13.1.1</i>).....	100
13.2	Level Indicators for Cargo Tanks (<i>IGC Code 13.2</i>).....	100
13.3	Overflow Control (<i>IGC Code 13.3</i>).....	100
13.4	Pressure Monitoring (<i>IGC Code 13.4</i>).....	101
13.5	Temperature Indicating Devices (<i>IGC Code 13.5</i>).....	101
13.6	Gas Detection Requirements (<i>IGC Code 13.6</i>).....	102
13.7	Additional Requirements for Containment Systems Requiring a Secondary Barrier (<i>IGC Code 13.7</i>).....	104
13.8	Automation Systems (<i>IGC Code 13.8</i>).....	104

13.9	System Integration (<i>IGC Code 13.9</i>)	105
13.10	Operating Requirements	105
13.11	Additional Requirements	106
Chapter 14	PERSONNEL PROTECTION	107
14.1	Protective Equipment (<i>IGC Code 14.1</i>)	107
14.2	First-aid Equipment (<i>IGC Code 14.2</i>)	107
14.3	Safety Equipment (<i>IGC Code 14.3</i>)	107
14.4	Personnel Protection Requirements for Individual Products (<i>IGC Code 14.4</i>)	107
14.5	Operating Requirements	108
Chapter 15	FILLING LIMITS FOR CARGO TANKS	109
15.1	Definitions (Related to <i>IGC Code 15.1</i>)	109
15.2	General Requirements (Related to <i>IGC Code 15.2</i>)	109
15.3	Default Filling Limit (Related to <i>IGC Code 15.3</i>)	109
15.4	Determination of Increased Filling Limit (Related to <i>IGC Code 15.4</i>)	109
15.5	Maximum Loading Limit (Related to <i>IGC Code 15.5</i>)	110
15.6	Information to be Provided to the Master	110
15.7	Operation Conditions	110
Chapter 16	USE OF CARGO AS FUEL	111
16.1	General (<i>IGC Code 16.1</i>)	111
16.2	Use of Cargo Vapour as Fuel (<i>IGC Code 16.2</i>)	111
16.3	Arrangement of Spaces Containing Gas Consumers (<i>IGC Code 16.3</i>)	111
16.4	Gas Fuel Supply (<i>IGC Code 16.4</i>)	111
16.5	Gas Fuel Plants and Related Storage Tanks (<i>IGC Code 16.5</i>)	113
16.6	Special Requirements for Main Boilers (<i>IGC Code 16.6</i>)	113
16.7	Special Requirements for Gas-fired Internal Combustion Engines (<i>IGC Code 16.7</i>)	114
16.8	Special Requirements for Gas Turbine (<i>IGC Code 16.8</i>)	114
16.9	Alternative Fuels and Technologies (<i>IGC Code 16.9</i>)	115
16.10	Operating Requirements	115
Chapter 17	SPECIAL REQUIREMENTS	116
17.1	General (<i>IGC Code 17.1</i>)	116
17.2	Materials of Construction (<i>IGC Code 17.2</i>)	116
17.3	Independent Tanks (<i>IGC Code 17.3</i>)	116
17.4	Refrigeration Systems	116
17.5	Cargoes Requiring Type 1G Ship (<i>IGC Code 17.5</i>)	117
17.6	Exclusion of Air from Vapour Spaces (With reference to <i>IGC Code 17.6</i>)	117
17.7	Moisture Control (<i>IGC Code 17.7</i>)	117
17.8	Inhibition (With reference to <i>IGC Code 17.8</i>)	117
17.9	Flame Screen on Vent Outlets (<i>IGC Code 17.9</i>)	118
17.10	Maximum Allowable Quantity of Cargo per Tank (With reference to <i>IGC Code 17.10</i>) ..	118
17.11	Cargo Pumps and Discharge Arrangements (With reference to <i>IGC Code 17.11</i>)	118
17.12	Ammonia (<i>IGC Code 17.12</i>)*	118
17.13	Chlorine	119
17.14	Ethylene Oxide	120

17.15	Separate Piping Systems	121
17.16	Methyl Acetylene-propadiene Mixtures	121
17.17	Nitrogen.....	122
17.18	Propylene Oxide and Mixtures of Ethylene Oxide-propylene Oxide with Ethylene Oxide Content of not more than 30% by Weight	122
17.19	Vinyl Chloride (With reference to <i>IGC Code 17.19</i>)	124
17.20	Mixed <i>C4</i> Cargoes (With reference to <i>IGC Code 17.20</i>)	124
17.21	Carbon Dioxide: High Purity (With reference to <i>IGC Code 17.21</i>)	124
17.22	Carbon Dioxide: Reclaimed Quality	125
17.23	Operating Requirements	125
Chapter 18	OPERATING REQUIREMENTS	129
18.1	General (<i>IGC Code 18.1</i>).....	129
18.2	Cargo Operations Manuals (<i>IGC Code 18.2</i>)	129
18.3	Cargo Emergency Shutdown (<i>ESD</i>) System (<i>IGC Code 18.10</i>)	129
18.4	Operating Requirements	134
Chapter 19	MINIMUM REQUIREMENTS (Related to <i>IGC Code Chapter 19</i>)	136
19.1	General.....	136
Annex 16.1.1-2	(Deleted)	140
Annex 16.1.1-3	GAS-FUELLED ENGINES	141
Chapter 1	GENERAL.....	141
1.1	Scope.....	141
1.2	Equivalency	141
1.3	Drawings and Data	141
1.4	Terms	142
Chapter 2	CONSTRUCTION AND EQUIPMENT OF GAS-FUELLED ENGINES	144
2.1	General.....	144
2.2	Construction and Strength	144
2.3	Safety Systems.....	145
2.4	Accessory Equipment	145
2.5	Design Requirements for Each Kind of Engines.....	147
Chapter 3	GAS FUEL SUPPLY SYSTEMS	148
3.1	Gas Fuel make-up Plants	148
3.2	Gas Fuel Supply Piping Systems	148
Chapter 4	CONTROL, ALARM AND SAFETY SYSTEMS.....	149
4.1	General.....	149
4.2	Gas-fuelled engines of Ships to which the Rules for Automatic Remote Control Systems Apply 151	
4.3	Gas Fuel Supply Compressors for Ships to which the Rules for Automatic and Remote Control Systems Apply	151
Chapter 5	TESTS.....	152
5.1	Approval of Use.....	152
5.2	Shop Test.....	152
5.3	Tests after Installation On Board	152

5.4 Sea Trials..... 152

RULES FOR THE SURVEY AND CONSTRUCTION OF STEEL SHIPS**Part N SHIPS CARRYING LIQUEFIED GASES IN BULK****Chapter 1 GENERAL****1.1 General****1.1.1 Application (Related to IGC Code 1.1.1, 1.1.5, 1.1.7 and 1.1.10)**

1 The requirements in this Part apply to ships carrying liquefied gases in bulk intended to be registered and classed with the Society (hereinafter referred to as “ship (s)” in this Part). The term “liquefied gases” means those having absolute vapour pressure exceeding 0.28 MPa at a temperature of 37.8°C, and other similar flammable products as shown in **Table N19.1**.

2 For ships to be classed for restricted service and ships not provided with propulsive machinery, the requirements may be modified as appropriate.

3 As for hull, machinery and equipment specified in this Part, the requirements in this Part are to take precedence of those in other Parts.

4 Where a ship is intended to carry products covered by this Part and those covered by **Part S** simultaneously or alternately, the ship is to comply with the requirements of both Parts as appropriate to the products carried, except the cases which come under the following (1) and (2):

- (1) Where the requirements of this Part are to take precedence when a ship is designed and constructed for carriage of cargoes mentioned in (a) and (b) below;
 - (a) those listed exclusively in **Table N19.1** of this Part.
 - (b) one or more of the products which are listed in both this Part and **Part S** (these products are marked with an asterisk (*) in column “a” in **Table N19.1**).
- (2) Where the requirements of **Part S** are to apply when a ship is intended exclusively to carry one or more of products mentioned in the (1)(b) above.

5 When a ship is intended to operate for periods at a fixed location in a re-gasification and gas discharge mode or a gas receiving, processing, liquefaction and storage mode, it is necessary to ensure that the ship complies with the additional requirements established by the Administrations and port Administrations as per the provisions of **1.1.10** of the *IGC Code*.

6 It is necessary to ensure that ships carrying liquefied gases in bulk which are at the beginning stage of construction before 1 July 2016 comply with the regulations effective at the time of their construction.

1.1.2 Equivalency

The construction, equipment, etc. which do not fall under the provisions of this Part but are considered to be equivalent to those required in this Part in accordance with **1.3** of the *IGC Code* will be accepted by the Society.

1.1.3 National Requirements

The Society may make special requirements as instructed by flag-government of ships or the government of sovereign nation in which ships navigate.

1.1.4 Risk Assessment (Related to IGC Code 1.1.11)

Where a risk assessment or study of similar intent is utilized within this Part, the results are also to include, but not be limited to, the following as evidence of effectiveness:

- (1) description of methodology and standards applied;
- (2) potential variation in scenario interpretation or sources of error in the study;
- (3) validation of the risk assessment process by an independent and suitable third party;

- (4) quality system under which the risk assessment was developed;
- (5) the source, suitability and validity of data used within the assessment;
- (6) the knowledge base of persons involved within the assessment;
- (7) system of distribution of results to relevant parties; and
- (8) validation of results by an independent and suitable third party.

1.1.5 Definitions (Related to IGC Code 1.2 and MSC/Circ.1116)*

The following definitions apply in this Part unless expressly provided otherwise.

- (1) “Accommodation spaces” means those spaces used for public spaces, corridors, lavatories, cabins, offices, hospitals, cinemas, games and hobby rooms, barber shops, pantries without cooking appliances and similar spaces.
- (2) “‘A’ class divisions” means divisions as defined in **3.2.2, Part R**.
- (3) “Administration” means the Government of the State whose flag the ship is entitled to fly. For Administration (port), see port Administration.
- (4) “Boiling point” means the temperature at which a product exhibits a vapour pressure equal to the atmospheric pressure.
- (5) “Breadth (B_j)” means the maximum breadth of the ship, measured amidships to the moulded line of the frame in a ship with a metal shell, and to the outer surface of the hull in a ship with a shell of any other material. The breadth (B_j) is to be measured in metres.
- (6) “Cargo area” means that part of the ship which contains the cargo containment system and cargo pump and compressor rooms and includes the deck areas over the full length and breadth of the part of the ship over these spaces. Where fitted, the cofferdams, ballast or void spaces at the after end of the aftermost hold space or at the forward end of the foremost hold space are excluded from the cargo area.
- (7) “Cargo containment system” means the arrangement for containment of cargo including, where fitted, a primary and secondary barrier, associated insulation and any intervening spaces, and adjacent structure, if necessary, for the support of these elements. If the secondary barrier is part of the hull structure, it may be a boundary of the hold space.
- (8) “Cargo control room” means a space used in the control of cargo handling operations.
- (9) “Cargo machinery spaces” means the spaces where cargo compressors or pumps, cargo processing units, are located, including those supplying gas fuel to the engine room.
- (10) “Cargo pumps” are pumps used for the transfer of liquid cargo including main pumps, booster pumps, spray pumps, etc.
- (11) “Cargoes” means products listed in **Table N19.1** carried in bulk by ships subject to the requirements in this Part.
- (12) “Cargo service spaces” means spaces within the cargo area used for workshops, lockers and storerooms that are more than 2 m^2 in area.
- (13) “Cargo tank” means the liquidtight shell designed to be the primary container of the cargo and includes all such containment systems whether or not they are associated with the insulation or/and the secondary barriers.
- (14) “Closed loop sampling” means a cargo sampling system that minimizes the escape of cargo vapour to the atmosphere by returning product to the cargo tank during sampling.
- (15) “Cofferdam” means the isolating space between two adjacent steel bulkheads or decks. This space may be a void space or a ballast space.
- (16) “Control stations” means those spaces in which ship’s radio, main navigating equipment or the emergency source of power is located or where the fire-recording or fire control equipment is centralized. This does not include special fire control equipment, which can be most practically located in the cargo area.
- (17) “Flammable products” means those identified by an “F” in column “f” in **Table N19.1**.
- (18) “Flammability limits” means the conditions defining the state of fuel-oxidant mixture at which application of an adequately strong external ignition source is only just capable of producing flammability in a given test apparatus.
- (19) “FSS Code” is the Fire Safety Systems Code meaning the International Code for Fire Safety Systems, adopted by the Maritime Safety Committee of the Organization by resolution MSC.98(73), as amended.
- (20) “Gas carrier” means a cargo ship constructed or adapted and used for the carriage in bulk of any liquefied gas or other products listed in **Table N19.1**.
- (21) “Gas combustion unit (GCU)” means a means of disposing excess cargo vapour by thermal oxidation.
- (22) “Gas consumer” means any unit within the ship using cargo vapour as a fuel.

- (23) “Hazardous area” means an area in which an explosive gas atmosphere is, or may be expected to be present, in quantities that require special precautions for the construction, installation and use of electrical equipment. When a gas atmosphere is present, the following hazards may also be present: toxicity, asphyxiation, corrosivity, reactivity and low temperature. These hazards are also to be taken into account and additional precautions for the ventilation of spaces and protection of the crew will need to be considered. Examples of hazardous areas include, but are not limited to, the following:
- (a) the interiors of cargo containment systems and any pipework of pressure-relief or other venting systems for cargo tanks, pipes and equipment containing the cargo;
 - (b) interbarrier spaces;
 - (c) hold spaces where the cargo containment system requires a secondary barrier;
 - (d) hold spaces where the cargo containment system does not require a secondary barrier;
 - (e) a space separated from a hold space by a single gastight steel boundary where the cargo containment system requires a secondary barrier;
 - (f) cargo machinery spaces;
 - (g) areas on open deck, or semi-enclosed spaces on open deck, within 3 m of possible sources of gas release, such as cargo valve, cargo pipe flange, cargo machinery space ventilation outlet, etc.;
 - (h) areas on open deck, or semi-enclosed spaces on open deck within 1.5 m of cargo machinery space entrances, cargo machinery space ventilation inlets;
 - (i) areas on open deck over the cargo area and 3m forward and aft of the cargo area on the open deck up to a height of 2.4 m above the weather deck;
 - (j) an area within 2.4 m of the outer surface of a cargo containment system where such surface is exposed to the weather;
 - (k) enclosed or semi-enclosed spaces in which pipes containing cargoes are located, except those where pipes containing cargo products for boil-off gas fuel burning systems are located;
 - (l) an enclosed or semi-enclosed space having a direct opening into any hazardous area;
 - (m) void spaces, cofferdams, trunks, passageways and enclosed or semi-enclosed spaces, adjacent to, or immediately above or below, the cargo containment system;
 - (n) areas on open deck or semi-enclosed spaces on open deck above and in the vicinity of any vent riser outlet, within a vertical cylinder of unlimited height and 6m radius centred upon the centre of the outlet and within a hemisphere of 6 m radius below the outlet; and
 - (o) areas on open deck within spillage containment surrounding cargo manifold valves and 3 m beyond these up to a height of 2.4 m above deck.
- (24) “Non-hazardous area” means an area other than a hazardous area.
- (25) “Hold space” means the space enclosed by the ship’s structure in which a cargo containment system is situated.
- (26) “*IBC Code*” means the International Code for the Construction and Equipment of Ships carrying Dangerous Chemicals in Bulk, adopted by the Maritime Safety Committee of the Organization by resolution *MSC.4(48)*, as amended.
- (27) “Independent” means that a piping or venting system, for example, is in no way connected to another system and that there are no provisions available for the potential connection to other systems.
- (28) “Insulation space” means the space, which may or may not be an interbarrier space, occupied wholly or in part by insulation.
- (29) “Interbarrier space” means the space between a primary and a secondary barrier, whether or not completely or partially occupied by insulation or other material.
- (30) “Length (*L*)” means the length as defined in **2.1.3, Part A**.
- (31) “Machinery spaces of category *A*” means those spaces, and trunks to those spaces, which contain either:
- (a) internal combustion machinery used for main propulsion; or
 - (b) internal combustion machinery used for purposes other than main propulsion where such machinery has, in the aggregate, a total power output of not less than 375kW; or
 - (c) any oil-fired boiler or oil fuel unit or any oil-fired equipment other than boilers, such as inert gas generators, incinerators, etc.
- (32) “Machinery spaces” means machinery spaces of category *A* and other spaces containing propelling machinery, boilers, oil fuel units, steam and internal-combustion engines, generators and major electrical machinery, oil filling stations, refrigerating,

stabilizing, ventilation and air-conditioning machinery, and similar spaces and the trunks to such spaces.

- (33) “*MARVS*” means the maximum allowable relief valve setting of a cargo tank (gauge pressure).
- (34) “Oil fuel unit” means the equipment used for the preparation of oil fuel for delivery to an oil-fired boiler, or equipment used for the preparation for delivery of heated oil to an internal combustion engine, and includes any oil pressure pumps, filters and heaters dealing with oil at a pressure of more than 0.18 *MPa* gauge.
- (35) “Permeability” of a space means the ratio of the volume within that space which is assumed to be occupied by water to the total volume of that space.
- (36) “Port Administration” means the appropriate authority of the country for the port where the ship is loading or unloading.
- (37) “Primary barrier” means the inner element designed to contain the cargo when the cargo containment system includes two boundaries.
- (38) “Products” means the collective term used to cover the list of gases indicated in **Chapter 19** of this Part.
- (39) “Public spaces” means those portions of the accommodation that are used for halls, dining rooms, lounges and similar permanently enclosed spaces.
- (40) “Recognized standards” means applicable international or national standards acceptable to the Administration, or standards laid down and maintained by the Society.
- (41) “Relative density” means the ratio of the mass of a volume of a product to the mass of an equal volume of fresh water.
- (42) “Secondary barrier” means the liquid-resisting outer element of a cargo containment system, designed to afford temporary containment of any envisaged leakage of liquid cargo through the primary barrier and to prevent the lowering of the temperature of the ship’s structure to an unsafe level. Types of secondary barrier are more fully defined in **Chapter 4** of this Part.
- (43) “Separate systems” means those cargo piping and vent systems that are not permanently connected to each other.
- (44) “Service spaces” means those used for galleys, pantries containing cooking appliances, lockers, mail and specie rooms, store-rooms, workshops other than those forming part of the machinery spaces, and similar spaces and trunks to such spaces.
- (45) “Tank cover” means the protective structure intended to either protect the cargo containment system against damage where it protrudes through the weather deck or to ensure the continuity and integrity of the deck structure.
- (46) “Tank dome” means the upward extension of a portion of a cargo tank. In the case of below-deck cargo containment systems the tank dome protrudes through the weather deck or through a tank cover.
- (47) “Thermal oxidation method” means a system where the boil-off vapours are utilized as fuel for shipboard use or as a waste heat system subject to the provisions of **Chapter 16 of this Part** or a system not using the gas as fuel complying with this Part.
- (48) “Toxic products” means those defined by a “*T*” in column “*f*” in **Table N19.1**.
- (49) “Turret compartments” means those spaces and trunks that contain equipment and machinery for retrieval and release of the disconnectable turret mooring system, high-pressure hydraulic operating systems, fire protection arrangements and cargo transfer valves.
- (50) “Vapour pressure” means the equilibrium pressure of the saturated vapour above the liquid, expressed in Pascals (*Pa*) absolute at a specified temperature.
- (51) “Void space” means an enclosed space in the cargo area external to a cargo containment system, other than a hold space, ballast space, oil fuel tank, cargo pumps or compressor room, or any space in normal use by personnel.
- (52) “*IGC Code*” means the “International Code for a Construction and Equipment of Ships Carrying Liquefied Gases in Bulk”, adopted by the Maritime Safety Committee of the Organization by resolution *MSC.5(48)*, as amended.

1.2 Operational Conditions

1.2.1 Application

The provisions in **1.2** are not related to surveys necessary for the maintenance of classification, but indicate those matters which are to be strictly observed by the shipowner or the ship master as well as all other persons responsible for the ship’s operation.

1.2.2 Restrictions of Loading Flammable Cargoes (Related to *IGC Code* 1.1.4)

1 When cargo tanks contain products for which this Part requires a type 1 *G* ship, neither flammable liquids having a flashpoint of 60°C (closed cup test) or less nor flammable products listed in **Chapter 19** of this Part are to be carried in tanks located within the protective zones described in **2.4.1(1)**.

2 Similarly, when cargo tanks contain products for which this Part requires a type *2G/2PG* ship, the flammable liquids in compliance with the requirements given in **1.2.2-1** are not to be carried in tanks located within the protective zones described in **2.4.1(2)**.

3 In each case the restriction applies to the protective zones within the longitudinal extent of the hold spaces for the cargo tanks loaded with products for which this Part requires a type *1G* or *2G/2PG* ship.

4 The above-mentioned flammable liquids and products may be carried within these protective zones when the quantity retained in the cargo tanks of products for which this Part requires a type *1G* or *2G/PG* ship is solely used for cooling, circulation or fuelling purposes.

Chapter 2 SHIP SURVIVAL CAPABILITY AND LOCATION OF CARGO TANKS

2.1 General (*IGC Code 2.1*)

2.1.1 General*

Ships are to survive the hydrostatic effects of flooding following assumed hull damage caused by some external force. In addition, to safeguard the ship and the environment, the cargo tanks are to be protected from penetration in the case of minor damage to the ship resulting, for example, from contact with a jetty or tug, and given a measure of protection from damage in the case of collision or grounding, by locating them at specified minimum distances inboard from the ship's shell plating. Both the damage to be assumed and the proximity of the tanks to the ship's shell are to be dependent upon the degree of hazard presented by the product to be carried. In addition, the proximity of the cargo tanks to the ship's shell is to be dependent upon the volume of the cargo tank.

2.1.2 Ship Types

Ships are to be designed to one of the following standards.

Thus a type 1G ship is a gas carrier intended for the transportation of products considered to present the greatest overall hazard and types 2G /2PG and type 3G for products of progressively lesser hazards. Accordingly, a type 1G ship is to be designed to survive the most severe standard of damage and its cargo tanks are to be located at the maximum prescribed distance inboard from the shell plating.

- (1) A type 1G ship is a gas carrier intended to transport products indicated in [Chapter 19](#) that require maximum preventive measures to preclude their escape.
- (2) A type 2G ship is a gas carrier intended to transport products indicated in [Chapter 19](#) that require significant preventive measures to preclude the escape of such cargo.
- (3) A type 2PG ship is a gas carrier of 150 m in length or less intended to transport products indicated in [Chapter 19](#) that require significant preventive measures to preclude their escape, and where the products are carried in type C independent tanks designed (*see 4.23.1*) for a *MARVS* of at least 0.7 MPa gauge and a cargo containment system design temperature of -55°C or above. A ship of this description that over 150 m in length is to be considered a type 2G ship.
- (4) A type 3G ship is a gas carrier intended to carry products indicated in [Chapter 19](#) that require moderate preventive measures to preclude the escape of such cargo.

2.1.3 Ship Types for Individual Products

The ship type required for individual products is indicated in column "c" in [Table N19.1](#).

2.1.4 Ship Carrying more than One Product

If a ship is intended to carry more than one product listed in [Table N19.1](#), the standard of damage is to correspond to that product having the most stringent ship type requirement. The requirements for the location of individual cargo tanks, however, are those for ship types related to the respective products intended to be carried.

2.1.5 Moulded Line for Cargo Containment System

For the purpose of this Part, the position of the moulded line for different containment systems is shown in [Fig. N2.5](#) to [Fig. N2.9](#).

2.2 Freeboard and Stability

2.2.1 Stability (*IGC Code 2.2.2*)

The stability of the ship, in all seagoing conditions and during loading and unloading cargo, is to comply with the requirements of the [Part U of the Rules](#). This includes partial filling and loading and unloading at sea, when applicable. Stability during ballast water operations is to fulfil stability criteria.

2.2.2 Solid Ballast (*IGC Code 2.2.4*)*

Solid ballast is not normally to be used in double bottom spaces in the cargo area. Where, however, because of stability considerations, the fitting of solid ballast in such spaces becomes unavoidable, its disposition is to be governed by the need to enable access for inspection and to ensure that the impact loads resulting from bottom damage are not directly transmitted to the

cargo tank structure.

2.2.3 Stability Information (With reference to IGC Code 2.2.5)*

The information booklet specified in 2.1.7-8, Part B is to contain a summary of the ship's survival capabilities.

2.2.4 Stability Instruments (With reference to IGC Code 2.2.6 and 2.2.7)*

1 All ships subject to this Part are to be fitted with a stability instrument, capable of verifying compliance with intact and damage stability requirements, approved by the Administration having regard to the performance standards recommended by the *IMO*.

2 Notwithstanding the requirement in the preceding -1, a stability instrument installed on a ship at the beginning stage of construction before 1 July 2016 need not be replaced provided it is capable of verifying compliance with intact and damage stability to the satisfaction of the Administration.

3 In cases where the stability instrument is fitted in accordance with the requirements in the preceding -1 or -2, a document of approval for the stability instrument issued by the Administration is to be maintained on board.

4 The Administration may waive the requirements in the preceding -1 to -3 for the following ships, provided the procedures employed for intact and damage stability verification maintain the same degree of safety, as being loaded in accordance with the approved conditions:

- (1) Ships which are on a dedicated service, with a limited number of permutations of loading such that all anticipated conditions have been approved in the stability information provided in accordance with the requirements in 2.2.3;
- (2) Ships where stability verification is made remotely by a means approved by the Administration;
- (3) Ships which are loaded within an approved range of loading conditions; or
- (4) Ships at the beginning stage of construction before 1 July 2016 provided with approved limiting KG/GM curves covering all applicable intact and damage stability requirements.

2.2.5 Conditions of Loading (With reference to IGC Code 2.2.8)*

Damage survival capability is to be investigated on the basis of loading information submitted to the Society for all anticipated conditions of loading and variations in draught and trim. This is to include ballast and, where applicable, cargo heel.

2.3 Damage Assumptions (IGC Code 2.3)

2.3.1 Extent of Damage

1 The assumed maximum extent of damage in the shipside is to be in accordance with Table N2.1.

2 The assumed maximum extent of damage in the bottom is to be in accordance with Table N2.2.

2.3.2 Other Damage*

1 If any damage of a lesser extent than the maximum damage specified in 2.3.1 would result in a more severe condition, such damage is to be assumed.

2 Local damage anywhere in the cargo area extending inboard 760 mm measured normal to the moulded line of the outer shell is to be considered and bulkheads are to be assumed damaged when the relevant subparagraphs of 2.6.1 apply. If a damage of a lesser extent than "d" would result in a more severe condition, such damage is to be assumed.

2.4 Location of Cargo Tanks (IGC Code 2.4)

2.4.1 Location of Cargo Tanks*

Cargo tanks are to be located at the following distances inboard:

(1) Type 1G ships: from the moulded line of the outer shell, not less than the transverse extent of damage specified in Table N2.1 and from the moulded line of the bottom shell at centreline not less than the vertical extent of damage specified in Table N2.2 and nowhere less than "d" where "d" is as follows.

- (a) for V_c below or equal $1,000 m^3$, $d = 0.8 m$
- (b) for $1,000 m^3 < V_c < 5,000 m^3$, $d = 0.75 + V_c \times 0.2/4,000 m$
- (c) for $5,000 m^3 \leq V_c < 30,000 m^3$, $d = 0.8 + V_c /25,000 m$
- (d) for $V_c \geq 30,000 m^3$, $d = 2 m$

where:

V_c corresponds to 100% of the gross design volume of the individual cargo tank at 20°C, including domes and appendages (see Fig. N2.1 and Fig. N2.2). For the purpose of cargo tank protective distances, the cargo tank volume is the aggregate volume of all the parts of tank that have a common bulkhead(s); and

" d " is measured at any cross section at a right angle from the moulded line of outer shell.

Tank size limitations may apply to type 1G ship cargoes in accordance with Chapter 17.

- (2) Types 2G /2PG: from the moulded line of the bottom shell plating at centreline not less than the vertical extent of damage specified in Table N2.2 and nowhere less than " d " as specified in (1) above. (see Fig. N2.1 and Fig. N2.3)
- (3) Type 3G ships: from the moulded line of the bottom shell at centreline not less than the vertical extent of damage specified in 2.3 and 2.5 and nowhere less than " d ", where " d " = 0.8 m from the moulded line of outer shell (see Fig. N2.1 and Fig. N2.4).

2.4.2 Vertical Extent of Bottom Damage

For the purpose of tank location, the vertical extent of bottom damage is to be measured to the inner bottom when membrane or semi-membrane tanks are used, otherwise to the bottom of the cargo tanks. The transverse extent of side damage is to be measured to the longitudinal bulkhead when membrane or semi-membrane tanks are used, otherwise to the side of the cargo tanks. The distances indicated in 2.3 and 2.5 are to be applied as in Fig. N2.5 to Fig. N2.9. These distances are to be measured plate to plate, from the moulded line to the moulded line, excluding insulation.

2.4.3 Suction Wells*

Except for type 1G ships, suction wells installed in cargo tanks may protrude into the vertical extent of bottom damage specified in Table N2.2 provided that such wells are as small as practicable and the protrusion below the inner bottom plating does not exceed 25% of the depth of the double bottom or 350 mm, whichever is less. Where there is no double bottom, the protrusion below the upper limit of bottom damage is not to exceed 350 mm. Suction wells installed in accordance with this paragraph may be ignored in determining the compartments affected by damage.

2.4.4 Location of Cargo Tanks

Cargo tanks are not to be located forward of the collision bulkhead.

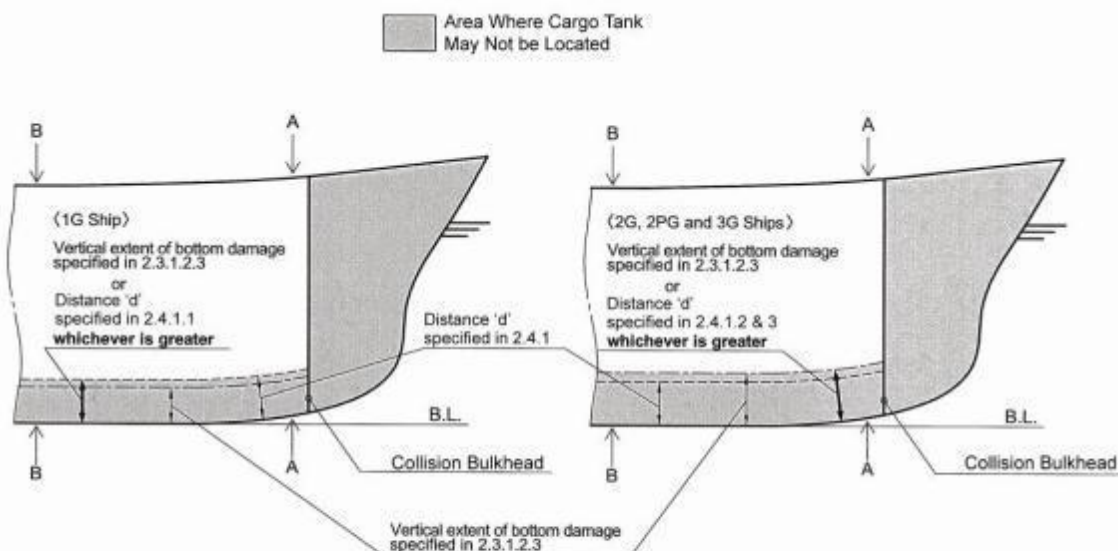
Table N2.1 Side Damage

Direction	Extent of Damage
Longitudinal extent:	$1/3L_f^{2/3}$ or 14.5 m, whichever is less
Transverse extent:	$B_f/5$ or 11.5 m whichever is less (measured inboard from the moulded line of the outer shell at right angles to the centreline at the level of the summer load line)
Vertical extent:	upwards without limit (from the moulded line of the outer shell)

Table N2.2 Bottom Damage

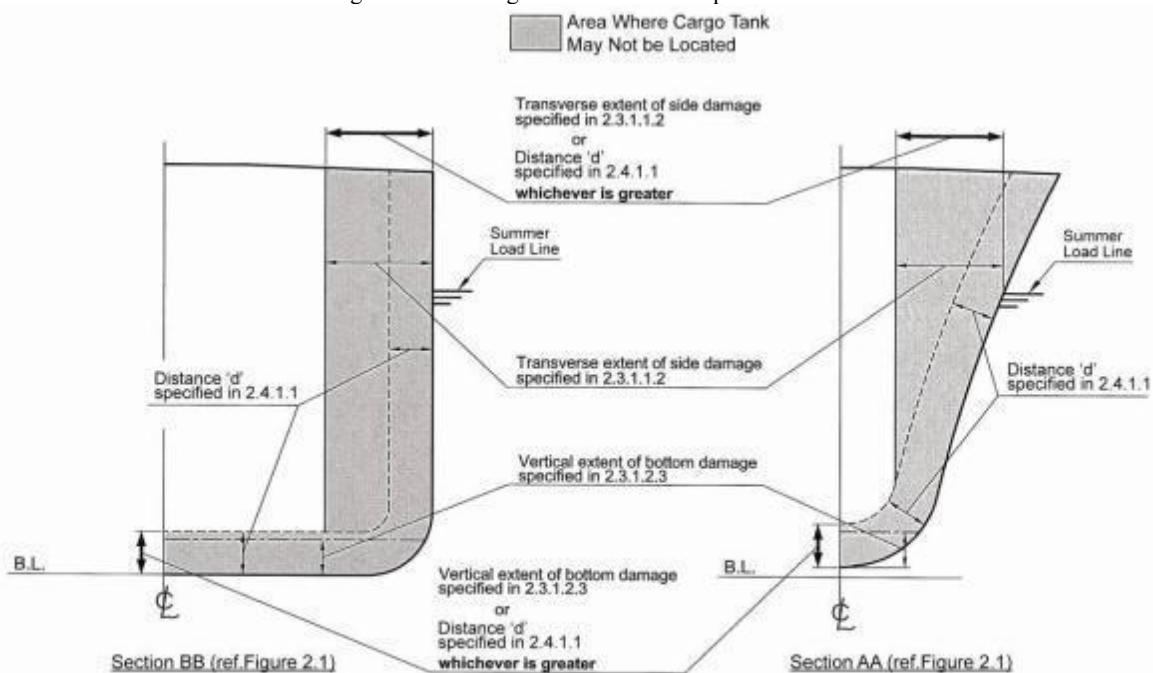
Direction	Extent of Damage	
	For $0.3L_f$ from the forward perpendicular of the ship	Any other part of the ship
Longitudinal extent:	$1/3L_f^{2/3}$ or 14.5m, whichever is less	$1/3L_f^{2/3}$ or 14.5m, whichever is less
Transverse extent:	$B_f/6$ or 10 m, whichever is less	$B_f/6$ or 5 m, whichever is less
Vertical extent:	$B_f/15$ or 2 m, whichever is less (measured from the moulded line of the bottom shell plating at centerline (see 2.4.3).)	$B_f/15$ or 2 m, whichever is less (measured from the moulded line of the bottom shell plating at centerline (see 2.4.3).)

Fig. N2.1 Cargo Tank Location Requirements



Centreline Profile - Type 1G, 2G, 2PG and 3G Ships

Fig. N2.2 Cargo Tank Location Requirements



Transverse Sections - Type 1G Ship

Fig. N2.3 Cargo Tank Location Requirements

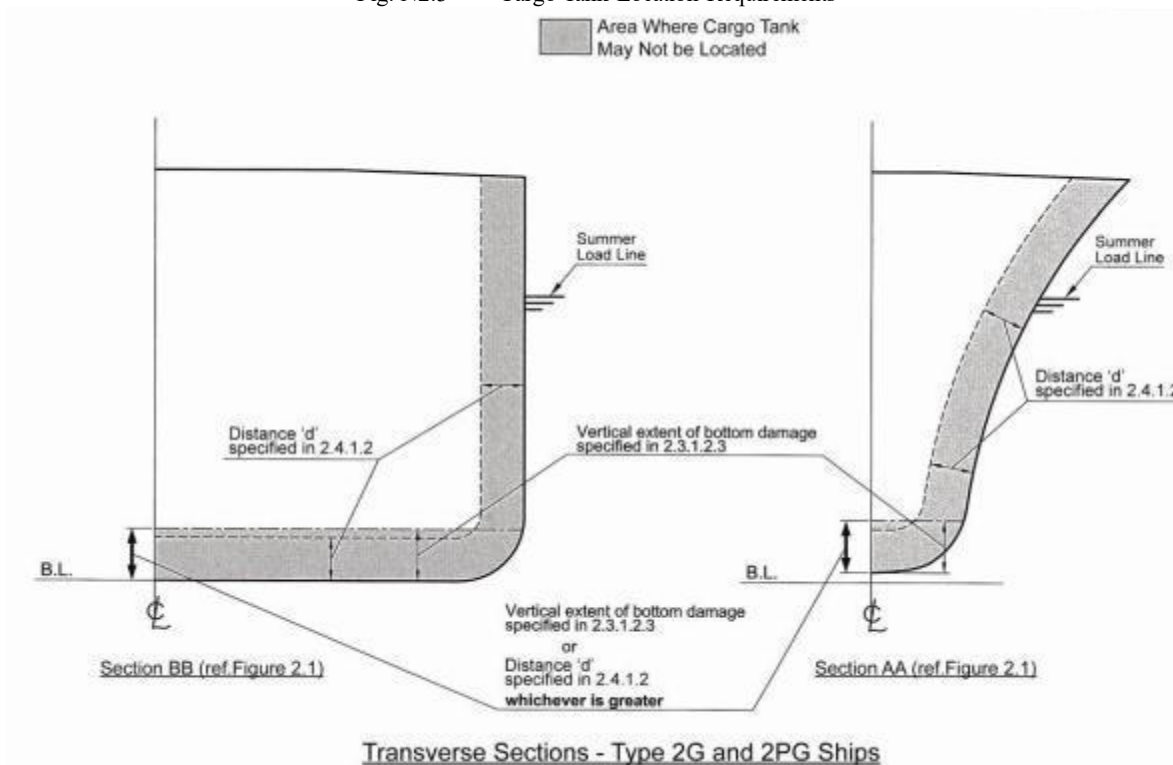


Fig. N2.4 Cargo Tank Location Requirements

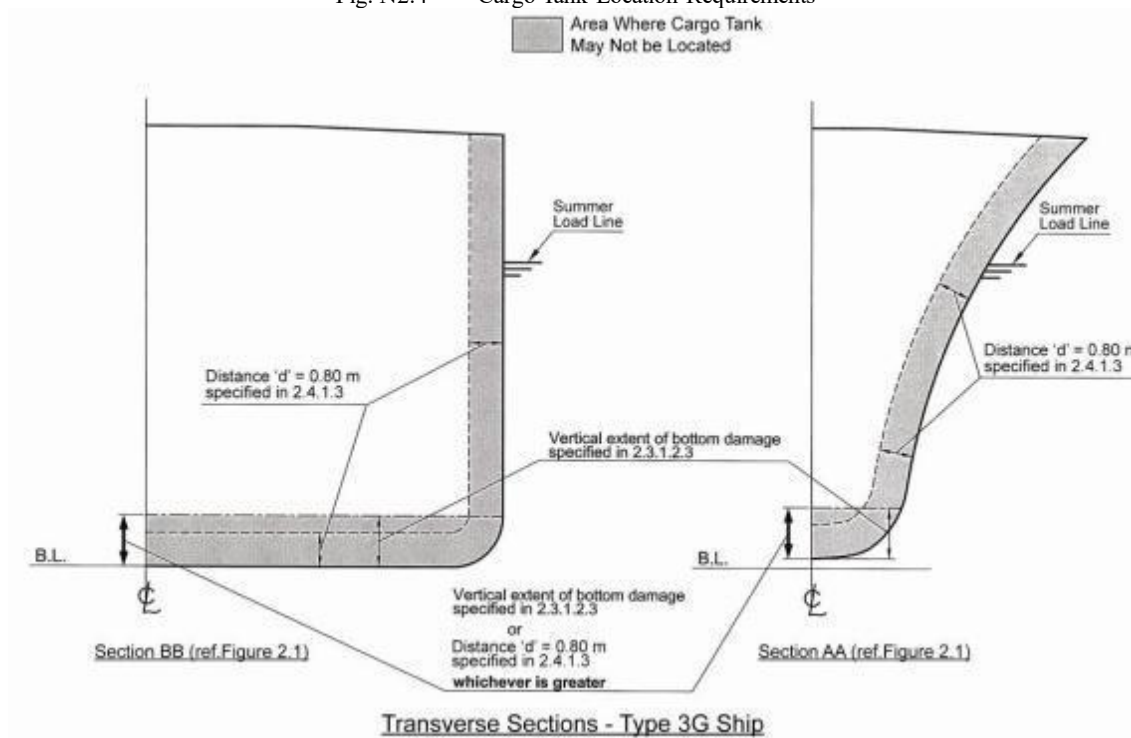
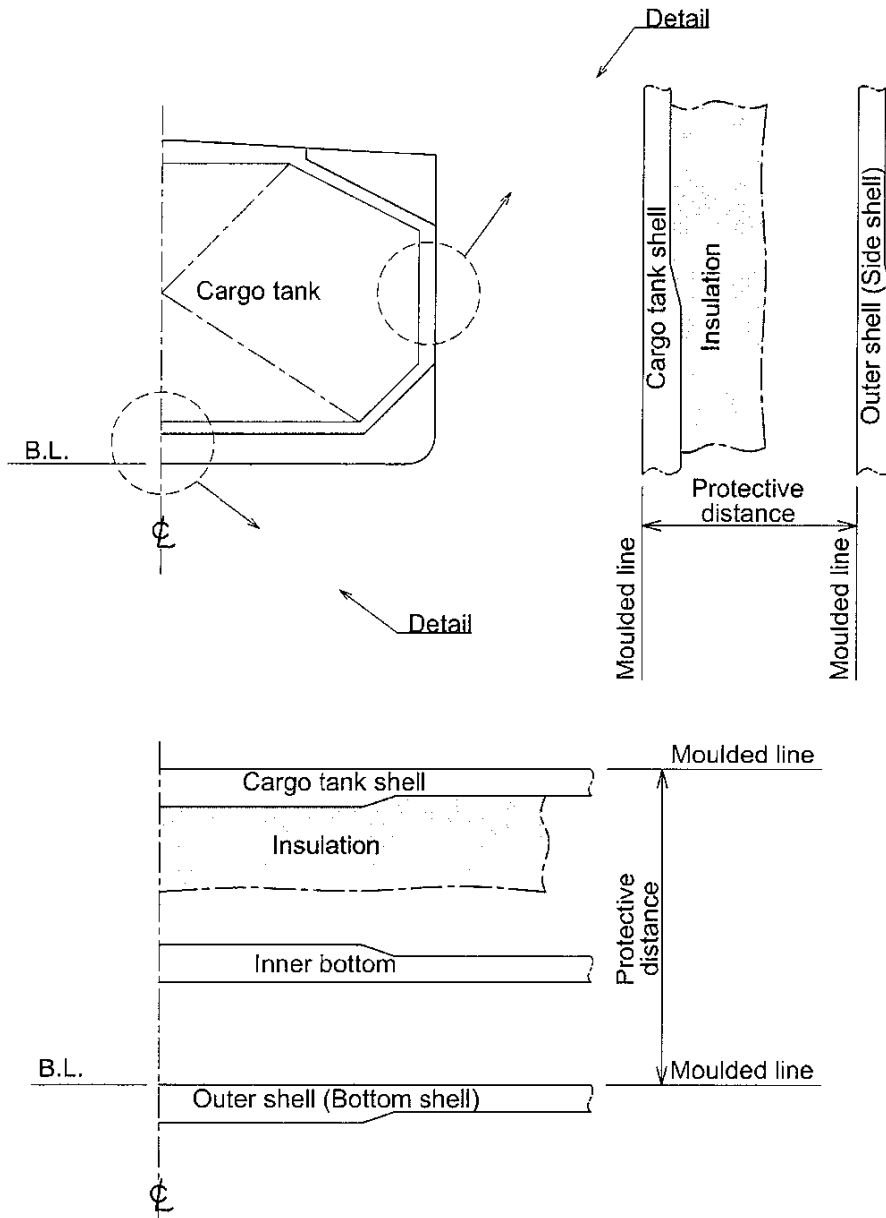
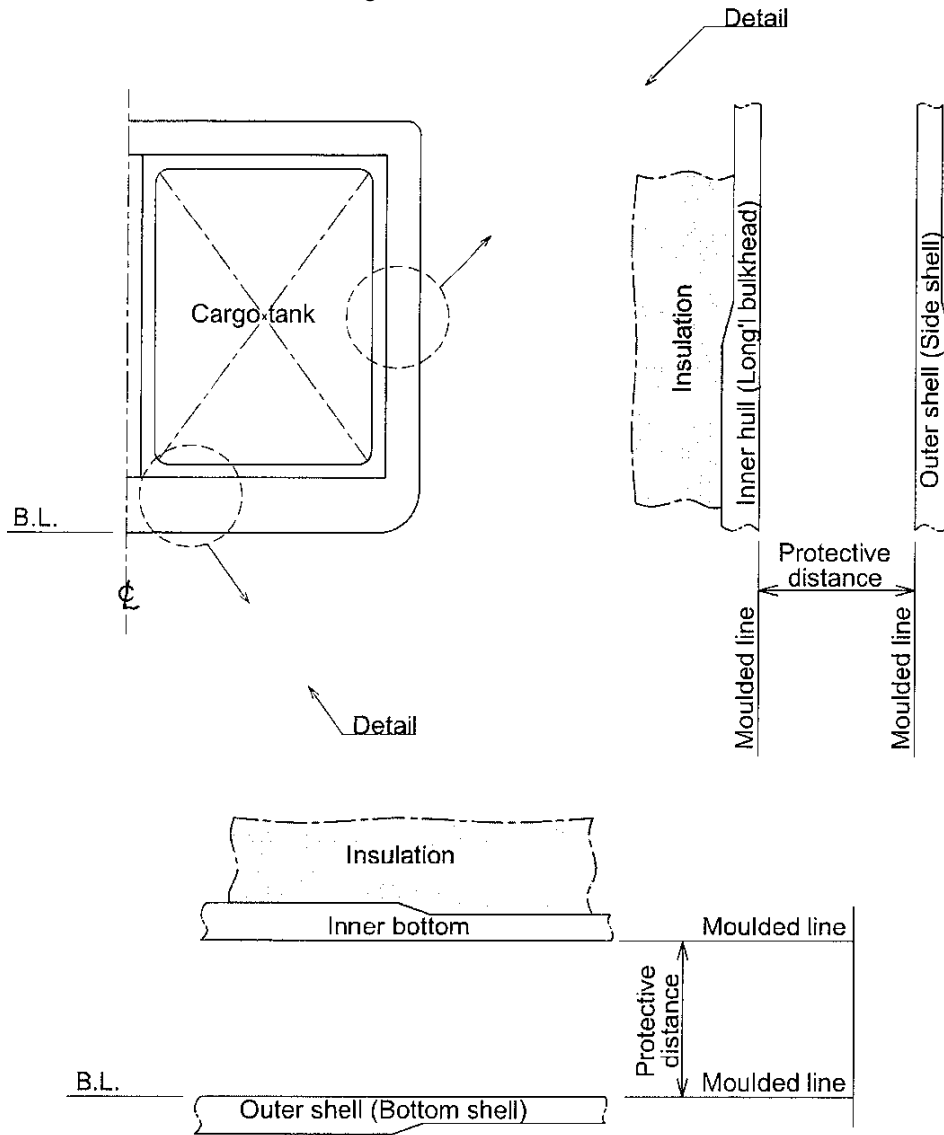


Fig. N2.5 Protective Distance



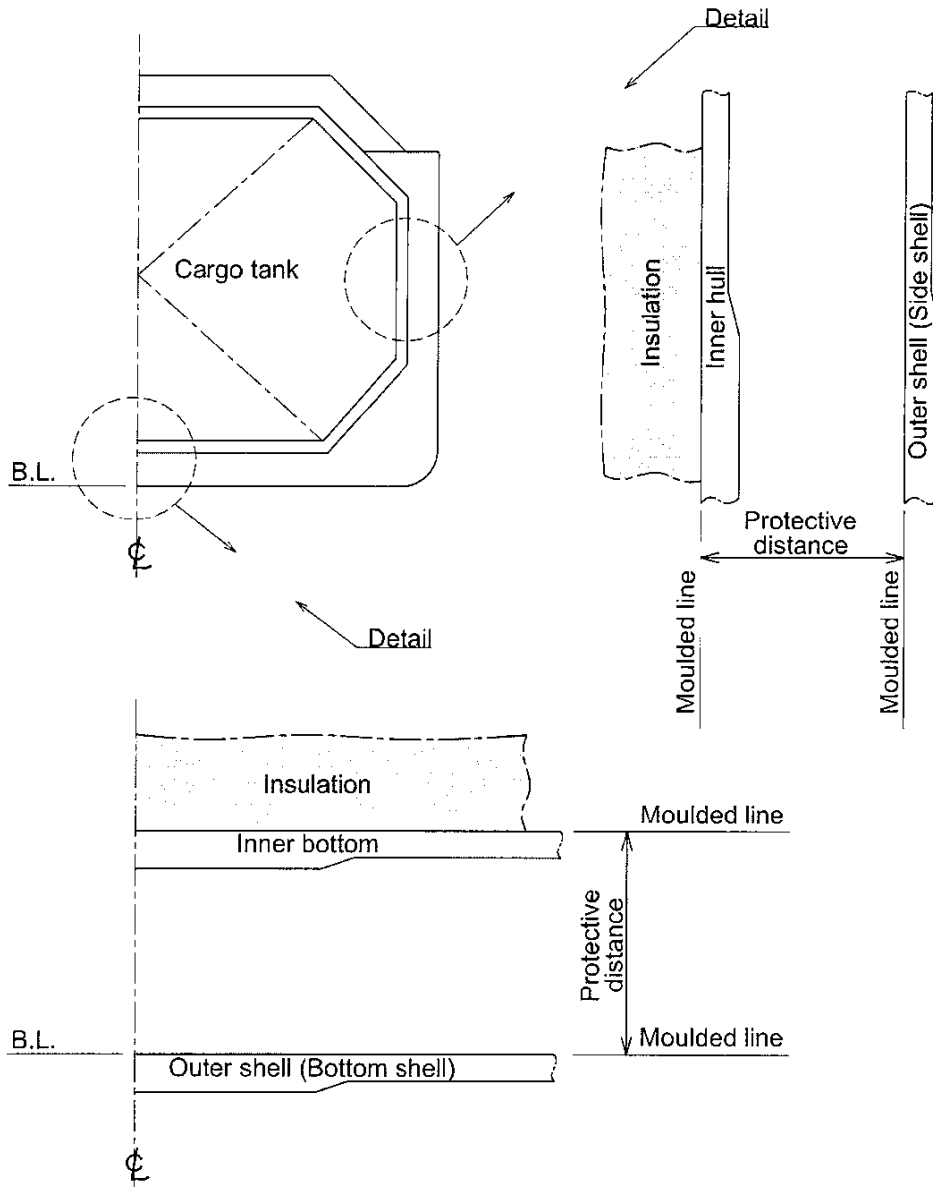
Independent prismatic tank

Fig. N2.6 Protective Distance



Semi-membrane tank

Fig. N2.7 Protective Distance



Membrane tank

Fig. N2.8 Protective Distance

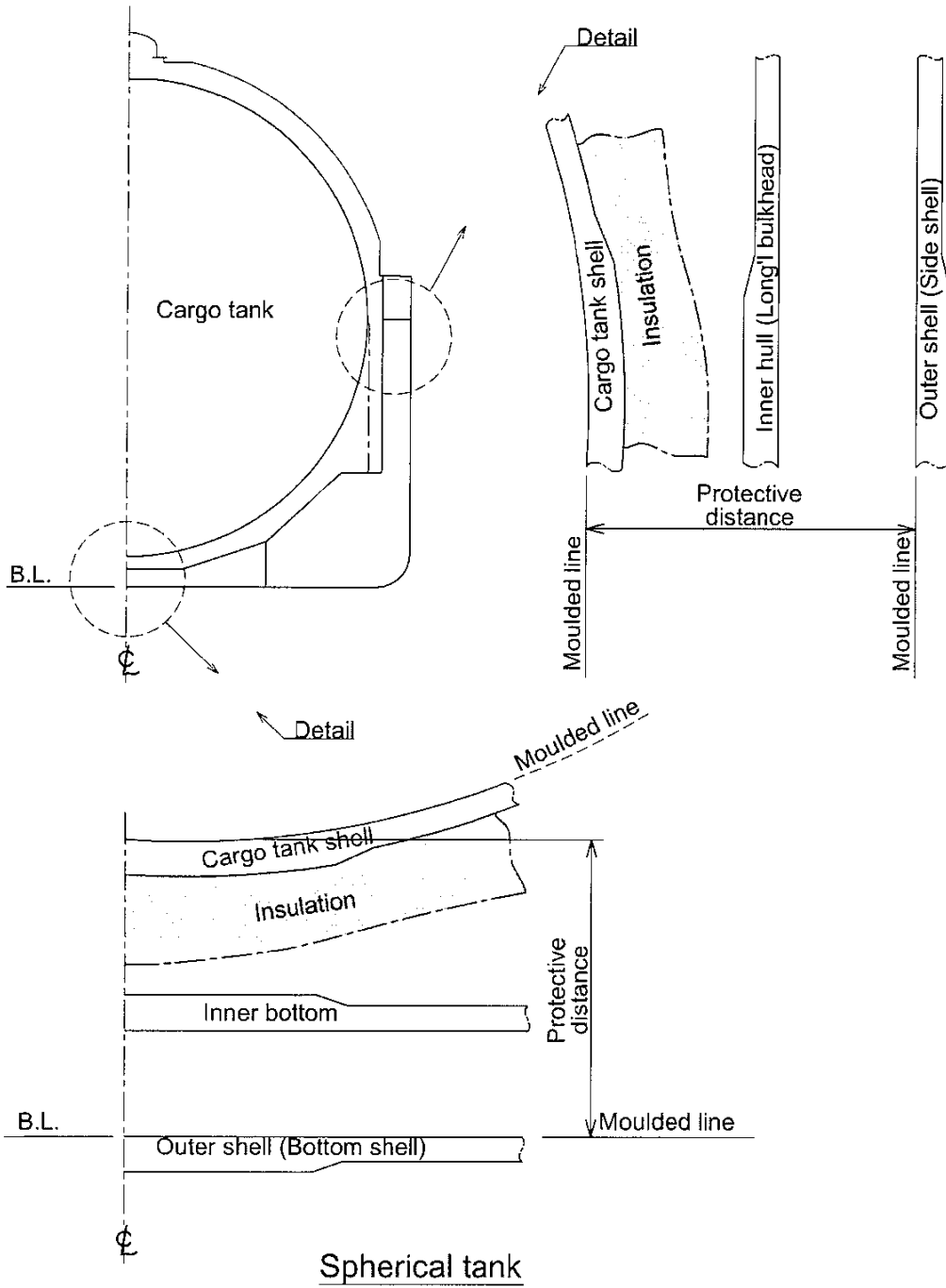
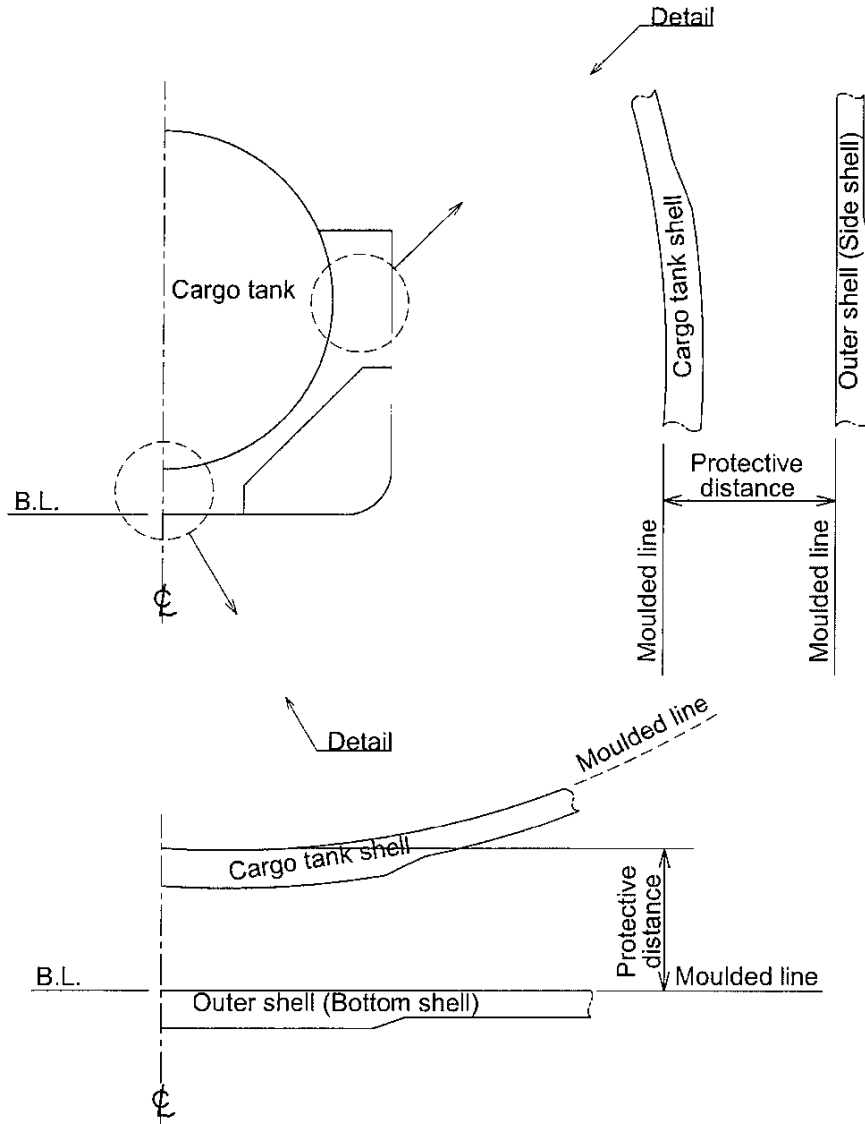


Fig. N2.9 Protective Distance



Pressure type tank

2.5 Flooding Assumptions (IGC Code 2.5)

2.5.1 General*

The requirements of 2.7 are to be confirmed by calculations which take into consideration the design characteristics of the ship; the arrangements, configuration and contents of the damaged compartments; the distribution, relative densities and the free surface effects of liquids and the draught and trim for all conditions of loading.

2.5.2 Permeability*

The permeabilities of spaces assumed to be damaged are to be in accordance with Table N2.3.

Table N2.3 Permeabilities of space

Spaces	Permeabilities
Appropriated to stores	0.60
Occupied by accommodation	0.95
Occupied by machinery	0.85
Voids	0.95
Hold Spaces	0.95 ⁽¹⁾
Intended for consumable liquids	0 to 0.95 ⁽²⁾
Intended for other liquids	0 to 0.95 ⁽²⁾

Note:

- (1) Other values of permeability can be considered based on the detailed calculations. (*MSC/Circ.651* is referred).
- (2) The permeability of partially filled compartments is to be consistent with the amount of liquid carried in the compartment.

2.5.3 Damage of Tanks Containing Liquids

Wherever damage penetrates a tank containing liquids, it is to be assumed that the contents are completely lost from that compartment and replaced by salt water up to the level of the final plane of equilibrium.

2.5.4 Damage of Transverse Bulkheads*

Where the damage between transverse watertight bulkheads is envisaged as specified in 2.6.1(4), (5), and (6), transverse bulkheads are to be spaced at least at a distance equal to the longitudinal extent of damage specified in Table N2.1 in order to be considered effective. Where transverse bulkheads are spaced at a lesser distance, one or more of these bulkheads within such extent of damage are to be assumed as non-existent for the purpose of determining flooded compartments. Further, any portion of a transverse bulkhead bounding side compartments or double bottom compartments is to be assumed damaged if the watertight bulkhead boundaries are within the extent of vertical or horizontal penetration required by 2.3. Also, any transverse bulkhead is to be assumed damaged if it contains a step or recess of more than 3 m in length located within the extent of penetration of assumed damage. The step formed by the after peak bulkhead and after peak tank top is not to be regarded as a step for the purpose of this paragraph.

2.5.5 Unsymmetrical Flooding

The ship is to be so designed as to keep unsymmetrical flooding to the minimum consistent with efficient arrangements.

2.5.6 Equalization Arrangements*

Equalization arrangements requiring mechanical aids such as valves or cross-levelling pipes, if fitted, are not to be considered for the purpose of reducing an angle of heel or attaining the minimum range of residual stability to meet the requirements of 2.7.1-2 and sufficient residual stability is to be maintained during all stages where equalization is used. Spaces which are linked by ducts of large cross-sectional area may be considered to be common.

2.5.7 Progressive Flooding*

If pipes, ducts, trunks or tunnels are situated within the assumed extent of damage penetration, as defined in 2.3, arrangements are to be such that progressive flooding cannot thereby extend to compartments other than those assumed to be flooded for each case of damage.

2.5.8 Buoyancy of Superstructure*

The buoyancy of any superstructure directly above the side damage is to be disregarded. The unflooded parts of superstructures beyond the extent of damage, however, may be taken into consideration provided that:

- (1) They are separated from the damaged space by watertight divisions and the requirements of **2.7.1-2(1)** in respect of these intact spaces are complied with; and
- (2) Openings in such divisions are capable of being closed by remotely operated sliding watertight doors and unprotected openings are no immersed within the minimum range of residual stability required in **2.7.1-3(1)**; however the immersion of any other openings capable of being closed weathertight may be permitted.

2.6 Standard of Damage (IGC Code 2.6)

2.6.1 General*

Ships are to be capable of surviving the damage indicated in **2.3** with the flooding assumptions in **2.5** to the extent determined by the ship's type according to the following standards:

- (1) A type 1G ship is to be assumed to sustain damage anywhere in its length;
- (2) A type 2G ship of more than 150 m in length is to be assumed to sustain damage anywhere in its length;
- (3) A type 2G ship of 150 m in length or less is to be assumed to sustain damage anywhere in its length except involving either of the bulkheads bounding a machinery space located aft;
- (4) A type 2PG ship is to be assumed to sustain damage anywhere in its length except involving transverse bulkheads spaced further apart than the longitudinal extent of damage as specified in **Table N2.1**;
- (5) A type 3G ship of 80 m in length or more is to be assumed to sustain damage anywhere in its length except involving transverse bulkheads spaced further apart than the longitudinal extent of damage specified in **Table N2.1**;
- (6) A type 3G ship less than 80 m in length is to be assumed to sustain damage anywhere in its length except involving transverse bulkheads spaced further apart than the longitudinal extent of damage specified in **Table N2.1** and except damage involving the machinery space when located aft.

2.6.2 Standard for Small Ship

In the case of small type 2G /2PG and 3G ships which do not comply in all respects with the appropriate requirements of **2.6.1(3)**, **(4)** and **(6)**, special dispensations may only be considered by the Society provided that alternative measures can be taken which maintain the same degree of safety.

2.7 Survival Requirements

2.7.1 Survival Requirements (IGC Code 2.7)*

1 Ships are to be capable of surviving the assumed damage specified in **2.3** to the standard provided in **2.6** in a condition of stable equilibrium and are to satisfy the following criteria.

2 In any stage of flooding

- (1) The waterline, taking into account sinkage, heel and trim, is to be below the lower edge of any opening through which progressive flooding or downflooding may take place. Such openings are to include air pipes and openings which are closed by means of weathertight doors or hatch covers and may exclude those openings closed by means of watertight manhole covers and watertight flush scuttles, small watertight cargo tank hatch covers which maintain the high integrity of the deck, remotely operated watertight sliding doors, hinged watertight access doors with open/closed indication locally and at the navigation bridge of the quick-acting or single-action type that are normally closed at sea, hinged watertight doors that are permanently closed at sea, and sidescuttles of the non-opening type;
- (2) The maximum angle of heel due to unsymmetrical flooding is not to exceed 30 degrees; and
- (3) The residual stability during intermediate stages of flooding is not to be less than that required by **-3(1)**.

3 At final equilibrium after flooding

- (1) The righting lever curve is to have a minimum range of 20 degrees beyond the position of equilibrium in association with a maximum residual righting lever of at least 0.1 m within the 20 degrees range the area under the curve within this range is not to be less than $0.0175 m \cdot rad$. The 20 degrees range may be measured from any angle commencing between the position of equilibrium and the angle of 25 degrees (or 30 degrees if no deck immersion occurs). Unprotected openings are not to be immersed within this range unless the space concerned is assumed to be flooded. Within this range, the immersion of any

of the openings listed in **-2(1)** and other openings capable of being closed weathertight may be permitted and

(2) The emergency source of power is to be capable of operating.

2.8 Operating Requirements

2.8.1 Application

The provisions in **2.8** are not related to surveys necessary for the maintenance of classification, but indicate those matters which are to be strictly observed by the shipowner or the ship master as well as all other persons responsible for the ship's operation.

2.8.2 Stability (Related to IGC Code 2.2.2)

The stability of the ship during the loading and unloading of cargo in all seagoing conditions is to comply with the requirements in **Part U of the Rules**.

2.8.3 Stability Information (Related to IGC Code 2.2.5)

Cargo loading and ship operations are to be carried in a safe and appropriate manner for navigation in accordance with the ship's Stability Information Booklet.

2.8.4 Conditions of Loading (Related to IGC Code 2.2.8)

The conditions of loading are to be the satisfaction of damage survival capabilities determined in accordance with loading information submitted to the Society.

Chapter 3 SHIP ARRANGEMENTS

3.1 Segregation of the Cargo Area (*IGC Code 3.1*)

3.1.1 Segregation of the Hold Space*

Hold spaces are to be segregated from machinery and boiler spaces, accommodation spaces, service spaces, control stations, chain lockers, domestic water tanks and from stores. Hold spaces are to be located forward of machinery spaces of category *A*. Alternative arrangements, including locating machinery spaces of category *A* forward, may be accepted, based on **Chapter 17, Part R**, after further consideration of involved risks, including that of cargo release and the means of mitigation.

3.1.2 In case of a Cargo Containment System Not Requiring a Complete or Partial Secondary Barrier*

Where cargo is carried in a cargo containment system not requiring a complete or partial secondary barrier, segregation of hold spaces from spaces referred to in **3.1.1** or spaces either below or outboard of the hold spaces may be effected by cofferdams, oil fuel tanks or a single gastight bulkhead of allwelded construction forming an *A-60* class division. A gastight *A-0* class division is acceptable if there is no source of ignition or fire hazard in the adjoining spaces.

3.1.3 In case of a Cargo Containment System Requiring a Complete or Partial Secondary Barrier*

Where cargo is carried in a cargo containment system requiring a complete or partial secondary barrier, segregation of hold spaces from spaces referred to in **3.1.1**, or spaces either below or outboard of the hold spaces that contain a source of ignition or fire hazard, is to be effected by cofferdams or oil fuel tanks. A gastight *A-0* class division is acceptable if there is no source of ignition or fire hazard in the adjoining spaces.

3.1.4 Turret Compartments Segregation

Turret compartments segregation from spaces referred to in **3.1.1**, or spaces either below or outboard of the turret compartment that contain a source of ignition or fire hazard, are to be effected by cofferdams or an *A-60* class division. A gastight *A-0* class division is acceptable if there is no source of ignition or fire hazard in the adjoining spaces.

3.1.5 The Risk Analysis of the Turret Compartments

In addition to **3.1.1** to **3.1.4**, the risk of fire propagation from turret compartments to adjacent spaces are to be evaluated by a risk analysis (*see 1.1.4*) and further preventive measures, such as the arrangement of a cofferdam around the turret compartment, are to be provided if needed.

3.1.6 Segregation from the Sea

When cargo is carried in a cargo containment system requiring a complete or partial secondary barrier:

- (1) At temperatures below -10°C , hold spaces are to be segregated from the sea by a double bottom; and
- (2) At temperatures below -55°C , the ship is also to have a longitudinal bulkhead forming side tanks.

3.1.7 Openings for Cargo Containment System*

Arrangements are to be made for sealing the weather decks in way of openings for cargo containment systems.

3.2 Accommodation, Service and Machinery Spaces and Control Stations (*IGC Code 3.2*)

3.2.1 Segregation of Hold Spaces Requiring a Secondary Barrier*

No accommodation space, service space or control station is to be located within the cargo area. The bulkhead of accommodation spaces, service spaces or control stations that face the cargo area is to be so located as to avoid the entry of gas from the hold space to such spaces through a single failure of a deck or bulkhead on a ship having a containment system requiring a secondary barrier.

3.2.2 Location of Air Intakes and Openings*

To guard against the danger of hazardous vapours, due consideration is to be given to the location of air intakes/outlets and openings into accommodation, service and machinery spaces and control stations in relation to cargo piping, cargo vent systems and machinery space exhausts from gas burning arrangements.

3.2.3 Access from a Non-hazardous Area to a Hazardous Area

Access through doors, gastight or otherwise, is not to be permitted from a non-hazardous area to a hazardous area except for access to service spaces forward of the cargo area through airlocks, as permitted by 3.6.1, when accommodation spaces are aft.

3.2.4 Arrangements of Entrances, Air Inlets and Openings*

1 Entrances, air inlets and openings to accommodation spaces, service spaces, machinery spaces and control stations are not to face the cargo area. They are to be located on the end bulkhead not facing the cargo area or on the outboard side of the superstructure or deckhouse or on both at a distance of at least 4% of the length (L) of the ship but not less than 3 m from the end of the superstructure or deckhouse facing the cargo area. This distance, however, need not exceed 5 m .

2 Windows and sidescuttles facing the cargo area and on the sides of the superstructures or deckhouses within the distance mentioned above are to be of the fixed (non-opening) type. Wheelhouse windows may be non-fixed and wheelhouse doors may be located within the above limits so long as they are designed in a manner that a rapid and efficient gas and vapour tightening of the wheelhouse can be ensured.

3 For ships dedicated to the carriage of cargoes that have neither flammable nor toxic hazards, the Society may approve relaxations from the above requirements.

4 Accesses to forecastle spaces containing sources of ignition may be permitted through a single door facing the cargo area, provided the doors are located outside hazardous areas as defined in Chapter 10 of this Part.

3.2.5 Windows and Sidescuttles*

Windows and sidescuttles facing the cargo area and on the sides of the superstructures and deckhouses within the limits specified in 3.2.4, except wheelhouse windows, are to be constructed to A-60 class. Sidescuttles in the shell below the uppermost continuous deck and in the first tier of the superstructure or deckhouse is to be of fixed (non-opening) type.

3.2.6 Closing Devices of Air Intakes, Outlets and Other Openings*

All air intakes, outlets and other openings into the accommodation spaces, service spaces and control stations are to be fitted with closing devices. When carrying toxic products, they are to be capable of being operated from inside the space. The requirement for fitting air intakes and openings with closing devices operated from inside the space for toxic products need not apply to spaces not normally manned, such as deck stores, forecastle stores, workshops. In addition, the requirement does not apply to cargo control rooms located within the cargo area.

3.2.7 Access to Spaces with Turret Systems, etc.

Control rooms and machinery spaces of turret systems may be located in the cargo area forward or aft of cargo tanks in ships with such installations. Access to such spaces containing sources of ignition may be permitted through doors facing the cargo area, provided the doors are located outside hazardous areas or access is through airlocks.

3.3 Cargo Machinery Spaces and Turret Compartments (IGC Code 3.3)**3.3.1 Location***

Cargo machinery spaces are to be situated above the weather deck and located within the cargo area. Cargo machinery spaces and turret compartments are to be treated as cargo pump rooms for the purpose of fire protection according to 9.2.4, Part R, and for the purpose of prevention of potential explosion according to 4.5.10, Part R.

3.3.2 Extension of the Limits of the Cargo Area*

When cargo machinery spaces are located at the after end of the aftermost hold space or at the forward end of the foremost hold space, the limits of the cargo area, as defined in 1.1.5(6), are to be extended to include the cargo machinery spaces for the full breadth and depth of the ship and the deck areas above those spaces.

3.3.3 Bulkheads of the Cargo Machinery Spaces*

Where the limits of the cargo area are extended by 3.3.2, the bulkhead that separates the cargo machinery spaces from accommodation and service spaces, control stations and machinery spaces of category A is to be located so as to avoid the entry of gas to these spaces through a single failure of a deck or bulkhead.

3.3.4 Cargo Compressors and Cargo Pumps*

Cargo compressors and cargo pumps may be driven by electric motors in an adjacent non-hazardous space separated by a bulkhead or deck, if the seal around the bulkhead penetration ensures effective gastight segregation of the two spaces. Alternatively,

such equipment may be driven by certified safe electric motors adjacent to them if the electrical installation complies with the requirements of **Chapter 10 of this Part**.

3.3.5 Access of Cargo Machinery Spaces and Turret Compartments

Arrangements of cargo machinery spaces and turret compartments are to ensure safe unrestricted access for personnel wearing protective clothing and breathing apparatus, and in the event of injury to allow unconscious personnel to be removed. At least two widely separated escape routes and doors are to be provided in cargo machinery spaces, except that a single escape route may be accepted where the maximum travel distance to the door is 5 m or less.

3.3.6 Drainage*

All valves necessary for cargo handling are to be readily accessible to personnel wearing protective clothing. Suitable arrangements are to be made to deal with drainage of pump and compressor rooms.

3.3.7 Structural Integrity of Turret Compartments

Turret compartments are to be designed to retain their structural integrity in case of explosion or uncontrolled high-pressure gas release (overpressure and/or brittle fracture), the characteristics of which are to be substantiated on the basis of a risk analysis with due consideration of the capabilities of the pressure relieving devices.

3.4 Cargo Control Rooms (IGC Code 3.4)

3.4.1 Location*

Any cargo control room is to be above the weather deck and may be located in the cargo area. The cargo control room may be located within the accommodation spaces, service spaces or control stations provided the following conditions are complied with:

- (1) the cargo control room is a non-hazardous area;
- (2) if the entrance complies with **3.2.4-1**, the control room may have access to the spaces described above; and
- (3) if the entrance does not comply with **3.2.4-1**, the cargo control room is to have no access to the spaces described above and the boundaries for such spaces are to be insulated to A-60 class.

3.4.2 Instrumentation

If the cargo control room is designed to be a non-hazardous area, instrumentation is, as far as possible, to be by indirect reading systems and, in any case, to be designed to prevent any escape of gas into the atmosphere of that space. Location of the gas detection system within the cargo control room will not cause the room to be classified as a hazardous area, if installed in accordance with **13.6.11**.

3.4.3 Source of Ignition*

If the cargo control room for ships carrying flammable cargoes is classified as a hazardous area, sources of ignition are to be excluded and any electrical equipment is to be installed in accordance with **Chapter 10 of this Part**.

3.5 Access to Spaces in the Cargo Area (IGC Code 3.5)

3.5.1 Access for Inspection of Inner Hull

Visual inspection of at least one side of the inner hull structure is to be possible without the removal of any fixed structure or fitting. If such a visual inspection, whether combined with those inspections required in **3.5.2**, **4.6.2(4)** or **4.20.3-7** or not, is only possible at the outer face of the inner hull, the inner hull is not to be a fuel-oil tank boundary wall.

3.5.2 Access for Inspection of Insulation*

Inspection of one side of any insulation in hold spaces is to be possible. If the integrity of the system can be verified by inspection of the outside of the hold space boundary when tanks are at service temperature, inspection of one side of the insulation in the hold space need not be required.

3.5.3 Access to Hold Spaces, etc.*

Arrangements for hold spaces, void spaces, cargo tanks and other spaces classified as hazardous areas, are to be such as to allow entry and inspection of any such space by personnel wearing protective clothing and breathing apparatus and are also to allow for the evacuation of injured and/or unconscious personnel. Such arrangements are to comply with the following:

- (1) Access is to be provided as follows:

- (a) access to all cargo tanks. Access is to be direct from the weather deck;
 - (b) access through horizontal openings, hatches or manholes. The dimensions are to be sufficient to allow a person wearing a breathing apparatus to ascend or descend any ladder without obstruction, and also to provide a clear opening to facilitate the hoisting of an injured person from the bottom of the space. The minimum clear opening is to be not less than $600\text{ mm} \times 600\text{ mm}$;
 - (c) access through vertical openings or manholes providing passage through the length and breadth of the space. The minimum clear opening is to be not less than $600\text{ mm} \times 800\text{ mm}$ at a height of not more than 600 mm from the bottom plating unless gratings or other footholds are provided; and
 - (d) circular access openings to type *C* tanks are to have a diameter of not less than 600 mm .
- (2) The dimensions referred to in **(1)(b)** and **(c)** may be decreased, if the requirements of **3.5.3** can be met to the satisfaction of the Society.
- (3) Where cargo is carried in a containment system requiring a secondary barrier, the requirements of **(1)(b)** and **(c)** do not apply to spaces separated from a hold space by a single gastight steel boundary. Such spaces are to be provided only with direct or indirect access from the weather deck, not including any enclosed non-hazardous area.
- (4) Access required for inspection is to be a designated access through structures below and above cargo tanks, which are to have at least the cross-sections as required by **(1)(c)**.
- (5) For the purpose of **3.5.1** or **3.5.2**, the following is to apply:
- (a) where it is required to pass between the surface to be inspected, flat or curved, and structures such as deck beams, stiffeners, frames, girders, etc., the distance between that surface and the free edge of the structural elements are to be at least 380 mm . The distance between the surface to be inspected and the surface to which the above structural elements are fitted, e.g. deck, bulkhead or shell, are to be at least 450 mm for a curved tank surface (e.g. for a type *C* tank), or 600 mm for a flat tank surface (e.g. for a type *A* tank) (see **Fig. N3.1**);
 - (b) where it is not required to pass between the surface to be inspected and any part of the structure, for visibility reasons the distance between the free edge of that structural element and the surface to be inspected are to be at least 50 mm or half the breadth of the structure's face plate, whichever is the larger (see **Fig. N3.2**);
 - (c) if for inspection of a curved surface where it is required to pass between that surface and another surface, flat or curved, to which no structural elements are fitted, the distance between both surfaces is to be at least 380 mm (see **Fig. N3.3**). Where it is not required to pass between that curved surface and another surface, a smaller distance than 380 mm may be accepted taking into account the shape of the curved surface;
 - (d) if for inspection of an approximately flat surface where it is required to pass between two approximately flat and approximately parallel surfaces, to which no structural elements are fitted, the distance between those surfaces are to be at least 600 mm . Where fixed access ladders are fitted, a clearance of at least 450 mm is to be provided for access (see **Fig. N3.4**);
 - (e) the minimum distances between a cargo tank sump and adjacent double bottom structure in way of a suction well are to be not less than those shown in **Fig. N3.5** (**Fig. N3.5** shows that the distance between the plane surfaces of the sump and the well is a minimum of 150 mm and that the clearance between the edge between the inner bottom plate, and the vertical side of the well and the knuckle point between the spherical or circular surface and sump of the tank is at least 380 mm). If there is no suction well, the distance between the cargo tank sump and the inner bottom are not to be less than 50 mm ;
 - (f) the distance between a cargo tank dome and deck structures are not to be less than 150 mm (see **Fig. N3.6**);
 - (g) fixed or portable staging is to be installed as necessary for inspection of cargo tanks, cargo tank supports and restraints (e.g. anti-pitching, anti-rolling and anti-flotation chocks), cargo tank insulation etc. This staging is not to impair the clearances specified in **(a)** to **(d)**; and
 - (h) if fixed or portable ventilation ducting is to be fitted in compliance with **12.1.2**, such ducting is not to impair the distances required under **(a)** to **(d)**.

Fig. N3.1

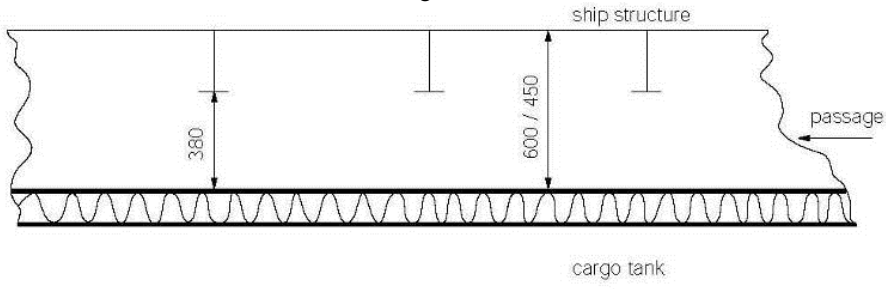


Fig. N3.2

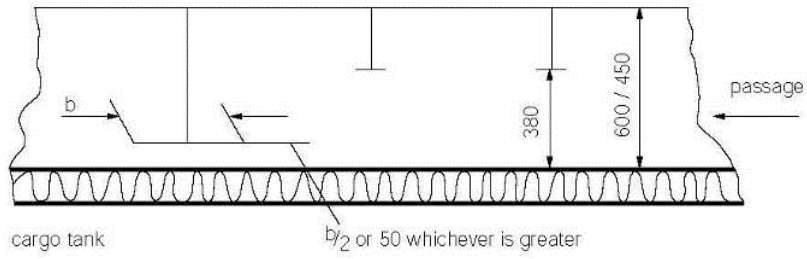


Fig. N3.3

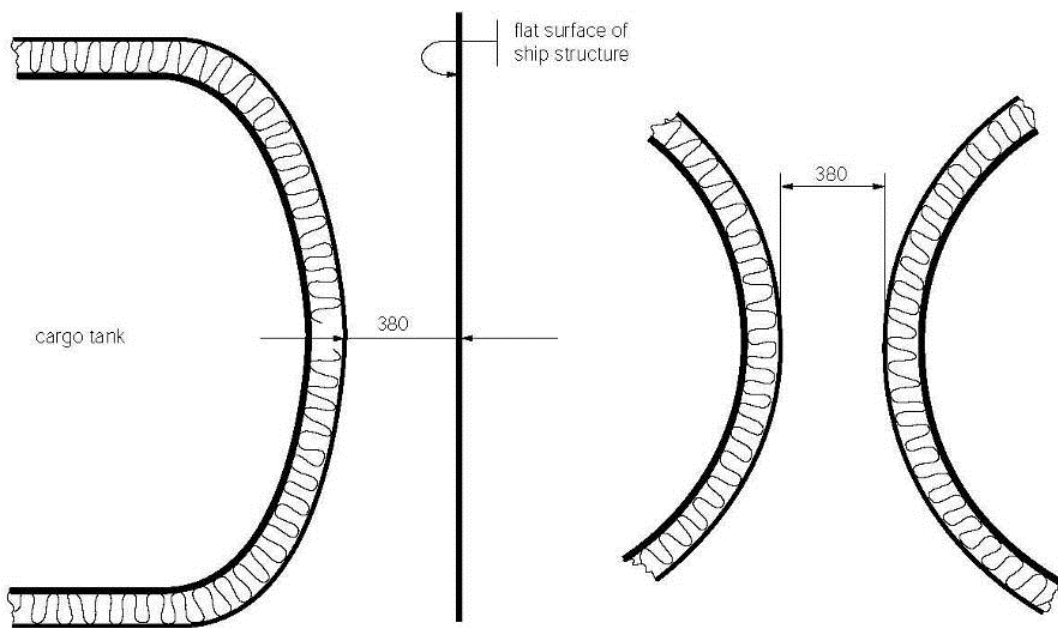


Fig. N3.4

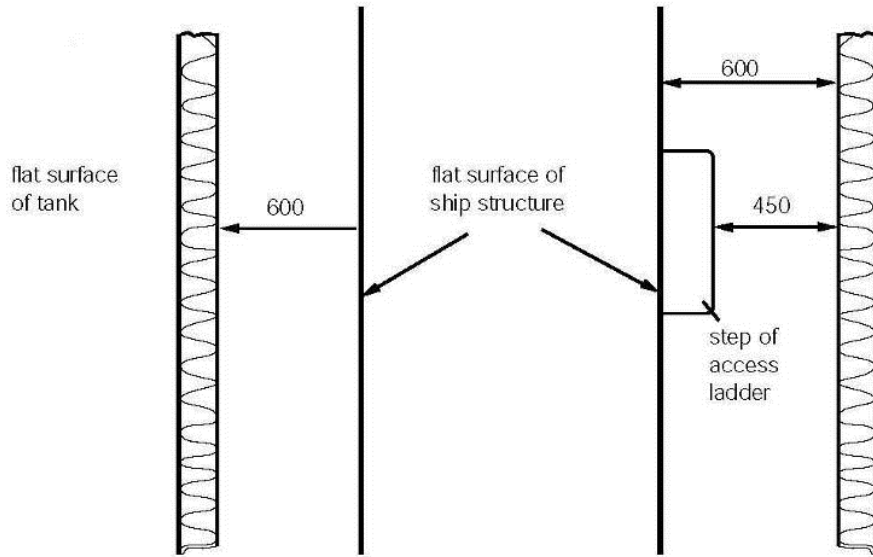


Fig. N3.5

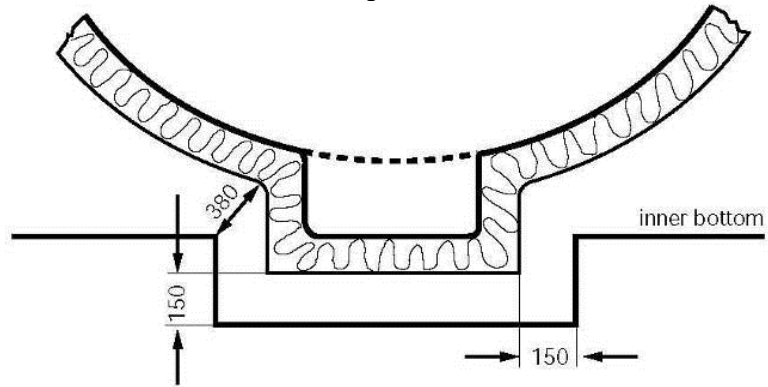
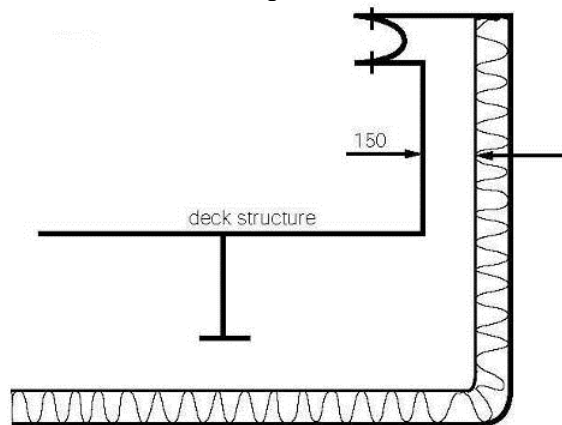


Fig. N3.6



3.5.4 Access to Non-hazardous Areas*

Access from the open weather deck to non-hazardous areas is to be located outside the hazardous areas as defined in **Chapter 10 of this Part**, unless the access is by means of an airlock in accordance with **3.6**.

3.5.5 Access/Egress to Turret Compartments

Turret compartments are to be arranged with two independent means of access/egress.

3.5.6 Access from a Hazardous Area to a Non-hazardous Area

Access from a hazardous area below the weather deck to a non-hazardous area is not permitted.

3.6 Airlocks (IGC Code 3.6)**3.6.1 Location of Gastight Doors***

Access between hazardous area on the open weather deck and non-hazardous spaces is to be by means of an airlock. This is to consist of two self-closing, substantially gastight, steel doors without any holding back arrangements, capable of maintaining the overpressure, at least 1.5 m but no more than 2.5 m apart. The airlock space is to be artificially ventilated from a non-hazardous area and maintained at an overpressure to the hazardous area on the weather deck.

3.6.2 Design and Arrangement of the Ventilation*

Where spaces are protected by pressurization, the ventilation is to be designed and installed in accordance with recognized standards.

3.6.3 Alarms of Non-closing

An audible and visible alarm system to give a warning on both sides of the airlock is to be provided. The visible alarm is to indicate if one door is open. The audible alarm is to sound if doors on both sides of the airlock are moved from the closed positions.

3.6.4 Maintenance of Overpressure in the Protected Space*

In ships carrying flammable products, electrical equipment that is located in spaces protected by airlocks and not of the certified safe type, is to be de-energized in case of loss of overpressure in the space.

3.6.5 Electrical Equipment in the Protected Space*

Electrical equipment for manoeuvring, anchoring and mooring, as well as emergency fire pumps that are located in spaces protected by airlocks, is to be of a certified safe type in accordance with **10.2.4**.

3.6.6 Monitoring of Cargo Vapour

The airlock space is to be monitored for cargo vapours (*see 13.6.2*).

3.6.7 Door Sill

Subject to the requirements of the **11.3, 14.6 and 14.7, Part 1, Part C** or **Chapters 18 and 19, Part CS**, the door sill is not to be less than 300 mm in height.

3.7 Bilge, Ballast and Oil Fuel Arrangements (IGC Code 3.7)**3.7.1 Drainage Arrangements Not Requiring a Secondary Barrier***

Where cargo is carried in a cargo containment system not requiring a secondary barrier, suitable drainage arrangements for the hold spaces that are not connected with the machinery space are to be provided. Means of detecting any leakage are to be provided.

3.7.2 Drainage Arrangements Requiring a Secondary Barrier*

Where there is a secondary barrier, suitable drainage arrangements for dealing with any leakage into the hold or insulation spaces through the adjacent ship structure are to be provided. The suction is not to lead to pumps inside the machinery space. Means of detecting such leakage are to be provided.

3.7.3 Drainage System of Interbarrier Spaces*

The hold or interbarrier spaces of Type *A* independent tank ships are to be provided with a drainage system suitable for handling liquid cargo in the event of cargo tank leakage or rupture. Such arrangements are to provide for the return of any cargo leakage to the liquid cargo piping.

3.7.4 Spool Piece

Arrangements referred to in **3.7.3** are to be provided with a removable spool piece.

3.7.5 Connection to Pumps in the Machinery Spaces*

1 Ballast spaces, including wet duct keels used as ballast piping, oil fuel tanks and non-hazardous spaces, may be connected to pumps in the machinery spaces.

2 Dry duct keels with ballast piping passing through may be connected to pumps in the machinery spaces, provided the connections are led directly to the pumps, and the discharge from the pumps is led directly overboard with no valves or manifolds in either line that could connect the line from the duct keel to lines serving non-hazardous spaces.

3 Pump vents are not to be open to machinery spaces.

3.8 Bow and Stern Loading and Unloading Arrangements (IGC Code 3.8)**3.8.1 General**

Subject to the requirements 3.8 of this section and Chapter 5 of this Part, cargo piping may be arranged to permit bow or stern loading and unloading.

3.8.2 Bow and Stern Loading and Unloading Arrangement for Individual Cargoes (Related to IGC Code 3.8.2)

Bow or stern loading and unloading lines that are led past accommodation spaces, service spaces or control stations are not to be used for the transfer of products requiring a type 1G ship. Bow or stern loading and unloading lines are not to be used for the transfer of toxic products as specified in 1.1.5(48), where the design pressure is above 2.5 MPa.

3.8.3 Portable Arrangements

Portable arrangements are not to be permitted.

3.8.4 Arrangements of Entrance, Air Inlets and Openings*

1 Entrances, air inlets and openings to accommodation spaces, service spaces, machinery spaces and controls stations, are not to face the cargo shore connection location of bow or stern loading and unloading arrangements. They are to be located on the outboard side of the superstructure or deckhouse at a distance of at least 4% of the length of the ship, but not less than 3 m from the end of the superstructure or deckhouse facing the cargo shore connection location of the bow or stern loading and unloading arrangements. This distance need not exceed 5 m.

2 Windows and sidescuttles facing the shore connection location and on the sides of the superstructure or deckhouse within the distance mentioned above is to be of the fixed (non-opening) type.

3 In addition, during the use of the bow or stern loading and unloading arrangements, all doors, ports and other openings on the corresponding superstructure or deckhouse side is to be kept closed.

4 Where, in the case of small ships, compliance with 3.2.4-1 to 3.2.4-4 and in -1 to -3 above is not possible, the Society may approve relaxations from the above requirements.

3.8.5 Closing of Deck Openings and Air Inlets

Deck openings and air inlets and outlets to spaces within distances of 10m from the cargo shore connection location are to be kept closed during the use of bow or stern loading or unloading arrangements.

3.8.6 Fire-fighting Arrangements

Fire-fighting arrangements for the bow or stern loading and unloading areas are to be in accordance with 11.3.1(4) and 11.4.6.

3.8.7 Means of Communication

Means of communication between the cargo control station and the shore connection location are to be provided and, where applicable, certified for use in hazardous areas.

3.9 Operating Requirements**3.9.1 Application**

The provisions in 3.9 are not related to surveys necessary for the maintenance of classification, but indicate those matters which are to be strictly observed by the shipowner or the ship master as well as all other persons responsible for the ship's operation.

3.9.2 Bow or Stern Loading and Unloading Arrangement for Individual Cargoes (Related to IGC Code 3.8.2)

Bow or stern loading and unloading lines that are led past accommodation spaces, service spaces or control stations are not to be used for the transfer of products requiring a type 1G ship. Bow or stern loading and unloading lines are not to be used for the

transfer of toxic products as specified in **1.1.5(48)**, where the design pressure is above 2.5MPa .

3.9.3 Closing of Openings (Related to IGC Code 3.8.4.3)

During the use of the bow or stern loading and unloading arrangements, all doors, ports and other openings on the corresponding superstructure or deckhouse side is to be kept closed.

3.9.4 Closing of Deck Openings and Air Inlets (Related to IGC Code 3.8.5)

Deck openings and air inlets and outlets to spaces within distances of 10 m from the cargo shore connection location are to be kept closed during the use of bow or stern loading or unloading arrangements.

Chapter 4 CARGO CONTAINMENT

4.1 Definitions (*IGC Code 4.1*)

4.1.1 Cold Spot

A cold spot is a part of the hull or thermal insulation surface where a localized temperature decrease occurs with respect to the allowable minimum temperature of the hull or of its adjacent hull structure, or to design capabilities of cargo pressure/temperature control systems required in [Chapter 7](#).

4.1.2 Design Vapour Pressure

Design vapour pressure " P_0 " is the maximum gauge pressure, at the top of the tank, to be used in the design of the tank.

4.1.3 Design Temperature

Design temperature for selection of materials is the minimum temperature at which cargo may be loaded or transported in the cargo tanks.

4.1.4 Independent Tanks

Independent tanks are self-supporting tanks. They do not form part of the ship's hull and are not essential to the hull strength. There are three categories of independent tank, which are referred to in [4.21](#), [4.22](#) and [4.23](#).

4.1.5 Membrane Tanks

Membrane tanks are non-self-supporting tanks that consist of a thin liquid and gastight layer (membrane) supported through insulation by the adjacent hull structure. Membrane tanks are covered in [4.24](#).

4.1.6 Integral Tanks

Integral tanks are tanks that form a structural part of the hull and are influenced in the same manner by the loads that stress the adjacent hull structure. Integral tanks are covered in [4.25](#).

4.1.7 Semi-membrane Tanks

Semi-membrane tanks are non-self-supporting tanks in the loaded condition and consist of a layer, parts of which are supported through insulation by the adjacent hull structure. Semi-membrane tanks are covered in [4.26](#).

4.1.8 Others

In addition to the definitions in [1.2](#), the definitions given in this chapter are to apply throughout this Part.

4.2 Application (*IGC Code 4.2*)

Unless otherwise specified in [4.21](#) to [4.26](#), the requirements of [4.3](#) to [4.20](#) are to apply to all types of tanks, including those covered in [4.27](#).

4.3 Functional Requirements (*IGC Code 4.3*)

4.3.1 Design Life

The design life of the cargo containment system is not to be less than the design life of the ship.

4.3.2 Environmental Condition*

Cargo containment systems are to be designed for North Atlantic environmental conditions and relevant long-term sea state scatter diagrams for unrestricted navigation. Lesser environmental conditions, consistent with the expected usage, may be accepted by the Society for cargo containment systems used exclusively for restricted navigation. Greater environmental conditions may be required for cargo containment systems operated in conditions more severe than the North Atlantic environment.

4.3.3 Safety Margins

Cargo containment systems are to be designed with suitable safety margins:

- (1) to withstand, in the intact condition, the environmental conditions anticipated for the cargo containment system's design life and the loading conditions appropriate for them, which include full homogeneous and partial load conditions, partial filling

within defined limits and ballast voyage loads; and

- (2) being appropriate for uncertainties in loads, structural modelling, fatigue, corrosion, thermal effects, material variability, ageing and construction tolerances.

4.3.4 Design Condition

The cargo containment system structural strength is to be assessed against failure modes, including but not limited to plastic deformation, buckling and fatigue. The specific design conditions which are to be considered for the design of each cargo containment system are given in 4.21 to 4.26. There are three main categories of design conditions:

- (1) Ultimate design conditions – the cargo containment system structure and its structural components are to withstand loads liable to occur during its construction, testing and anticipated use in service, without loss of structural integrity. The design is to take into account proper combinations of the following loads:
 - (a) internal pressure;
 - (b) external pressure;
 - (c) dynamic loads due to the motion of the ship;
 - (d) thermal loads;
 - (e) sloshing loads;
 - (f) loads corresponding to ship deflections;
 - (g) tank and cargo weight with the corresponding reaction in way of supports;
 - (h) insulation weight;
 - (i) loads in way of towers and other attachments; and
 - (j) test loads.
- (2) Fatigue design conditions – the cargo containment system structure and its structural components are not to fail under accumulated cyclic loading.
- (3) The cargo containment system is to meet the following criteria:
 - (a) Collision – the cargo containment system is to be protectively located in accordance with 2.4.1 and withstand the collision loads specified in 4.15.1 without deformation of the supports, or the tank structure in way of the supports, likely to endanger the tank structure.
 - (b) Fire – the cargo containment systems are to sustain, without rupture, the rise in internal pressure specified in 8.4.1 under the fire scenarios envisaged therein.
 - (c) Flooded compartment causing buoyancy on tank – the anti-flotation arrangements are to sustain the upward force, specified in 4.15.2, and there is to be no endangering plastic deformation to the hull.

4.3.5 Corrosion Allowance, etc.*

Measures are to be applied to ensure that scantlings required meet the structural strength provisions and be maintained throughout the design life. Measures may include, but are not limited to, material selection, coatings, corrosion additions, cathodic protection and inerting. Corrosion allowance need not be required in addition to the thickness resulting from the structural analysis. However, where there is no environmental control, such as inerting around the cargo tank, or where the cargo is of a corrosive nature, the Society may require a suitable corrosion allowance.

4.3.6 Inspection/Survey Plan*

An inspection/survey plan for the cargo containment system is to be developed and approved by the Society. The inspection/survey plan is to identify areas that need inspection during surveys throughout the cargo containment system's life and, in particular, all necessary in-service survey and maintenance that was assumed when selecting cargo containment system design parameters. Cargo containment systems are to be designed, constructed and equipped to provide adequate means of access to areas that need inspection as specified in the inspection/survey plan. Cargo containment systems, including all associated internal equipment, are to be designed and built to ensure safety during operations, inspection and maintenance (see 3.5).

4.4 Cargo Containment Safety Principles (IGC Code 4.4)

4.4.1 General

The containment systems are to be provided with a full secondary liquid-tight barrier capable of safely containing all

potential leakages through the primary barrier and, in conjunction with the thermal insulation system, of preventing lowering of the temperature of the ship structure to an unsafe level.

4.4.2 Reducing Secondary Barrier

However, the size and configuration or arrangement of the secondary barrier may be reduced where an equivalent level of safety is demonstrated in accordance with the requirements of 4.4.3 to 4.4.5, as applicable.

4.4.3 Small Leak Protection System

Cargo containment systems for which the probability for structural failures to develop into a critical state has been determined to be extremely low, but where the possibility of leakages through the primary barrier cannot be excluded, are to be equipped with a partial secondary barrier and small leak protection system capable of safely handling and disposing of the leakages. The arrangements are to comply with the following requirements:

- (1) failure developments that can be reliably detected before reaching a critical state (e.g. by gas detection or inspection) are to have a sufficiently long development time for remedial actions to be taken; and
- (2) failure developments that cannot be safely detected before reaching a critical state are to have a predicted development time that is much longer than the expected lifetime of the tank.

4.4.4 Secondary Barriers when the Probability of Leakage is Negligible

No secondary barrier is required for cargo containment systems, e.g. type C independent tanks, where the probability for structural failures and leakages through the primary barrier is extremely low and can be neglected.

4.4.5 Secondary Barrier where the Cargo Temperature is at or above -10°C

No secondary barrier is required where the cargo temperature at atmospheric pressure is at or above -10°C.

4.5 Secondary Barriers in relation to Tank Types (IGC Code 4.5)*

Secondary barriers in relation to the tank types defined in 4.21 to 4.26 are to be provided in accordance with the Table N4.1.

Table N4.1 Tank Type and Secondary Barrier

Cargo temperature at atmospheric pressure	-10°C and above	Below -10°C down to -55°C	Below -55°C
Basic tank type	No secondary barrier required	Hull may act as secondary barrier	Separate secondary barrier where required
Integral Membrane	Tank type not normally allowed ¹		
Semi-membrane	Complete secondary barrier		
Independent:	Complete secondary barrier ²		
-type A	Complete secondary barrier		
-type B	Partial secondary barrier		
-type C	No secondary barrier required		
<p>Note 1: A complete secondary barrier is to normally be required if cargoes with a temperature at atmospheric pressure below -10°C are permitted in accordance with 4.25.1.</p> <p>Note 2: In the case of semi-membrane tanks that comply in all respects with the requirements applicable to type B independent tanks, except for the manner of support, the Society may, after special consideration, accept a partial secondary barrier.</p>			

4.6 Design of Secondary Barriers (IGC Code 4.6)

4.6.1 Hull Structure Acting as a Secondary Barrier*

Where the cargo temperature at atmospheric pressure is not below -55°C, the hull structure may act as a secondary barrier based on the following:

- (1) the hull material is to be suitable for the cargo temperature at atmospheric pressure as required by 4.19.1-4; and
- (2) the design is to be such that this temperature will not result in unacceptable hull stresses.

4.6.2 Standards of Secondary Barrier*

The design of the secondary barrier is to be such that:

- (1) it is capable of containing any envisaged leakage of liquid cargo for a period of 15 *days*, unless different criteria apply for particular voyages, taking into account the load spectrum referred to in 4.18.2-6;
- (2) physical, mechanical, or operational events within the cargo tank that could cause failure of the primary barrier are not to impair the due function of the secondary barrier, or vice versa;
- (3) failure of a support or an attachment to the hull structure will not lead to loss of liquid tightness of both the primary and secondary barriers;
- (4) it is capable of being periodically checked for its effectiveness by means acceptable to the Society. This may be by means of a visual inspection or a pressure/vacuum test or other suitable means carried out according to a documented procedure agreed with the Society;
- (5) the methods required in (4) above are to be approved by the Society and to include, where applicable to the test procedure:
 - (a) details on the size of defect acceptable and the location within the secondary barrier, before its liquid-tight effectiveness is compromised;
 - (b) accuracy and range of values of the proposed method for detecting defects in (a) above;
 - (c) scaling factors to be used in determining the acceptance criteria, if full scale model testing is not undertaken; and
 - (d) effects of thermal and mechanical cyclic loading on the effectiveness of the proposed test; and
- (6) the secondary barrier is to fulfil its functional requirements at a static angle of heel of 30 degrees.

4.7 Partial Secondary Barriers and Primary Barrier Small Leak Protection System (IGC Code 4.7)

4.7.1 General*

Partial secondary barriers as permitted in 4.4.3 are to be used with a small leak protection system and meet all the requirements in 4.6.2. The small leak protection system is to include means to detect a leak in the primary barrier, provision such as a spray shield to deflect any liquid cargo down into the partial secondary barrier, and means to dispose of the liquid, which may be by natural evaporation.

4.7.2 Partial Secondary Barriers*

The capacity of the partial secondary barrier is to be determined, based on the cargo leakage corresponding to the extent of failure resulting from the load spectrum referred to in 4.18.2-6, after the initial detection of a primary leak. Due account may be taken of liquid evaporation, rate of leakage, pumping capacity and other relevant factors.

4.7.3 Liquid Leakage Detection

The required liquid leakage detection may be by means of liquid sensors, or by an effective use of pressure, temperature or gas detection systems, or any combination thereof.

4.8 Supporting Arrangements (IGC Code 4.8)

4.8.1 General*

The cargo tanks are to be supported by the hull in a manner that prevents bodily movement of the tank under the static and dynamic loads defined in 4.12 to 4.15, where applicable, while allowing contraction and expansion of the tank under temperature variations and hull deflections without undue stressing of the tank and the hull.

4.8.2 Anti-flotation Arrangements

Anti-flotation arrangements are to be provided for independent tanks and capable of withstanding the loads defined in 4.15.2 without plastic deformation likely to endanger the hull structure.

4.8.3 Load Combination

Supports and supporting arrangements are to withstand the loads defined in 4.13.9 and 4.15, but these loads need not be combined with each other or with wave-induced loads.

4.9 Associated Structure and Equipment (IGC Code 4.9)**4.9.1 General**

Cargo containment systems are to be designed for the loads imposed by associated structure and equipment. This includes pump towers, cargo domes, cargo pumps and piping, stripping pumps and piping, nitrogen piping, access hatches, ladders, piping penetrations, liquid level gauges, independent level alarm gauges, spray nozzles, and instrumentation systems (such as pressure, temperature and strain gauges).

4.10 Thermal Insulation (IGC Code 4.10)**4.10.1 Protection of Hull Structure for Low Temperature Products**

Thermal insulation is to be provided, as required, to protect the hull from temperatures below those allowable (see [4.19.1](#)) and limit the heat flux into the tank to the levels that can be maintained by the pressure and temperature control system applied in [Chapter 7](#).

4.10.2 Insulation Performance

In determining the insulation performance, due regard is to be given to the amount of the acceptable boil-off in association with the reliquefaction plant on board, main propulsion machinery or other temperature control system.

4.11 General (IGC Code 4.11)

This section defines the design loads to be considered with regard to the requirements in [4.16](#), [4.17](#) and [4.18](#). This includes:

- (1) load categories (permanent, functional, environmental and accidental) and the description of the loads;
- (2) the extent to which these loads are to be considered depending on the type of tank, and is more fully detailed in the following paragraphs; and
- (3) tanks, together with their supporting structure and other fixtures, that are to be designed taking into account relevant combinations of the loads described below.

4.12 Permanent Loads (IGC Code 4.12)**4.12.1 Gravity Loads**

The weight of tank, thermal insulation, loads caused by towers and other attachments are to be considered.

4.12.2 Permanent External Loads

Gravity loads of structures and equipment acting externally on the tank are to be considered.

4.13 Functional Loads (IGC Code 4.13)**4.13.1 General**

Loads arising from the operational use of the tank system are to be classified as functional loads. All functional loads that are essential for ensuring the integrity of the tank system, during all design conditions, are to be considered. As a minimum, the effects from the following criteria, as applicable, are to be considered when establishing functional loads:

- (1) internal pressure;
- (2) external pressure;
- (3) thermally induced loads;
- (4) vibration;
- (5) interaction loads;
- (6) loads associated with construction and installation;
- (7) test loads;
- (8) static heel loads; and

(9) weight of cargo.

4.13.2 Internal Pressure*

1 In all cases, including 4.13.2-2, P_0 is not to be less than *MARVS*.

2 For cargo tanks, where there is no temperature control and where the pressure of the cargo is dictated only by the ambient temperature, P_0 is not to be less than the gauge vapour pressure of the cargo at a temperature of 45°C except as follows:

- (1) lower values of ambient temperature may be accepted by the Society for ships operating in restricted areas. Conversely, higher values of ambient temperature may be required; and
- (2) for ships on voyages of restricted duration, P_0 may be calculated based on the actual pressure rise during the voyage, and account may be taken of any thermal insulation of the tank.

3 Subject to special consideration by the Society and to the limitations given in 4.21 to 4.26, for the various tank types, a vapour pressure P_h higher than P_0 may be accepted for site specific conditions (harbour or other locations), where dynamic loads are reduced.

4 The internal pressure P_{eq} results from the vapour pressure P_0 or P_h plus the maximum associated dynamic liquid pressure P_{gd} , but not including the effects of liquid sloshing loads. Guidance formulae for associated dynamic liquid pressure P_{gd} are given in 4.28.1.

4.13.3 External Pressure

External design pressure loads are to be based on the difference between the minimum internal pressure and the maximum external pressure to which any portion of the tank may be simultaneously subjected.

4.13.4 Thermally Induced Loads*

1 Transient thermally induced loads during cooling down periods are to be considered for tanks intended for cargo temperatures below -55°C.

2 Stationary thermally induced loads are to be considered for cargo containment systems where the design supporting arrangements or attachments and operating temperature may give rise to significant thermal stresses (see 7.2).

4.13.5 Vibration*

The potentially damaging effects of vibration on the cargo containment system are to be considered.

4.13.6 Interaction Loads

The static component of loads resulting from interaction between cargo containment system and the hull structure, as well as loads from associated structure and equipment, are to be considered.

4.13.7 Loads Associated with Construction and Installation

Loads or conditions associated with construction and installation, e.g. lifting, are to be considered.

4.13.8 Test Loads*

Account is to be taken of the loads corresponding to the testing of the cargo containment system referred to in 4.21 to 4.26.

4.13.9 Static Heel Loads*

Loads corresponding to the most unfavourable static heel angle within the range 0 degrees to 30 degrees are to be considered.

4.13.10 Other Loads

Any other loads not specifically addressed, which could have an effect on the cargo containment system, are to be taken into account.

4.14 Environmental Loads (*IGC Code 4.14*)

Environmental loads are defined as those loads on the cargo containment system that are caused by the surrounding environment and that are not otherwise classified as a permanent, functional or accidental load.

4.14.1 Loads due to Ship Motion*

1 The determination of dynamic loads is to take into account the long-term distribution of ship motion in irregular seas, which the ship will experience during its operating life. Account may be taken of the reduction in dynamic loads due to necessary speed reduction and variation of heading.

2 The ship's motion is to include surge, sway, heave, roll, pitch and yaw. The accelerations acting on tanks are to be estimated at their centre of gravity and include the following components:

- (1) vertical acceleration: motion accelerations of heave, pitch and, possibly, roll (normal to the ship base);
- (2) transverse acceleration: motion accelerations of sway, yaw and roll and gravity component of roll; and

- (3) longitudinal acceleration: motion accelerations of surge and pitch and gravity component of pitch.
- 3 Methods to predict accelerations due to ship motion are to be proposed and approved by the Society.
- 4 Guidance formulae for acceleration components are given in 4.28.2.
- 5 Ships for restricted service may be given special consideration.

4.14.2 Dynamic Interaction Loads

Account is to be taken of the dynamic component of loads resulting from interaction between cargo containment systems and the hull structure, including loads from associated structures and equipment.

4.14.3 Sloshing Loads*

- 1 The sloshing loads on a cargo containment system and internal components are to be evaluated based on allowable filling levels.
- 2 When significant sloshing-induced loads are expected to be present, special tests and calculations are to be required covering the full range of intended filling levels.

4.14.4 Snow and Ice Loads

Snow and icing are to be considered, if relevant.

4.14.5 Loads due to Navigation in Ice

Loads due to navigation in ice are to be considered for vessels intended for such service.

4.15 Accidental Loads (*IGC Code 4.15*)

Accidental loads are defined as loads that are imposed on a cargo containment system and its supporting arrangements under abnormal and unplanned conditions.

4.15.1 Collision Loads

The collision load is to be determined based on the cargo containment system under fully loaded condition with an inertial force corresponding to 0.5 g in the forward direction and 0.25 g in the aft direction, where "g" is gravitational acceleration.

4.15.2 Loads due to Flooding on Ship

For independent tanks, loads caused by the buoyancy of an empty tank in a hold space flooded to the summer load draught are to be considered in the design of the anti-flotation chocks and the supporting hull structure.

4.16 General (*IGC Code 4.16*)

4.16.1 Safety Margin

The structural design is to ensure that tanks have an adequate capacity to sustain all relevant loads with an adequate margin of safety. This is to take into account the possibility of plastic deformation, buckling, fatigue and loss of liquid and gas tightness.

4.16.2 General

The structural integrity of cargo containment systems is to be demonstrated by compliance with 4.21 to 4.26, as appropriate, for the cargo containment system type.

4.16.3 Novel Design

The structural integrity of cargo containment system types that are of novel design and differ significantly from those covered by 4.21 to 4.26 is to be demonstrated by compliance with 4.27 to ensure that the overall level of safety provided in this chapter is maintained.

4.17 Structural Analyses (*IGC Code 4.17*)

4.17.1 Analysis

- 1 The design analyses are to be based on accepted principles of statics, dynamics and strength of materials.
- 2 Simplified methods or simplified analyses may be used to calculate the load effects, provided that they are conservative. Model tests may be used in combination with, or instead of, theoretical calculations. In cases where theoretical methods are inadequate, model or full-scale tests may be required.

3 When determining responses to dynamic loads, the dynamic effect is to be taken into account where it may affect structural integrity.

4.17.2 Load Scenarios

1 For each location or part of the cargo containment system to be considered and for each possible mode of failure to be analysed, all relevant combinations of loads that may act simultaneously are to be considered.

2 The most unfavourable scenarios for all relevant phases during construction, handling, testing and in service, and conditions are to be considered.

4.17.3 Allowable Stresses

When the static and dynamic stresses are calculated separately, and unless other methods of calculation are justified, the total stresses are to be calculated according to:

$$\sigma_x = \sigma_{x.st} \pm \sqrt{\sum(\sigma_{x.dyn})^2}$$

$$\sigma_y = \sigma_{y.st} \pm \sqrt{\sum(\sigma_{y.dyn})^2}$$

$$\sigma_z = \sigma_{z.st} \pm \sqrt{\sum(\sigma_{z.dyn})^2}$$

$$\tau_{xy} = \tau_{xy.st} \pm \sqrt{\sum(\tau_{xy.dyn})^2}$$

$$\tau_{xz} = \tau_{xz.st} \pm \sqrt{\sum(\tau_{xz.dyn})^2}$$

$$\tau_{yz} = \tau_{yz.st} \pm \sqrt{\sum(\tau_{yz.dyn})^2}$$

where:

$\sigma_{x.st}$, $\sigma_{y.st}$, $\sigma_{z.st}$, $\tau_{xy.st}$, $\tau_{xz.st}$ and $\tau_{yz.st}$ are static stresses; and

$\sigma_{x.dyn}$, $\sigma_{y.dyn}$, $\sigma_{z.dyn}$, $\tau_{xy.dyn}$, $\tau_{xz.dyn}$ and $\tau_{yz.dyn}$ are dynamic stresses,

each is to be determined separately from acceleration components and hull strain components due to deflection and torsion.

4.18 Design Conditions (IGC Code 4.18)

All relevant failure modes are to be considered in the design for all relevant load scenarios and design conditions. The design conditions are given in the earlier part of this chapter, and the load scenarios are covered by 4.17.2.

4.18.1 Ultimate Design Condition*

Structural capacity may be determined by testing, or by analysis, taking into account both the elastic and plastic material properties, by simplified linear elastic analysis or by this Part provisions.

(1) Plastic deformation and buckling are to be considered.

(2) Analysis is to be based on characteristic load values as follows:

Permanent loads: Expected values

Functional loads: Specified values

Environmental loads: For wave loads: most probable largest load encountered during 10^8 wave encounters.

(3) For the purpose of ultimate strength assessment, the following material parameters apply:

(a) R_e : specified minimum yield stress at room temperature (N/mm^2). If the stress-strain curve does not show a defined yield stress, the 0.2% proof stress applies.

(b) R_m : specified minimum tensile strength at room temperature (N/mm^2).

For welded connections where under-matched welds, i.e. where the weld metal has lower tensile strength than the parent metal, are unavoidable, such as in some aluminium alloys, the respective R_e and R_m of the welds, after any applied heat treatment, are to be used. In such cases, the transverse weld tensile strength is not to be less than the actual yield strength of the parent metal. If this cannot be achieved, welded structures made from such materials are not to be incorporated in cargo containment systems.

(c) The above properties are to correspond to the minimum specified mechanical properties of the material, including the weld metal in the as-fabricated condition. Subject to special consideration by the Society, account may be taken of the enhanced

yield stress and tensile strength at low temperature.

- (4) The equivalent stress σ_C (von Mises, Huber) is to be determined by:

$$\sigma_C = \sqrt{\sigma_x^2 + \sigma_y^2 + \sigma_z^2 - \sigma_x\sigma_y - \sigma_x\sigma_z - \sigma_y\sigma_z + 3(\tau_{xy}^2 + \tau_{xz}^2 + \tau_{yz}^2)}$$

where:

σ_x : total normal stress in x -direction;

σ_y : total normal stress in y -direction;

σ_z : total normal stress in z -direction;

τ_{xy} : total shear stress in x - y plane;

τ_{xz} : total shear stress in x - z plane; and

τ_{yz} : total shear stress in y - z plane.

The above values are to be calculated as described in 4.17.3.

- (5) Allowable stresses for materials other than those covered by Chapter 6 are to be subject to approval by the Society in each case.
- (6) Stresses may be further limited by fatigue analysis, crack propagation analysis and buckling criteria.

4.18.2 Fatigue Design Condition*

- 1 The fatigue design condition is the design condition with respect to accumulated cyclic loading.
- 2 Where a fatigue analysis is required, the cumulative effect of the fatigue load is to comply with:

$$\sum \frac{n_i}{N_i} + \frac{n_{Loading}}{N_{Loading}} \leq C_w$$

where:

n_i : number of stress cycles at each stress level during the life of the tank;

N_i : number of cycles to fracture for the respective stress level according to the Wohler (S - N) curve;

$n_{Loading}$: number of loading and unloading cycles during the life of the tank, not to be less than 1,000 (1,000 cycles normally corresponds to 20 years of operation). Loading and unloading cycles include a complete pressure and thermal cycle;

$N_{Loading}$: number of cycles to fracture for the fatigue loads due to loading and unloading; and

C_w : maximum allowable cumulative fatigue damage ratio.

The fatigue damage is to be based on the design life of the tank but not less than 10^8 wave encounters.

- 3 Where required, the cargo containment system is to be subject to fatigue analysis, considering all fatigue loads and their appropriate combinations for the expected life of the cargo containment system. Consideration is to be given to various filling conditions.

4

- (1) Design S - N curves used in the analysis are to be applicable to the materials and weldments, construction details, fabrication procedures and applicable state of the stress envisioned.
 - (2) The S - N curves are to be based on a 97.6% probability of survival corresponding to the mean-minus-two-standard-deviation curves of relevant experimental data up to final failure. Use of S - N curves derived in a different way requires adjustments to the acceptable C_w values specified in 4.18.2-7 to 4.18.2-9.
- 5 Analysis is to be based on characteristic load values as follows:

Permanent loads: Expected values

Functional loads: Specified values or specified history

Environmental loads: Expected load history, but not less than 10^8 cycles

If simplified dynamic loading spectra are used for the estimation of the fatigue life, they are to be specially considered by the Society.

6

- (1) Where the size of the secondary barrier is reduced, as is provided for in 4.4.3, fracture mechanics analyses of fatigue crack growth are to be carried out to determine:
 - (a) crack propagation paths in the structure;

- (b) crack growth rate;
- (c) the time required for a crack to propagate to cause a leakage from the tank;
- (d) the size and shape of through thickness cracks; and
- (e) the time required for detectable cracks to reach a critical state.

The fracture mechanics are, in general, based on crack growth data taken as a mean value plus two standard deviations of the test data.

- (2) In analysing crack propagation, the largest initial crack not detectable by the inspection method applied is to be assumed, taking into account the allowable non-destructive testing and visual inspection criterion, as applicable.
- (3) Crack propagation analysis under the condition specified in 4.18.2-7: the simplified load distribution and sequence over a period of 15 days may be used. Such distributions may be obtained as indicated in Fig. N4.4. Load distribution and sequence for longer periods, such as in 4.18.2-8 and 4.18.2-9 are to be approved by the Society.
- (4) The arrangements are to comply with 4.18.2-7 to 4.18.2-9, as applicable.

7 For failures that can be reliably detected by means of leakage detection:

C_w is to be less than or equal to 0.5.

Predicted remaining failure development time, from the point of detection of leakage till reaching a critical state, is not to be less than 15 days, unless different requirements apply for ships engaged in particular voyages.

8 For failures that cannot be detected by leakage but that can be reliably detected at the time of in-service inspections:

C_w is to be less than or equal to 0.5.

Predicted remaining failure development time, from the largest crack not detectable by in-service inspection methods until reaching a critical state, is not to be less than three times the inspection interval.

9 In particular locations of the tank, where effective defect or crack development detection cannot be assured, the following, more stringent, fatigue acceptance criteria are to be applied as a minimum:

C_w is to be less than or equal to 0.1.

Predicted failure development time, from the assumed initial defect until reaching a critical state, is not to be less than three times the lifetime of the tank.

4.18.3 Accident Design Condition

1 The accident design condition is a design condition for accidental loads with extremely low probability of occurrence.

2 Analysis is to be based on the characteristic values as follows:

Permanent loads:	Expected values
Functional loads:	Specified values
Environmental loads:	Specified values
Accidental loads:	Specified values or expected values

3 Loads mentioned in 4.13.9 and 4.15 need not be combined with each other or with wave-induced loads.

4.19 Materials (IGC Code 4.19)

4.19.1 Materials Forming Ship Structure*

1 To determine the grade of steels used in the hull structure, a temperature calculation is to be performed for all tank types when the cargo temperature is below -10°C. The following assumptions are to be made in this calculation:

- (1) the primary barrier of all tanks is to be assumed to be at the cargo temperature;
- (2) in addition to -1, where a complete or partial secondary barrier is required, it is to be assumed to be at the cargo temperature at atmospheric pressure for any one tank only;
- (3) for worldwide service, ambient temperatures are to be taken as 5°C for air and 0°C for seawater. Higher values may be accepted for ships operating in restricted areas and, conversely, lower values may be fixed by the Society for ships trading to areas where lower temperatures are expected during the winter months;
- (4) still air and seawater conditions are to be assumed, i.e. no adjustment for forced convection;
- (5) degradation of the thermal insulation properties over the life of the ship due to factors such as thermal and mechanical ageing, compaction, ship motions and tank vibrations, as defined in 4.19.3-6 and 4.19.3-7, are to be assumed;

- (6) the cooling effect of the rising boil-off vapour from the leaked cargo is to be taken into account, where applicable;
- (7) credit for hull heating may be taken in accordance with **4.19.1-5**, provided the heating arrangements are in compliance with **4.19.1-6**;
- (8) no credit is to be given for any means of heating, except as described in **4.19.1-5**; and
- (9) for members connecting inner and outer hulls, the mean temperature may be taken for determining the steel grade.

2 The shell and deck plating of the ship and all stiffeners attached thereto are to be in accordance with recognized standards. If the calculated temperature of the material in the design condition is below -5°C due to the influence of the cargo temperature, the material is to be in accordance with **Table N6.5**.

3 The materials of all other hull structures for which the calculated temperature in the design condition is below 0°C , due to the influence of cargo temperature and that do not form the secondary barrier, are also to be in accordance with **Table N6.5**. This includes hull structure supporting the cargo tanks, inner bottom plating, longitudinal bulkhead plating, transverse bulkhead plating, floors, webs, stringers and all attached stiffening members.

4 The hull material forming the secondary barrier is to be in accordance with **Table N6.2**. Where the secondary barrier is formed by the deck or side shell plating, the material grade required by **Table N6.2** is to be carried into the adjacent deck or side shell plating, where applicable, to a suitable extent.

5 Means of heating structural materials may be used to ensure that the material temperature does not fall below the minimum allowed for the grade of material specified in **Table N6.5**. In the calculations required in **4.19.1-1**, credit for such heating may be taken in accordance with the following:

- (1) for any transverse hull structure;
- (2) for longitudinal hull structure referred to in **4.19.1-2** and **4.19.1-3** where colder ambient temperatures are specified, provided the material remains suitable for the ambient temperature conditions of $+5^{\circ}\text{C}$ for air and 0°C for seawater with no credit taken in the calculations for heating; and
- (3) as an alternative to **-2**, for longitudinal bulkhead between cargo tanks, credit may be taken for heating, provided the material remain suitable for a minimum design temperature of -30°C , or a temperature 30°C lower than that determined by **4.19.1-1** with the heating considered, whichever is less. In this case, the ship's longitudinal strength is to comply with the relevant provisions of **Part C of the Rules** for both when those bulkhead(s) are considered effective and not.

6 The means of heating referred to in **4.19.1-5** are to comply with the following requirements:

- (1) the heating system is to be arranged so that, in the event of failure in any part of the system, standby heating can be maintained equal to not less than 100% of the theoretical heat requirement;
- (2) the heating system is to be considered as an essential auxiliary. All electrical components of at least one of the systems provided in accordance with **4.19.1-5(1)** are to be supplied from the emergency source of electrical power; and
- (3) the design and construction of the heating system are to be included in the approval of the containment system by the Society.

4.19.2 Materials of Primary and Secondary Barriers*

1 Metallic materials used in the construction of primary and secondary barriers not forming the hull, are to be suitable for the design loads that they may be subjected to, and be in accordance with **Table N6.1**, **Table N6.2** or **Table N6.3**.

2 Materials, either non-metallic or metallic but not covered by **Table N6.1**, **Table N6.2** and **Table N6.3**, used in the primary and secondary barriers may be approved by the Society, considering the design loads that they may be subjected to, their properties and their intended use.

3 Where non-metallic materials, including composites, are used for, or incorporated in the primary or secondary barriers, they are to be tested for the following properties, as applicable, to ensure that they are adequate for the intended service:

- (1) compatibility with the cargoes;
- (2) ageing;
- (3) mechanical properties;
- (4) thermal expansion and contraction;
- (5) abrasion;
- (6) cohesion;
- (7) resistance to vibrations;
- (8) resistance to fire and flame spread; and

(9) resistance to fatigue failure and crack propagation.

4 The above properties, where applicable, are to be tested for the range between the expected maximum temperature in service and +5°C below the minimum design temperature, but not lower than -196°C.

5

(1) Where non-metallic materials, including composites, are used for the primary and secondary barriers, the joining processes are also to be tested as described above.

(2) Guidance on the use of non-metallic materials in the construction of primary and secondary barriers is provided in [Annex 6](#).

6 Consideration may be given to the use of materials in the primary and secondary barrier, which are not resistant to fire and flame spread, provided they are protected by a suitable system such as a permanent inert gas environment, or are provided with a fire-retardant barrier.

4.19.3 Thermal Insulation and Other Materials Used in Cargo Containment Systems*

1 Load-bearing thermal insulation and other materials used in cargo containment systems are to be suitable for the design loads.

2 Thermal insulation and other materials used in cargo containment systems are to have the following properties, as applicable, to ensure that they are adequate for the intended service:

- (1) compatibility with the cargoes;
- (2) solubility in the cargo;
- (3) absorption of the cargo;
- (4) shrinkage;
- (5) ageing;
- (6) closed cell content;
- (7) density;
- (8) mechanical properties, to the extent that they are subjected to cargo and other loading effects, thermal expansion and contraction;
- (9) abrasion;
- (10) cohesion;
- (11) thermal conductivity;
- (12) resistance to vibrations;
- (13) resistance to fire and flame spread; and
- (14) resistance to fatigue failure and crack propagation.

3 The above properties, where applicable, are to be tested for the range between the expected maximum temperature in service and 5°C below the minimum design temperature, but not lower than -196°C.

4 Due to location or environmental conditions, thermal insulation materials are to have suitable properties of resistance to fire and flame spread and are to be adequately protected against penetration of water vapour and mechanical damage. Where the thermal insulation is located on or above the exposed deck, and in way of tank cover penetrations, it is to have suitable fire resistance properties in accordance with recognized standards or be covered with a material having low flame-spread characteristics and forming an efficient approved vapour seal.

5 Thermal insulation that does not meet recognized standards for fire resistance may be used in hold spaces that are not kept permanently inerted, provided its surfaces are covered with material with low flame-spread characteristics and that forms an efficient approved vapour seal.

6 Testing for thermal conductivity of thermal insulation is to be carried out on suitably aged samples.

7 Where powder or granulated thermal insulation is used, measures are to be taken to reduce compaction in service and to maintain the required thermal conductivity and also prevent any undue increase of pressure on the cargo containment system.

4.20 Construction Processes (JGC Code 4.20)

4.20.1 Weld Joint Design*

1 All welded joints of the shells of independent tanks are to be of the in-plane butt weld full penetration type. For dome-to-shell connections only, tee welds of the full penetration type may be used depending on the results of the tests carried out at the approval of the welding procedure. Except for small penetrations on domes, nozzle welds are also to be designed with full penetration.

2 Welding joint details for type *C* independent tanks, and for the liquid-tight primary barriers of type *B* independent tanks primarily constructed of curved surfaces, is to be as follows:

- (1) all longitudinal and circumferential joints are to be of butt welded, full penetration, double vee or single vee type. Full penetration butt welds are to be obtained by double welding or by the use of backing rings. If used, backing rings are to be removed except from very small process pressure vessels. Other edge preparations may be permitted, depending on the results of the tests carried out at the approval of the welding procedure; and
- (2) the bevel preparation of the joints between the tank body and domes and between domes and relevant fittings is to be designed according to a standard acceptable to the Society. All welds connecting nozzles, domes or other penetrations of the vessel and all welds connecting flanges to the vessel or nozzles are to be full penetration welds.

3 Where applicable, all the construction processes and testing, except that specified in 4.20.3, are to be done in accordance with the applicable provisions of Chapter 6.

4.20.2 Design for Gluing and Other Joining Processes

The design of the joint to be glued (or joined by some other process except welding) is to take account of the strength characteristics of the joining process.

4.20.3 Testing*

1 All cargo tanks and process pressure vessels are to be subjected to hydrostatic or hydropneumatic pressure testing in accordance with 4.21 to 4.26, as applicable for the tank type.

2 All tanks are to be subject to a tightness test which may be performed in combination with the pressure test referred to in 4.20.3-1.

3 Requirements with respect to inspection of secondary barriers are to be decided by the Society in each case, taking into account the accessibility of the barrier (see 4.6.2).

4 The Society may require that for ships fitted with novel type *B* independent tanks, or tanks designed according to 4.27 at least one prototype tank and its supporting structures are to be instrumented with strain gauges or other suitable equipment to confirm stress levels. Similar instrumentation may be required for type *C* independent tanks, depending on their configuration and on the arrangement of their supports and attachments.

5 The overall performance of the cargo containment system is to be verified for compliance with the design parameters during the first full loading and discharging of the cargo, in accordance with the survey procedure and requirements in 1.4 of the *IGC Code* as well as requirements deemed appropriate by the Society. Records of the performance of the components and equipment essential to verify the design parameters, are to be maintained and be available to the Society.

6 Heating arrangements, if fitted in accordance with 4.19.1-5 and 4.19.1-6, are to be tested for required heat output and heat distribution.

7 The cargo containment system is to be inspected for cold spots during, or immediately following, the first loaded voyage. Inspection of the integrity of thermal insulation surfaces that cannot be visually checked is to be carried out in accordance with recognized standards.

4.21 Type A Independent Tanks (*IGC Code* 4.21)

4.21.1 Design Basis

1 Type *A* independent tanks are tanks primarily designed using classical ship-structural analysis procedures in accordance with recognized standards. Where such tanks are primarily constructed of plane surfaces, the design vapour pressure P_0 is to be less than 0.07 MPa.

2 If the cargo temperature at atmospheric pressure is below -10°C, a complete secondary barrier is to be provided as required in 4.5. The secondary barrier is to be designed in accordance with 4.6.

4.21.2 Structural Analysis*

1 A structural analysis is to be performed taking into account the internal pressure as indicated in 4.13.2, and the interaction loads with the supporting and keying system as well as a reasonable part of the ship's hull.

2 For parts, such as supporting structures, not otherwise covered by the requirements of this Part, stresses are to be determined by direct calculations, taking into account the loads referred to in 4.12 to 4.15 as far as applicable, and the ship deflection in way of

supporting structures.

3 The tanks with supports are to be designed for the accidental loads specified in 4.15. These loads need not be combined with each other or with environmental loads.

4.21.3 Ultimate Design Condition*

1 For tanks primarily constructed of plane surfaces, the nominal membrane stresses for primary and secondary members (stiffeners, web frames, stringers, girders), when calculated by classical analysis procedures, are to not exceed the lower of $R_m/2.66$ or $R_e/1.33$ for nickel steels, carbon-manganese steels, austenitic steels and aluminium alloys, where R_m and R_e are defined in 4.18.1(3). However, if detailed calculations are carried out for the primary members, the equivalent stress σ_c , as defined in 4.18.1(4), may be increased over that indicated above to a stress acceptable to the Society. Calculations are to take into account the effects of bending, shear, axial and torsional deformation as well as the hull/cargo tank interaction forces due to the deflection of the double bottom and cargo tank bottoms.

2 Tank boundary scantlings are to meet at least the requirements as deemed appropriate by the Society taking into account the internal pressure as indicated in 4.13.2 and any corrosion allowance required by 4.3.5.

3 The cargo tank structure is to be reviewed against potential buckling.

4.21.4 Accident Design Condition

1 The tanks and the tank supports are to be designed for the accidental loads and design conditions specified in 4.3.4(3) and 4.15, as relevant.

2 When subjected to the accidental loads specified in 4.15, the stress is to comply with the acceptance criteria specified in 4.21.3, modified as appropriate, taking into account their lower probability of occurrence.

4.21.5 Testing*

All type A independent tanks are to be subjected to a hydrostatic or hydropneumatic test. This test is to be performed such that the stresses approximate, as far as practicable, the design stresses, and that the pressure at the top of the tank corresponds at least to the MARVS. When a hydropneumatic test is performed, the conditions are to simulate, as far as practicable, the design loading of the tank and of its support structure, including dynamic components, while avoiding stress levels that could cause permanent deformation.

4.22 Type B Independent Tanks (IGC Code 4.22)

4.22.1 Design Basis

1 Type B independent tanks are tanks designed using model tests, refined analytical tools and analysis methods to determine stress levels, fatigue life and crack propagation characteristics. Where such tanks are primarily constructed of plane surfaces (prismatic tanks), the design vapour pressure P_0 is to be less than 0.07 MPa.

2 If the cargo temperature at atmospheric pressure is below -10°C , a partial secondary barrier with a small leak protection system is to be provided as required in 4.5. The small leak protection system is to be designed according to 4.7.

4.22.2 Structural Analysis*

1 The effects of all dynamic and static loads are to be used to determine the suitability of the structure with respect to:

- (1) plastic deformation;
- (2) buckling;
- (3) fatigue failure; and
- (4) crack propagation.

Finite element analysis or similar methods and fracture mechanics analysis, or an equivalent approach, are to be carried out.

2 A three-dimensional analysis is to be carried out to evaluate the stress levels, including interaction with the ship's hull. The model for this analysis is to include the cargo tank with its supporting and keying system, as well as a reasonable part of the hull.

3 A complete analysis of the particular ship accelerations and motions in irregular waves, and of the response of the ship and its cargo tanks to these forces and motions is to be performed, unless the data is available from similar ships.

4.22.3 Ultimate Design Condition

1 Plastic deformation

- (1) For type *B* independent tanks, primarily constructed of bodies of revolution, the allowable stresses are to not exceed:

$$\sigma_m \leq f$$

$$\sigma_L \leq 1.5f$$

$$\sigma_b \leq 1.5F$$

$$\sigma_L + \sigma_b \leq 1.5F$$

$$\sigma_m + \sigma_b \leq 1.5F$$

$$\sigma_m + \sigma_b + \sigma_g \leq 3.0F$$

$$\sigma_L + \sigma_b + \sigma_g \leq 3.0F$$

σ_m : equivalent primary general membrane stress;

σ_L : equivalent primary local membrane stress;

σ_b : equivalent primary bending stress;

σ_g : equivalent secondary stress;

f : the lesser of (R_m/A or R_e/B); and

F : the lesser of (R_m/C or R_e/D),

with R_m and R_e as defined in 4.18.1(3). With regard to the stresses σ_m , σ_L , σ_b and σ_g , the definition of stress categories in 4.28.3 are referred. The above figures may be altered, taking into account the design condition considered in acceptance with the Society.

Table N4.2 Values of *A*, *B*, *C* and *D* (Type *B*, Independent Tanks)

	Nickel steels and carbon manganese steels	Austenitic steels	Aluminium alloys
<i>A</i>	3	3.5	4
<i>B</i>	2	1.6	1.5
<i>C</i>	3	3	3
<i>D</i>	1.5	1.5	1.5

- (2) For type *B* independent tanks, primarily constructed of plane surfaces, the allowable membrane equivalent stresses applied for finite element analysis are not to exceed:

(a) for nickel steels and carbon-manganese steels, the lesser of $R_m/2$ or $R_e/1.2$;

(b) for austenitic steels, the lesser of $R_m/2.5$ or $R_e/1.2$; and

(c) for aluminium alloys, the lesser of $R_m/2.5$ or $R_e/1.2$.

The above figures may be amended, taking into account the locality of the stress, stress analysis methods and design condition considered in acceptance with the Society.

- (3) The thickness of the skin plate and the size of the stiffener is not to be less than those required for type *A* independent tanks.

2 Buckling

Buckling strength analyses of cargo tanks subject to external pressure and other loads causing compressive stresses are to be carried out as deemed appropriate by the Society. The method is to adequately account for the difference in theoretical and actual buckling stress as a result of plate edge misalignment, lack of straightness or flatness, ovality and deviation from true circular form over a specified arc or chord length, as applicable.

4.22.4 Fatigue Design Condition

1 Fatigue and crack propagation assessment are to be performed in accordance with 4.18.2. The acceptance criteria are to comply with 4.18.2-7, 4.18.2-8 or 4.18.2-9, depending on the detectability of the defect.

2 Fatigue analysis is to consider construction tolerances.

3 Where deemed necessary by the Society, model tests may be required to determine stress concentration factors and fatigue life of structural elements.

4.22.5 Accident Design Condition

1 The tanks and the tank supports are to be designed for the accidental loads and design conditions specified in 4.3.4(3) and 4.15, as applicable.

2 When subjected to the accidental loads specified in 4.15, the stress is to comply with the acceptance criteria specified in 4.22.3, modified as appropriate, taking into account their lower probability of occurrence.

4.22.6 Testing

Type *B* independent tanks are to be subjected to a hydrostatic or hydropneumatic test as follows:

- (1) the test is to be performed as required in 4.21.5 for type *A* independent tanks; and
- (2) in addition, the maximum primary membrane stress or maximum bending stress in primary members under test conditions is not to exceed 90% of the yield strength of the material (as fabricated) at the test temperature. To ensure that this condition is satisfied, when calculations indicate that this stress exceeds 75% of the yield strength, the prototype test is to be monitored by the use of strain gauges or other suitable equipment.

4.22.7 Marking

Any marking of the pressure vessel is to be achieved by a method that does not cause unacceptable local stress raisers.

4.23 Type C Independent Tanks (IGC Code 4.23)

4.23.1 Design Basis*

1 The design basis for type *C* independent tanks is based on pressure vessel criteria modified to include fracture mechanics and crack propagation criteria. The minimum design pressure defined in 4.23.1-2 is intended to ensure that the dynamic stress is sufficiently low, so that an initial surface flaw will not propagate more than half the thickness of the shell during the lifetime of the tank.

2 The design vapour pressure is to not be less than:

$$P_0 = 0.2 + A \cdot C (\rho_r)^{1.5} (\text{MPa})$$

where:

$$A = 0.00185 \left(\frac{\sigma_m}{\Delta\sigma_A} \right)^2$$

with:

σ_m : design primary membrane stress;

$\Delta\sigma_A$: allowable dynamic membrane stress (double amplitude at probability level $Q=10^{-8}$) and equal to:

55N/mm²: for ferritic-perlitic, martensitic and austenitic steel;

25N/mm²: for aluminium alloy (5083-O);

C: a characteristic tank dimension to be taken as the greatest of the following:

$$h, 0.75b \text{ or } 0.45l$$

with:

h: height of tank (dimension in ship's vertical direction) (*m*);

b: width of tank (dimension in ship's transverse direction) (*m*);

l: length of tank (dimension in ship's longitudinal direction) (*m*);

ρ_r : the relative density of the cargo ($\rho_r = 1$ for fresh water) at the design temperature.

When a specified design life of the tank is longer than 10^8 wave encounters, $\Delta\sigma_A$ is to be modified to give equivalent crack propagation corresponding to the design life.

3 The Society may allocate a tank complying with the criteria of type *C* tank minimum design pressure as in 4.23.1-2, to a type *A* or type *B*, dependent on the configuration of the tank and the arrangement of its supports and attachments.

4.23.2 Shell Thickness

1 The shell thickness is to be as follows:

- (1) For pressure vessels, the thickness calculated according to 4.23.2-4 is to be considered as a minimum thickness after forming, without any negative tolerance.
- (2) For pressure vessels, the minimum thickness of shell and heads including corrosion allowance, after forming, are not to be less

than 5 mm for carbon-manganese steels and nickel steels, 3 mm for austenitic steels or 7 mm for aluminium alloys.

- (3) The welded joint efficiency factor to be used in the calculation according to 4.23.2-4 is to be 0.95 when the inspection and the non-destructive testing referred to in 6.5.6-5 are carried out. This figure may be increased up to 1 when account is taken of other considerations, such as the material used, type of joints, welding procedure and type of loading. For process pressure vessels, the Society may accept partial non-destructive examinations, but not less than those of 6.5.6-5, depending on such factors as the material used, the design temperature, the nil-ductility transition temperature of the material, as fabricated, and the type of joint and welding procedure, but in this case an efficiency factor of not more than 0.85 is to be adopted. For special materials, the above-mentioned factors are to be reduced, depending on the specified mechanical properties of the welded joint.
- 2 The design liquid pressure defined in 4.13.2 is to be taken into account in the internal pressure calculations.
- 3 The design external pressure P_e , used for verifying the buckling of the pressure vessels, is not to be less than that given by:

$$P_e = P_1 + P_2 + P_3 + P_4 \text{ (MPa)}$$

where:

P_1 : setting value of vacuum relief valves. For vessels not fitted with vacuum relief valves, P_1 is to be specially considered, but is not, in general, to be taken as less than 0.025 MPa;

P_2 : the set pressure of the pressure relief valves (PRVs) for completely closed spaces containing pressure vessels or parts of pressure vessels; elsewhere $P_2=0$;

P_3 : compressive actions in or on the shell due to the weight and contraction of thermal insulation, weight of shell including corrosion allowance and other miscellaneous external pressure loads to which the pressure vessel may be subjected. These include, but are not limited to, weight of domes, weight of towers and piping, effect of product in the partially filled condition, accelerations and hull deflection. In addition, the local effect of external or internal pressures or both are to be taken into account; and

P_4 : external pressure due to head of water for pressure vessels or part of pressure vessels on exposed decks; elsewhere $P_4=0$.

- 4 Scantlings based on internal pressure are to be calculated as follows:

The thickness and form of pressure-containing parts of pressure vessels, under internal pressure, as defined in 4.13.2, including flanges, are to be determined according to requirements of Chapter 10, Part D. These calculations are in all cases to be based on accepted pressure vessel design theory. Openings in pressure-containing parts of pressure vessels are to be reinforced in accordance with Chapter 10, Part D.

- 5 Stress analysis in respect of static and dynamic loads is to be performed as follows:

- (1) Pressure vessel scantlings are to be determined in accordance with 4.23.2-1 to 4.23.2-4 and 4.23.3.
- (2) Calculations of the loads and stresses in way of the supports and the shell attachment of the support are to be made. Loads referred to in 4.12 to 4.15 are to be used, as applicable. Stresses in way of the supports are not to exceed 90% of the yield stress or 75% of the tensile strength of the material. In special cases a fatigue analysis may be required by the Society.
- (3) If required by the Society, secondary stresses and thermal stresses are to be specially considered.

4.23.3 Ultimate Design Condition*

1 Plastic deformation

- (1) For type C independent tanks, the allowable stresses are not to exceed:

$$\sigma_m \leq f$$

$$\sigma_L \leq 1.5f$$

$$\sigma_b \leq 1.5f$$

$$\sigma_L + \sigma_b \leq 1.5f$$

$$\sigma_m + \sigma_b \leq 1.5f$$

$$\sigma_m + \sigma_b + \sigma_g \leq 3.0f$$

$$\sigma_L + \sigma_b + \sigma_g \leq 3.0f$$

where:

σ_m : equivalent primary general membrane stress;

- σ_L : equivalent primary local membrane stress;
 σ_b : equivalent primary bending stress;
 σ_g : equivalent secondary stress; and
 f : $f =$ the lesser of R_m/A or R_e/B ,

with R_m and R_e as defined in 4.18.1(3). With regard to the stresses σ_m , σ_L , σ_b and σ_g , the definition of stress categories in 4.28.3 are referred.

Table N4.3 Values of A and B (Type C , Independent Tanks)

	Nickel steels and carbon manganese steels	Austenitic steels	Aluminium alloys
A	3	3.5	4
B	1.5	1.5	1.5

2 Buckling criteria are to be as follows: the thickness and form of pressure vessels subject to external pressure and other loads causing compressive stresses are to be based on calculations using accepted pressure vessel buckling theory and are to adequately account for the difference in theoretical and actual buckling stress as a result of plate edge misalignment, ovality and deviation from true circular form over a specified arc or chord length.

4.23.4 Fatigue Design Condition

For large type C independent tanks, where the cargo at atmospheric pressure is below -55°C , the Society may require additional verification to check their compliance with 4.23.1-1 regarding static and dynamic stress.

4.23.5 Accident Design Condition

1 The tanks and the tank supporting structures are to be designed for the accidental loads and design conditions specified in 4.3.4(3) and 4.15, as applicable.

2 When subjected to the accidental loads specified in 4.15, the stress is to comply with the acceptance criteria specified in 4.23.3-1, modified as appropriate taking into account their lower probability of occurrence.

4.23.6 Testing*

1 Each pressure vessel is to be subjected to a hydrostatic test at a pressure measured at the top of the tanks, of not less than $1.5 P_0$. In no case during the pressure test is the calculated primary membrane stress at any point to exceed 90% of the yield stress of the material. To ensure that this condition is satisfied where calculations indicate that this stress will exceed 0.75 times the yield strength, the prototype test is to be monitored by the use of strain gauges or other suitable equipment in pressure vessels other than simple cylindrical and spherical pressure vessels.

2 The temperature of the water used for the test is to be at least 30°C above the nil-ductility transition temperature of the material, as fabricated.

3 The pressure is to be held for $2 h$ per $25 mm$ of thickness, but in no case less than $2 h$.

4 Where necessary for cargo pressure vessels, a hydropneumatic test may be carried out under the conditions prescribed in 4.23.6-1 to 4.23.6-3.

5 Special consideration may be given to the testing of tanks in which higher allowable stresses are used, depending on service temperature. However, the requirements of 4.23.6-1 are to be fully complied with.

6 After completion and assembly, each pressure vessel and its related fittings are to be subjected to an adequate tightness test which may be performed in combination with the pressure testing referred to in 4.23.6-1.

7 Pneumatic testing of pressure vessels other than cargo tanks is only to be considered on an individual case basis. Such testing is only to be permitted for those vessels designed or supported such that they cannot be safely filled with water, or for those vessels that cannot be dried and are to be used in a service where traces of the testing medium cannot be tolerated.

4.23.7 Marking

The required marking of the pressure vessel is to be achieved by a method that does not cause unacceptable local stress raisers.

4.24 Membrane Tanks (IGC Code 4.24)**4.24.1 Design Basis***

1 The design basis for membrane containment systems is that thermal and other expansion or contraction is compensated for without undue risk of losing the tightness of the membrane.

2 A systematic approach based on analysis and testing is to be used to demonstrate that the system will provide its intended function in consideration of the events identified in service as specified in 4.24.2-1.

3 If the cargo temperature at atmospheric pressure is below -10°C , a complete secondary barrier is to be provided as required in 4.5. The secondary barrier is to be designed according to 4.6.

4 The design vapour pressure P_0 is not to normally exceed 0.025 MPa . If the hull scantlings are increased accordingly and consideration is given, where appropriate, to the strength of the supporting thermal insulation, P_0 may be increased to a higher value, but less than 0.07 MPa .

5 The definition of membrane tanks does not exclude designs such as those in which non-metallic membranes are used or where membranes are included or incorporated into the thermal insulation.

6 The thickness of the membranes is to not normally exceed 10 mm .

7 The circulation of inert gas throughout the primary insulation space and the secondary insulation space, in accordance with 9.2.1, is to be sufficient to allow for effective means of gas detection.

4.24.2 Design Considerations*

1 Potential incidents that could lead to loss of fluid tightness over the life of the membranes is to be evaluated. These include, but are not limited to:

(1) Ultimate design events:

- (a) tensile failure of membranes;
- (b) compressive collapse of thermal insulation;
- (c) thermal ageing;
- (d) loss of attachment between thermal insulation and hull structure;
- (e) loss of attachment of membranes to thermal insulation system;
- (f) structural integrity of internal structures and their supporting structures; and
- (g) failure of the supporting hull structure.

(2) Fatigue design events:

- (a) fatigue of membranes including joints and attachments to hull structure;
- (b) fatigue cracking of thermal insulation;
- (c) fatigue of internal structures and their supporting structures; and
- (d) fatigue cracking of inner hull leading to ballast water ingress.

(3) Accident design events:

- (a) accidental mechanical damage (such as dropped objects inside the tank while in service);
- (b) accidental overpressurization of thermal insulation spaces;
- (c) accidental vacuum in the tank; and
- (d) water ingress through the inner hull structure.

Designs where a single internal event could cause simultaneous or cascading failure of both membranes are unacceptable.

2 The necessary physical properties (mechanical, thermal, chemical, etc.) of the materials used in the construction of the cargo containment system are to be established during the design development in accordance with 4.24.1-2.

4.24.3 Loads and Load Combinations*

Particular consideration is to be given to the possible loss of tank integrity due to either an overpressure in the interbarrier space, a possible vacuum in the cargo tank, the sloshing effects, hull vibration effects, or any combination of these events.

4.24.4 Structural Analyses*

1 Structural analyses and/or testing for the purpose of determining the ultimate strength and fatigue assessments of the cargo containment and associated structures, e.g. structures as defined in 4.9, are to be performed. The structural analysis is to provide the data required to assess each failure mode that has been identified as critical for the cargo containment system.

2 Structural analyses of the hull are to take into account the internal pressure as indicated in 4.13.2. Special attention is to be paid to deflections of the hull and their compatibility with the membrane and associated thermal insulation.

3 The analyses referred to in 4.24.4-1 and 4.24.4-2 are to be based on the particular motions, accelerations and response of ships and cargo containment systems.

4.24.5 Ultimate Design Condition

1 The structural resistance of every critical component, subsystem or assembly is to be established, in accordance with 4.24.1-2, for in-service conditions.

2 The choice of strength acceptance criteria for the failure modes of the cargo containment system, its attachments to the hull structure and internal tank structures, is to reflect the consequences associated with the considered mode of failure.

3 The inner hull scantlings are to meet the requirements for deep tanks, taking into account the internal pressure as indicated in 4.13.2 and the specified appropriate requirements for sloshing load as defined in 4.14.3.

4.24.6 Fatigue Design Condition

1 Fatigue analysis is to be carried out for structures inside the tank, i.e. pump towers, and for parts of membrane and pump tower attachments, where failure development cannot be reliably detected by continuous monitoring.

2 The fatigue calculations are to be carried out in accordance with 4.18.2, with relevant requirements depending on:

- (1) the significance of the structural components with respect to structural integrity; and
- (2) availability for inspection.

3 For structural elements for which it can be demonstrated by tests and/or analyses that a crack will not develop to cause simultaneous or cascading failure of both membranes, C_w is to be less than or equal to 0.5.

4 Structural elements subject to periodic inspection, and where an unattended fatigue crack can develop to cause simultaneous or cascading failure of both membranes, are to satisfy the fatigue and fracture mechanics requirements stated in 4.18.2-8.

5 Structural element not accessible for in-service inspection, and where a fatigue crack can develop without warning to cause simultaneous or cascading failure of both membranes, is to satisfy the fatigue and fracture mechanics requirements stated in 4.18.2-9.

4.24.7 Accident Design Condition

1 The containment system and the supporting hull structure are to be designed for the accidental loads specified in 4.15. These loads need not be combined with each other or with environmental loads.

2 Additional relevant accident scenarios are to be determined based on a risk analysis. Particular attention is to be paid to securing devices inside tanks.

4.24.8 Design Development Testing*

1 The design development testing required in 4.24.1-2 is to include a series of analytical and physical models of both the primary and secondary barriers, including corners and joints, tested to verify that they will withstand the expected combined strains due to static, dynamic and thermal loads. This will culminate in the construction of a prototype-scaled model of the complete cargo containment system. Testing conditions considered in the analytical and physical models are to represent the most extreme service conditions the cargo containment system will be likely to encounter over its life. Proposed acceptance criteria for periodic testing of secondary barriers required in 4.6.2 may be based on the results of testing carried out on the prototype-scaled model.

2 The fatigue performance of the membrane materials and representative welded or bonded joints in the membranes is to be determined by tests. The ultimate strength and fatigue performance of arrangements for securing the thermal insulation system to the hull structure are to be determined by analyses or tests.

4.24.9 Testing*

1 In ships fitted with membrane cargo containment systems, all tanks and other spaces that may normally contain liquid and are adjacent to the hull structure supporting the membrane, are to be hydrostatically tested as deemed appropriate by the Society.

2 All hold structures supporting the membrane are to be tested for tightness before installation of the cargo containment system.

3 Pipe tunnels and other compartments that do not normally contain liquid need not be hydrostatically tested.

4.25 Integral Tanks (IGC Code 4.25)**4.25.1 Design Basis***

Integral tanks that form a structural part of the hull and are affected by the loads that stress the adjacent hull structure are to comply with the following:

- (1) the design vapour pressure P_0 as defined in 4.1.2 is not to normally exceed 0.025 MPa. If the hull scantlings are increased accordingly, P_0 may be increased to a higher value, but less than 0.07 MPa;
- (2) integral tanks may be used for products, provided the boiling point of the cargo is not below -10°C. A lower temperature may be accepted by the Society subject to special consideration, but in such cases a complete secondary barrier is to be provided; and
- (3) products required by Chapter 19 to be carried in type 1G ships are not to be carried in integral tanks.

4.25.2 Structural Analysis

The structural analysis of integral tanks is to be in accordance with recognized standards.

4.25.3 Ultimate Design Condition*

1 The tank boundary scantlings are to meet the requirements for deep tanks, taking into account the internal pressure as indicated in 4.13.2.

2 For integral tanks, allowable stresses are to normally be those given for hull structure in the requirements of the Society.

4.25.4 Accident Design Condition

1 The tanks and the tank supports are to be designed for the accidental loads specified in 4.3.4(3) and 4.15, as relevant.

2 When subjected to the accidental loads specified in 4.15, the stress is to comply with the acceptance criteria specified in 4.25.3, modified as appropriate, taking into account their lower probability of occurrence.

4.25.5 Testing*

All integral tanks are to be hydrostatically or hydropneumatically tested. The test is to be performed so that the stresses approximate, as far as practicable, to the design stresses and that the pressure at the top of the tank corresponds at least to the *MARVS*.

4.26 Semi-membrane Tanks (IGC Code 4.26)**4.26.1 Design Basis***

1 Semi-membrane tanks are non-self-supporting tanks when in the loaded condition and consist of a layer, parts of which are supported through thermal insulation by the adjacent hull structure, whereas the rounded parts of this layer connecting the above-mentioned supported parts are designed also to accommodate the thermal and other expansion or contraction.

2 The design vapour pressure P_0 is not to normally exceed 0.025 MPa. If the hull scantlings are increased accordingly, and consideration is given, where appropriate, to the strength of the supporting thermal insulation, P_0 may be increased to a higher value, but less than 0.07 MPa.

3 For semi-membrane tanks the relevant requirements in this section for independent tanks or for membrane tanks are to be applied as appropriate.

4 In the case of semi-membrane tanks that comply in all respects with the requirements applicable to type B independent tanks, except for the manner of support, the Society may, after special consideration, accept a partial secondary barrier.

4.27 Limit State Design for Novel Concepts (IGC Code 4.27)**4.27.1 General**

Cargo containment systems that are of a novel configuration that cannot be designed using sections 4.21 to 4.26 are to be designed using this section and 4.1 to 4.20, as applicable. Cargo containment system design according to this section is to be based on the principles of limit state design which is an approach to structural design that can be applied to established design solutions as well as novel designs. This more generic approach maintains a level of safety similar to that achieved for known containment systems as designed using 4.21 to 4.26.

4.27.2 Limit State Design

1 The limit state design is a systematic approach where each structural element is evaluated with respect to possible failure modes related to the design conditions identified in 4.3.4. A limit state can be defined as a condition beyond which the structure, or part of a structure, no longer satisfies the requirements.

2 For each failure mode, one or more limit states may be relevant. By consideration of all relevant limit states, the limit load for the structural element is found as the minimum limit load resulting from all the relevant limit states. The limit states are divided into the three following categories:

- (1) Ultimate limit states (*ULS*), which correspond to the maximum load-carrying capacity or, in some cases, to the maximum applicable strain or deformation; under intact (undamaged) conditions.
- (2) Fatigue limit states (*FLS*), which correspond to degradation due to the effect of time varying (cyclic) loading.
- (3) Accident limit states (*ALS*), which concern the ability of the structure to resist accidental situations.

4.27.3 Design Standard

The procedure and relevant design parameters of the limit state design are to comply with the Standards for the Use of limit state methodologies in the design of cargo containment systems of novel configuration (*LSD Standard*), as set out in **Annex 7 of Guidance**.

4.28 Guidance Notes for Chapter 4 (*IGC Code 4.28*)

4.28.1 Guidance to Detailed Calculation of Internal Pressure for Static Design Purpose*

1 This section provides guidance for the calculation of the associated dynamic liquid pressure for the purpose of static design calculations. This pressure may be used for determining the internal pressure referred to in 4.13.2-4, where:

- (1) $(P_{gd})_{max}$ is the associated liquid pressure determined using the maximum design accelerations.
- (2) $(P_{gd\,site})_{max}$ is the associated liquid pressure determined using site specific accelerations.
- (3) P_{eq} should be the greater of P_{eq1} and P_{eq2} calculated as follows:

$$P_{eq1} = P_0 + (P_{gd})_{max}(MPa)$$

$$P_{eq2} = P_h + (P_{gd\,site})_{max}(MPa)$$

2 The internal liquid pressures are those created by the resulting acceleration of the centre of gravity of the cargo due to the motions of the ship referred to in 4.14.1. The value of internal liquid pressure P_{gd} resulting from combined effects of gravity and dynamic accelerations should be calculated as follows:

$$P_{gd} = a_\beta \cdot z_\beta \frac{\rho}{1,02 \times 10^5} (MPa)$$

where:

a_β : dimensionless acceleration (i.e. relative to the acceleration of gravity), resulting from gravitational and dynamic loads, in an arbitrary direction β (see **Fig. N4.1**).

For large tanks, an acceleration ellipsoid taking account of transverse vertical and longitudinal accelerations, should be used.

z_β : largest liquid height (*m*) above the point where the pressure is to be determined measured from the tank shell in the β direction (see **Fig. N4.2** and **Fig. N4.3**).

Tank domes considered to be part of the accepted total tank volume are to be taken into account when determining z_β , unless the total volume of tank domes V_d does not exceed the following value:

$$V_d = V_t \frac{100 - FL}{FL}$$

with:

V_i : tank volume without any domes; and

FL : filling limit according to **Chapter 15**.

ρ : maximum cargo density (kg/m^3) at the design temperature.

The direction that gives the maximum value $(P_{gd})_{max}$ or $(P_{gd\,site})_{max}$ should be considered. The above formula applies only to full tanks.

3 Equivalent calculation procedures may be applied.

4.28.2 Guidance Formulae for Acceleration Components

The following formulae are given as guidance for the components of acceleration due to ship's motions corresponding to a probability level of 10^{-8} in the North Atlantic and apply to ships with a length exceeding 50 m and at or near their service speed:

- vertical acceleration, as defined in 4.14.1:

$$a_z = \pm a_0 \sqrt{1 + (5.3 - \frac{45}{L})^2 (\frac{x}{L} + 0.05)^2 (\frac{0.6}{C_b})^{1.5} + \left(\frac{0.6yK^{1.5}}{B}\right)^2}$$

- transverse acceleration, as defined in 4.14.1:

$$a_y = \pm a_0 \sqrt{0.6 + 2.5 (\frac{x}{L} + 0.05)^2 + K(1 + 0.6K\frac{z}{B})^2}$$

- longitudinal acceleration, as defined in 4.14.1:

$$a_x = \pm a_0 \sqrt{0.06 + A^2 - 0.25A}$$

where:

$$a_0 = 0.2 \frac{V}{\sqrt{L}} + \frac{34 - \frac{600}{L}}{L}$$

x : longitudinal distance (m) from amidships to the centre of gravity of the tank with contents; x is positive forward of amidships, negative aft of amidships;

y : transverse distance (m) from centreline to the centre of gravity of the tank with contents;

z : vertical distance (m) from the ship's actual waterline to the centre of gravity of tank with contents; z is positive above and negative below the waterline;

K : 1 in general. For particular loading conditions and hull forms, determination of K according to the following formula may be necessary:

$$K = 13GM/B,$$

where $K \geq 1.0$ and

GM : metacentric height (m);

$$A = (0.7 - \frac{L}{1200} + 5\frac{z}{L})(\frac{0.6}{C_b}); \text{ and}$$

V : Service speed ($knots$);

a_x, a_y, a_z : maximum dimensionless accelerations (i.e. relative to the acceleration of gravity) in the respective directions.

They are considered as acting separately for calculation purposes, and a_z does not include the component due to the static weight, a_y includes the component due to the static weight in the transverse direction due to rolling and a_x includes the component due to the static weight in the longitudinal direction due to pitching. The accelerations derived from the above formulae are applicable only to ships at or near their service speed, not while at anchor or otherwise near stationary in exposed locations.

4.28.3 Stress Categories

1 For the purpose of stress evaluation, stress categories are defined in this section as follows.

2 Normal stress is the component of stress normal to the plane of reference.

3 Membrane stress is the component of normal stress that is uniformly distributed and equal to the average value of the stress across the thickness of the section under consideration.

4 Bending stress is the variable stress across the thickness of the section under consideration, after the subtraction of the membrane stress.

5 Shear stress is the component of the stress acting in the plane of reference.

6 Primary stress is a stress produced by the imposed loading, which is necessary to balance the external forces and moments. The basic characteristic of a primary stress is that it is not self-limiting. Primary stresses that considerably exceed the yield strength will result in failure or at least in gross deformations.

7 Primary general membrane stress is a primary membrane stress that is so distributed in the structure that no redistribution of load occurs as a result of yielding.

8 Primary local membrane stress arises where a membrane stress produced by pressure or other mechanical loading and associated with a primary or a discontinuity effect produces excessive distortion in the transfer of loads for other portions of the structure. Such a stress is classified as a primary local membrane stress, although it has some characteristics of a secondary stress. A stress region may be considered as local, if:

$$S_1 \leq 0.5\sqrt{Rt} \text{ and}$$

$$S_2 \geq 2.5\sqrt{Rt},$$

where:

S_1 : distance in the meridional direction over which the equivalent stress exceeds $1.1f$;

S_2 : distance in the meridional direction to another region where the limits for primary general membrane stress are exceeded;

R : mean radius of the vessel;

t : wall thickness of the vessel at the location where the primary general membrane stress limit is exceeded; and

f : allowable primary general membrane stress.

9 Primary bending stress is a bending stress produced by pressure or other mechanical loading in areas without holistic and local structural discontinuity.

10 Secondary stress is a normal stress or shear stress developed by constraints of adjacent parts or by self-constraint of a structure. The basic characteristic of a secondary stress is that it is self-limiting. Local yielding and minor distortions can satisfy the conditions that cause the stress to occur.

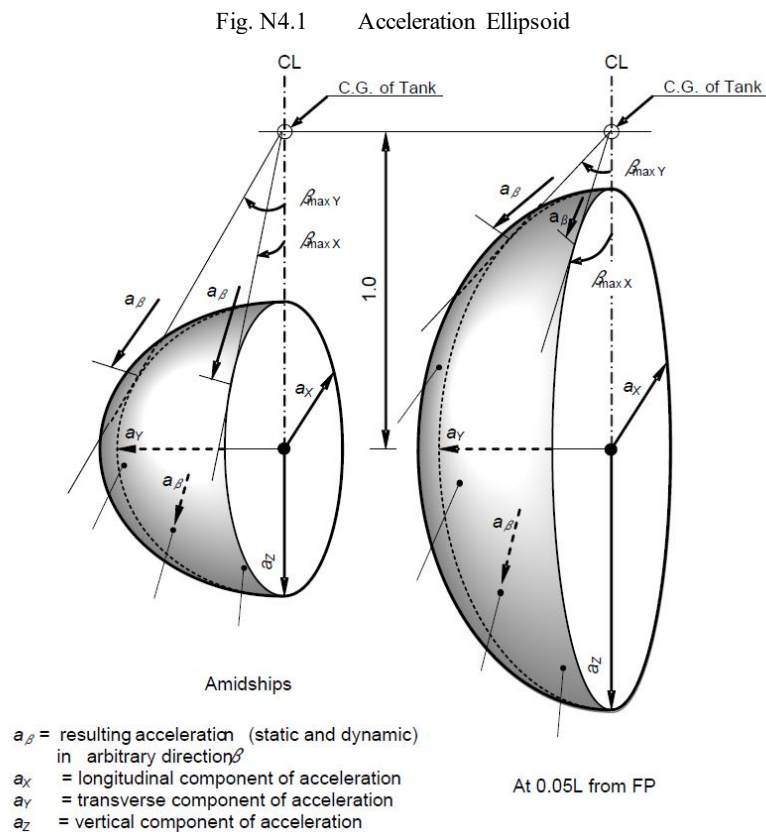


Fig. N4.2 Determination of Internal Pressure Heads

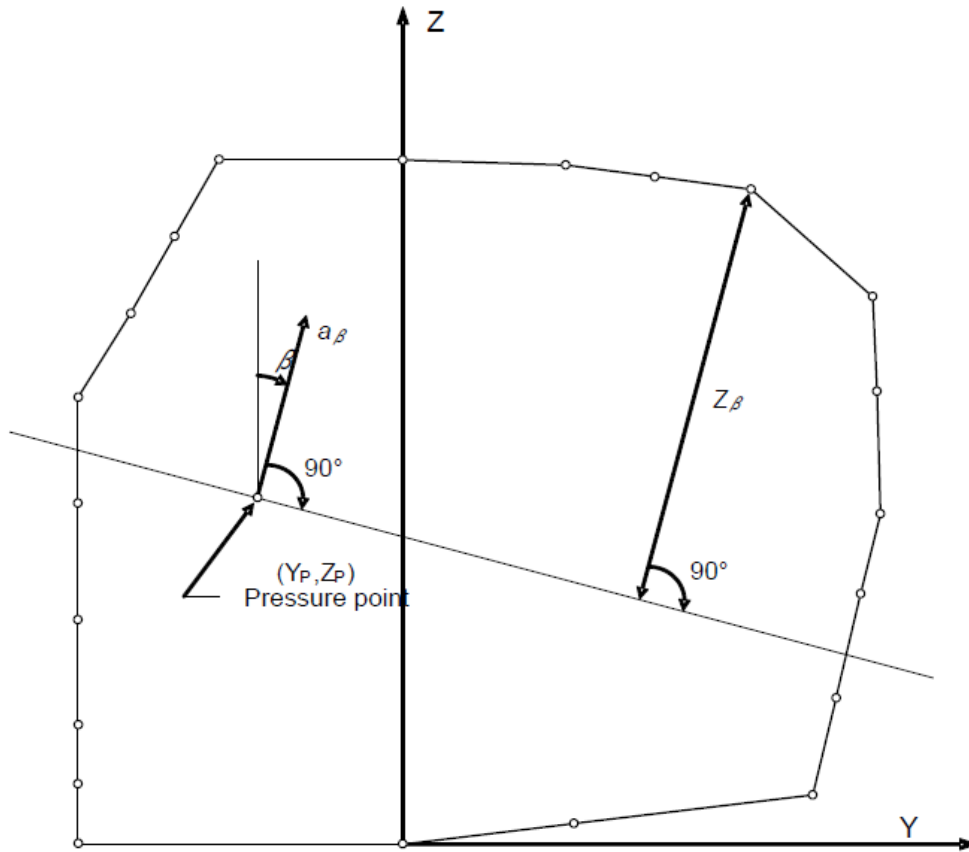


Fig. N4.3 Determination of Liquid Height z_β for Points 1, 2 and 3

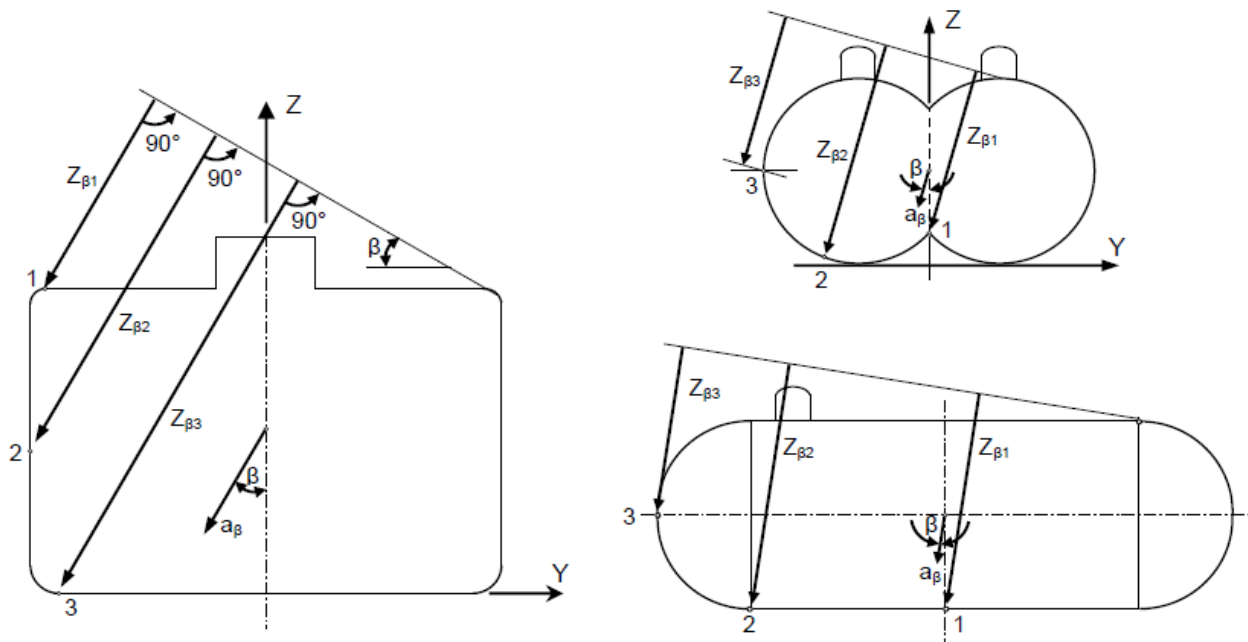
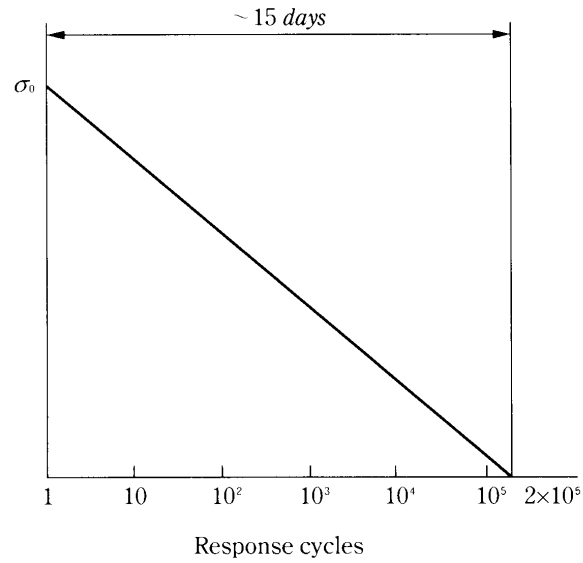


Fig. N4.4 Simplified Load Distribution



σ_0 : most probable maximum stress over the life of the ship Response cycle scale is logarithmic ; the value of 2×10^5 is given as an example of estimate.

Chapter 5 PROCESS PRESSURE VESSELS AND LIQUID, VAPOUR, AND PRESSURE PIPING SYSTEMS

5.1 General (*IGC Code 5.1*)

5.1.1 General*

The requirements of this Chapter are to apply to products and process piping, including vapour piping, gas fuel piping and vent lines of safety valves or similar piping. Auxiliary piping systems not containing cargo are exempt from the general requirements of this Chapter.

5.1.2 Process Pressure Vessels*

The requirements for type *C* independent tanks provided in [Chapter 4](#) of this Part may also apply to process pressure vessels if required by the Society. If so required, the term "pressure vessels" as used in [Chapter 4](#) of this Part, covers both type *C* independent tanks and process pressure vessels.

5.1.3 Definition of Process Pressure Vessels

Process pressure vessels include surge tanks, heat exchangers and accumulators that store or treat liquid or vapour cargo.

5.2 System Requirements (*IGC Code 5.2*)

5.2.1 Cargo Handling and Cargo Control Systems

The cargo handling and cargo control systems are to be designed taking into account the following (1) to (5):

- (1) prevention of an abnormal condition escalating to a release of liquid or vapour cargo;
- (2) the safe collection and disposal of cargo fluids released;
- (3) prevention of the formation of flammable mixtures;
- (4) prevention of ignition of flammable liquids or gases and vapours released; and
- (5) limiting the exposure of personnel to fire and other hazards.

5.2.2 Arrangements: General*

1 Any piping system that may contain cargo liquid or vapour is:

- (1) to be segregated from other piping systems, except where interconnections are required for cargo-related operations such as purging, gas-freeing or inerting. The requirements of [9.4.4](#) are to be taken into account with regard to preventing back-flow of cargo. In such cases, precautions are to be taken to ensure that cargo or cargo vapour cannot enter other piping systems through the interconnections;
- (2) except as provided in [Chapter 16](#) of this Part, not to pass through any accommodation space, service space or control station or through a machinery space other than a cargo machinery space;
- (3) to be connected to the cargo containment system directly from the weather decks except where pipes installed in a vertical trunkway or equivalent are used to traverse void spaces above a cargo containment system and except where pipes for drainage, venting or purging traverse cofferdams;
- (4) to be located in the cargo area above the weather deck except for bow or stern loading and unloading arrangements in accordance with [3.8](#), emergency cargo jettisoning piping systems in accordance with [5.3.1](#), turret compartment systems in accordance with [5.3.3](#) and except in accordance with [Chapter 16](#) of this Part; and
- (5) to be located inboard of the transverse tank location requirements of [2.4.1](#), except for athwartship shore connection piping not subject to internal pressure at sea or emergency cargo jettisoning piping systems.

2 Suitable means are to be provided to relieve the pressure and remove liquid cargo from loading and discharging crossover headers; likewise, any piping between the outermost manifold valves and loading arms or cargo hoses to the cargo tanks, or other suitable location, prior to disconnection.

3 Piping systems carrying fluids for direct heating or cooling of cargo are not to be led outside the cargo area unless a suitable means is provided to prevent or detect the migration of cargo vapour outside the cargo area (See [13.6.2\(6\)](#)).

4 Relief valves discharging liquid cargo from the piping system are to discharge into the cargo tanks. Alternatively, they may discharge to the cargo vent mast, if means are provided to detect and dispose of any liquid cargo that may flow into the vent system. Where required to prevent overpressure in downstream piping, relief valves on cargo pumps are to discharge to the pump suction.

5.3 Arrangements for Cargo Piping outside the Cargo Area (*IGC Code 5.3*)

5.3.1 Emergency Cargo Jettisoning*

If fitted, an emergency cargo jettisoning piping system is to comply with 5.2.2, as appropriate, and may be led aft, external to accommodation spaces, service spaces or control stations or machinery spaces, but is not to pass through them. If an emergency cargo jettisoning piping system is permanently installed, a suitable means of isolating the piping system from the cargo piping is to be provided within the cargo area.

5.3.2 Bow and Stern Loading Arrangements

1 Subject to the requirements of 3.8, this section and 5.10.1, cargo piping may be arranged to permit bow or stern loading and unloading.

2 Arrangements are to be made to allow such piping to be purged and gas-freed after use. When not in use, the spool pieces are to be removed and the pipe ends blank-flanged. The vent pipes connected with the purge are to be located in the cargo area.

5.3.3 Turret Compartment Transfer Systems

For the transfer of liquid or vapour cargo through an internal turret arrangement located outside the cargo area, the piping serving this purpose is to comply with 5.2.2, as applicable, 5.10.2 and the following (1) to (3):

- (1) piping is to be located above the weather deck, except for the connection to the turret;
- (2) portable arrangements are not to be permitted; and
- (3) arrangements are to be made to allow such piping to be purged and gas-freed after use. When not in use, the spool pieces for isolation from the cargo piping are to be removed and the pipe ends blank-flanged. The vent pipes connected with the purge are to be located in the cargo area.

5.3.4 Gas Fuel Piping Systems

Gas fuel piping in machinery spaces are to comply with all applicable sections of this Chapter in addition to the requirements of Chapter 16 of this Part.

5.4 Design Pressure (*IGC Code 5.4*)

5.4.1 General

The design pressure P_0 used to determine minimum scantlings of piping and piping system components, is not to be less than the maximum gauge pressure to which the system may be subjected in service. The minimum design pressure used is not to be less than 1 MPa gauge, except for open-ended lines or pressure relief valve discharge lines, where it is not to be less than the lower of 0.5 MPa gauge, or 10 times the relief valve set pressure.

5.4.2 Design Pressure*

The greater of the following design conditions (1) to (5) are to be used for piping, piping systems and components, based on the cargoes being carried:

- (1) for vapour piping systems or components that may be separated from their relief valves and which may contain some liquid, the saturated vapour pressure at a design temperature of 45°C. Higher or lower values may be used (See 4.13.2-2); or
- (2) for systems or components that may be separated from their relief valves and which contain only vapour at all times, the superheated vapour pressure at 45°C. Higher or lower values may be used (See 4.13.2-2), assuming an initial condition of saturated vapour in the system at the system operating pressure and temperature; or
- (3) the *MARIS* of the cargo tanks and cargo processing systems; or
- (4) the pressure setting of the associated pump or compressor discharge relief valve; or
- (5) the maximum total discharge or loading head of the cargo piping system considering all possible pumping arrangements or the relief valve setting on a pipeline system.

5.4.3 Liquid Piping Systems that may be subjected to Surge Pressures

Those parts of the liquid piping systems that may be subjected to surge pressures are to be designed to withstand this pressure.

5.4.4 Design Pressures of the Outer Pipe or Duct of Gas Fuel Systems

The design pressure of the outer pipe or duct of gas fuel systems is not to be less than the maximum working pressure of the inner gas pipe. Alternatively, for gas fuel piping systems with a working pressure greater than 1 MPa, the design pressure of the outer duct is not to be less than the maximum built-up pressure arising in the annular space considering the local instantaneous peak pressure in way of any rupture and the ventilation arrangements.

5.5 Cargo System Valve Requirements (IGC Code 5.5)**5.5.1 Stop Valves**

1 Every cargo tank and piping system is to be fitted with manually operated valves for isolation purposes as specified in this Section.

2 In addition, remotely operated valves are also to be fitted, as appropriate, as part of the emergency shutdown (*ESD*) system the purpose of which is to stop cargo flow or leakage in the event of an emergency when cargo liquid or vapour transfer is in progress. The *ESD* system is intended to return the cargo system to a safe static condition so that any remedial action can be taken. Due regard is to be given in the design of the *ESD* system to avoid the generation of surge pressures within the cargo transfer pipework. The equipment to be shut down on *ESD* activation includes manifold valves during loading or discharge, any pump or compressor, etc., transferring cargo internally or externally (e.g. to shore or another ship/barge) and cargo tank valves, if the *MARVS* exceeds 0.07 MPa.

5.5.2 Cargo Tank Connections*

1 All liquid and vapour connections, except for safety relief valves and liquid level gauging devices, are to have shutoff valves located as close to the tank as practicable. These valves are to provide full closure and are to be capable of local manual operation. They may also be capable of remote operation.

2 For cargo tanks with a *MARVS* exceeding 0.07 MPa gauge, the above connections are to be equipped with remotely controlled *ESD* valves. These valves are to be located as close to the tank as practicable. A single valve may be substituted for the two separate valves, provided the valve complies with the requirements of 18.3.1-2 and provides full closure of the line.

5.5.3 Cargo Manifold Connections*

1 One remotely controlled *ESD* valve is to be provided at each cargo transfer connection in use to stop liquid and vapour transfer to or from the ship. Transfer connections not in use are to be isolated with suitable blank flanges.

2 If the cargo tank *MARVS* exceeds 0.07 MPa, an additional manual valve is to be provided for each transfer connection in use, and may be inboard or outboard of the *ESD* valve to suit the ship's design.

5.5.4 Excess Flow Valves

Excess flow valves may be used in lieu of *ESD* valves, if the diameter of the protected pipe does not exceed 50 mm. Excess flow valves are to close automatically at the rated closing flow of vapour or liquid as specified by the manufacturer. The piping including fittings, valves and appurtenances protected by an excess flow valve is to have a capacity greater than the rated closing flow of the excess flow valve. Excess flow valves may be designed with a bypass not exceeding the area of 1 mm diameter circular opening to allow equalization of pressure after a shutdown activation.

5.5.5 Cargo Tank Connections for Gauging or Measuring Devices

Cargo tank connections for gauging or measuring devices need not be equipped with excess flow valves or *ESD* valves, provided that the devices are constructed so that the outward flow of tank contents cannot exceed that passed by a 1.5 mm diameter circular hole.

5.5.6 Relief Valves*

All pipelines or components which may be isolated in a liquid full condition are to be protected with relief valves for thermal expansion and evaporation.

5.5.7 Pressure Relief Valves

All pipelines or components which may be isolated automatically due to a fire with a liquid volume of more than 0.05 m³ entrapped are to be provided with *PRVs* sized for a fire condition.

5.6 Cargo Transfer Arrangements (IGC Code 5.6)

5.6.1 Means of Cargo Transfer*

Where cargo transfer is by means of cargo pumps that are not accessible for repair with the tanks in service, at least two separate means are to be provided to transfer cargo from each cargo tank, and the design is to be such that failure of one cargo pump or means of transfer will not prevent the cargo transfer by another pump or pumps, or other cargo transfer means.

5.6.2 Cargo Transfer by Gas Pressurization*

The procedure for transfer of cargo by gas pressurization is to preclude lifting of the relief valves during such transfer. Gas pressurization may be accepted as a means of transfer of cargo for those tanks where the design factor of safety is not reduced under the conditions prevailing during the cargo transfer operation. If the cargo tank relief valves or set pressure are changed for this purpose, as it is permitted in accordance with 8.2.7, 8.2.8, 8.5.3 and 8.5.4, the new set pressure is not to exceed P_h as is defined in 4.13.2.

5.6.3 Vapour Return Connections

Connections for vapour return to the shore installations are to be provided.

5.6.4 Cargo Tank Vent Piping Systems

The pressure relief system is to be connected to a vent piping system designed to minimize the possibility of cargo vapour accumulating on the decks, or entering accommodation spaces, service spaces, control stations and machinery spaces, or other spaces where it may create a dangerous condition.

5.6.5 Cargo Sampling Connections*

1 Connections to cargo piping systems for taking cargo liquid samples are to be clearly marked and are to be designed to minimize the release of cargo vapours. For vessels permitted to carry toxic products, the sampling system is to be of a closed loop design to ensure that cargo liquid and vapour are not vented to atmosphere.

2 Liquid sampling systems are to be provided with two valves on the sample inlet. One of these valves is to be of the multi-turn type to avoid accidental opening, and is to be spaced far enough apart to ensure that they can isolate the line if there is blockage, by ice or hydrates for example.

3 On closed loop systems, the valves on the return pipe are also to comply with -2 above.

4 The connection to the sample container is to comply with recognized standards and be supported so as to be able to support the weight of a sample container. Threaded connections are to be tack-welded, or otherwise locked, to prevent them being unscrewed during the normal connection and disconnection of sample containers. The sample connection is to be fitted with a closure plug or flange to prevent any leakage when the connection is not in use.

5 Sample connections used only for vapour samples may be fitted with a single valve in accordance with 5.5, 5.8 and 5.13, and are also to be fitted with a closure plug or flange.

5.6.6 Cargo Filters

The cargo liquid and vapour systems are to be capable of being fitted with filters to protect against damage by extraneous objects. Such filters may be permanent or temporary, and the standards of filtration are to be appropriate to the risk of debris, etc., entering the cargo system. Means are to be provided to indicate that filters are becoming blocked, and to isolate, depressurize and clean the filters safely.

5.7 Installation Requirements (Related to IGC Code 5.7)

5.7.1 Design for Expansion and Contraction

Provision are to be made to protect the piping, piping system and components and cargo tanks from excessive stresses due to thermal movement and from movements of the tank and hull structure. The preferred method outside the cargo tanks is by means of offsets, bends or loops, but multi-layer bellows may be used if offsets, bends or loops are not practicable.

5.7.2 Precautions against Low Temperatures*

Low temperature piping is to be thermally isolated from the adjacent hull structure, where necessary, to prevent the temperature of the hull from falling below the design temperature of the hull material. Where liquid piping is dismantled regularly, or where liquid leakage may be anticipated, such as at shore connections and at pump seals, protection for the hull beneath is to be provided.

5.7.3 Water Curtain

For cargo temperatures below -110°C , a water distribution system is to be fitted in way of the hull under the shore connections to provide a low-pressure water curtain for additional protection of the hull steel and the ship's side structure. This system is in addition to the requirements of **11.3.1(4)**, and is to be operated when cargo transfer is in progress.

5.7.4 Bonding*

1 Where tanks or cargo piping and piping equipment are separated from the ship's structure by thermal isolation, provision is to be made for electrically bonding both the piping and the tanks. All gasketed pipe joints and hose connections are to be electrically bonded. Except where bonding straps are used, it is to be demonstrated that the electrical resistance of each joint or connection is less than $1\text{ M}\Omega$.

2 In addition to **-1** above, cargo tanks and cargo piping systems are to comply with the requirements specified in **14.2.2-7, Part D of the Rules** (in this case the term "cargo oil" is to be read as "cargo").

5.8 Piping Fabrication and Joining Details (IGC Code 5.8)**5.8.1 General***

The requirements of this section apply to piping inside and outside the cargo tanks. Relaxation from these requirements may be accepted, in accordance with recognized standards for piping inside cargo tanks and open-ended piping.

5.8.2 Direct Connections*

The following direct connection of pipe lengths, without flanges, may be considered:

- (1) butt-welded joints with complete penetration at the root may be used in all applications. For design temperatures colder than -10°C , butt welds are to be either double welded or equivalent to a double welded butt joint. This may be accomplished by use of a backing ring, consumable insert or inert gas backup on the first pass. For design pressures in excess of 1 MPa and design temperatures of -10°C or colder, backing rings are to be removed;
- (2) slip-on welded joints with sleeves and related welding, having dimensions in accordance with recognized standards, are only to be used for instrument lines and open-ended lines with an external diameter of 50 mm or less and design temperatures not colder than -55°C ; and
- (3) screwed couplings complying with recognized standards are only to be used for accessory lines and instrumentation lines with external diameters of 25 mm or less.

5.8.3 Flanged Connections*

1 Flanges in flanged connections are to be of the welded neck, slip-on or socket welded type.

2 Flanges are to comply with recognized standards for their type, manufacture and test. For all piping, except open ended, the following restrictions apply:

- (1) for design temperatures colder than -55°C , only welded-neck flanges are to be used; and
- (2) for design temperatures colder than -10°C , slip-on flanges are not to be used in nominal sizes above 100 mm and socket welded flanges are not to be used in nominal sizes above 50 mm .

5.8.4 Expansion Joints

Where bellows and expansion joints are provided in accordance with **5.7.1**, the following requirements apply:

- (1) if necessary, bellows are to be protected against icing; and
- (2) slip joints are not to be used except within the cargo tanks.

5.8.5 Other Connections

Piping connections are to be joined in accordance with **5.8.2** to **5.8.4**, but for other exceptional cases alternative arrangements approved by the Administration may be acceptable.

5.9 Welding, Post-weld Heat Treatment and Non-destructive Testing (IGC Code 5.9)**5.9.1 General**

Welding is to be carried out in accordance with **6.5**.

5.9.2 Post-weld Heat Treatment*

Post-weld heat treatment is to be required for all butt welds of pipes made with carbon, carbon-manganese and low alloy steels. The Administration or the Society may waive the requirements for thermal stress relieving of pipes with wall thickness less than 10 mm in relation to the design temperature and pressure of the piping system concerned.

5.9.3 Non-destructive Testing*

In addition to normal controls before and during the welding, and to the visual inspection of the finished welds, as necessary for proving that the welding has been carried out correctly and according to the requirements of this Chapter, the following tests are to be required:

- (1) 100% radiographic or ultrasonic inspection of butt-welded joints for piping systems with design temperatures colder than -10°C , and with inside diameters of more than 75 mm, or wall thicknesses greater than 10 mm;
- (2) when such butt-welded joints of piping sections are made by automatic welding procedures approved by the Administration or the Society, then a progressive reduction in the extent of radiographic or ultrasonic inspection can be agreed, but in no case to less than 10% of each joint. If defects are revealed, the extent of examination is to be increased to 100% and is to include inspection of previously accepted welds. This approval can only be granted if well-documented quality assurance procedures and records are available to assess the ability of the manufacturer to produce satisfactory welds consistently; and
- (3) for other butt-welded joints of pipes not covered by (1) and (2) above, spot radiographic or ultrasonic inspection or other non-destructive tests are to be carried out depending upon service, position and materials. In general, at least 10% of butt-welded joints of pipes are to be subjected to radiographic or ultrasonic inspection.

5.10 Installation Requirements for Cargo Piping outside the Cargo Area (IGC Code 5.10)**5.10.1 Bow and Stern Loading Arrangements**

The following requirements are to apply to cargo piping and related piping equipment located outside the cargo area:

- (1) cargo piping and related piping equipment outside the cargo area are to have only welded connections. The piping outside the cargo area is to run on the weather decks and is to be at least 0.8 m inboard, except for athwartships shore connection piping. Such piping is to be clearly identified and fitted with a shutoff valve at its connection to the cargo piping system within the cargo area. At this location, it is also to be capable of being separated by means of a removable spool piece and blank flanges, when not in use; and
- (2) the piping is to be full penetration butt-welded and subjected to full radiographic or ultrasonic inspection, regardless of pipe diameter and design temperature. Flange connections in the piping are only to be permitted within the cargo area and at the shore connection.

5.10.2 Turret Compartment Transfer Systems

The following requirements are to apply to liquid and vapour cargo piping where it is run outside the cargo area:

- (1) cargo piping and related piping equipment outside the cargo area are to have only welded connections; and
- (2) the piping is to be full penetration butt-welded, and subjected to full radiographic or ultrasonic inspection, regardless of pipe diameter and design temperature. Flange connections in the piping are only to be permitted within the cargo area and at connections to cargo hoses and the turret connection.

5.10.3 Gas Fuel Piping

Gas fuel piping, as far as practicable, is to have welded joints. Those parts of the gas fuel piping that are not enclosed in a ventilated pipe or duct according to 16.4.3, and are on the weather decks outside the cargo area, are to have full penetration butt-welded joints and are to be subjected to full radiographic or ultrasonic inspection.

5.11 Piping System Component Requirements (IGC Code 5.11)**5.11.1 Piping Scantlings**

Piping systems are to be designed in accordance with recognized standards.

5.11.2 Pipe Wall Thickness*

- 1 The criteria specified in the following -2 to -4 are to be used for determining pipe wall thickness.

2 The wall thickness of pipes is not to be less than:

$$t = \frac{t_0 + b + c}{1 - \frac{a}{100}} (mm)$$

where:

t_0 : theoretical thickness, determined by the following formula:

$$t_0 = PD / (2Ke + P) (mm)$$

with

P : design pressure (MPa) referred to in 5.4;

D : outside diameter (mm);

K : allowable stress (N/mm²) referred to in 5.11.3;

e : efficiency factor equal to 1.0 for seamless pipes and for longitudinally or spirally welded pipes, delivered by approved manufacturers of welded pipes, that are considered equivalent to seamless pipes when non-destructive testing on welds is carried out in accordance with recognized standards. In other cases, an efficiency factor of less than 1.0, in accordance with recognized standards, may be required, depending on the manufacturing process;

b : allowance for bending (mm). The value of b is to be chosen so that the calculated stress in the bend, due to internal pressure only, does not exceed the allowable stress. Where such justification is not given, b is to be:

$$b = \frac{Dt_0}{2.5r} (mm)$$

with:

r : mean radius of the bend (mm);

c : corrosion allowance (mm). If corrosion or erosion is expected, the wall thickness of the piping is to be increased over that required by other design requirements. This allowance is to be consistent with the expected life of the piping; and

a : negative manufacturing tolerance for thickness (%).

3 The minimum wall thickness is to be in accordance with recognized standards.

4 Where necessary for mechanical strength to prevent damage, collapse, excessive sag or buckling of pipes due to superimposed loads, the wall thickness is to be increased over that required by 5.11.2-2 or, if this is impracticable or would cause excessive local stresses, these loads may be reduced, protected against or eliminated by other design methods. Such superimposed loads may be due to: supporting structures, ship deflections, liquid pressure surges during transfer operations, the weights of suspended valves, reactions to loading arm connections, or otherwise.

5.11.3 Allowable Stress

For pipes, the allowable stress K referred to in the formula in 5.11.2 is the lower of the following values:

$$\frac{R_m}{A} \text{ or } \frac{R_e}{B}$$

where:

R_m : specified minimum tensile strength at room temperature (N/mm²); and

R_e : specified minimum yield stress at room temperature (N/mm²). If the stress-strain curve does not show a defined yield stress, the 0.2% proof stress applies.

The values of A and B are to have values of at least $A = 2.7$ and $B = 1.8$.

5.11.4 High-pressure Gas Fuel Outer Pipes or Ducting Scantlings

In fuel gas piping systems of design pressure greater than the critical pressure, the tangential membrane stress of a straight section of pipe or ducting is not to exceed the tensile strength divided by 1.5 ($R_m / 1.5$) when subjected to the design pressure specified in 5.4. The pressure ratings of all other piping components are to reflect the same level of strength as straight pipes.

5.11.5 Stress Analysis*

When the design temperature is -110°C or lower, a complete stress analysis, taking into account all the stresses due to the weight of pipes, including acceleration loads if significant, internal pressure, thermal contraction and loads induced by hog and sag of the ship for each branch of the piping system is to be submitted to the Society. For temperatures above -110°C , a stress analysis may be required by the Society in relation to such matters as the design or stiffness of the piping system and the choice of materials. In any case, consideration is to be given to thermal stresses even though calculations are not submitted. The analysis may be carried out according to a code of practice acceptable to the Society.

5.11.6 Flanges, Valves and Fittings*

1 Flanges, valves and other fittings are to comply with recognized standards, taking into account the material selected and the design pressure defined in 5.4. For bellows expansion joints used in vapour service, a lower minimum design pressure may be accepted by the Society.

2 For flanges not complying with a recognized standard, the dimensions of flanges and related bolts are to be to the satisfaction of the Administration or the Society.

3 All emergency shutdown valves are to be of the “fail-closed” type (See 5.13.1-1 and 18.3.1-2).

4 The design and installation of expansion bellows are to be in accordance with recognized standards and be fitted with means to prevent damage due to over-extension or compression.

5.11.7 Ship’s Cargo Hoses*

1 Liquid and vapour hoses used for cargo transfer are to be compatible with the cargo and suitable for the cargo temperature.

2 Hoses subject to tank pressure, or the discharge pressure of pumps or vapour compressors, are to be designed for a bursting pressure not less than five times the maximum pressure the hose will be subjected to during cargo transfer.

3 Each new type of cargo hose, complete with end-fittings, is to be prototype-tested at a normal ambient temperature, with 200 pressure cycles from zero to at least twice the specified maximum working pressure. After this cycle pressure test has been carried out, the prototype test is to demonstrate a bursting pressure of at least 5 times its specified maximum working pressure at the upper and lower extreme service temperature. Hoses used for prototype testing are not to be used for cargo service. Thereafter, before being placed in service, each new length of cargo hose produced is to be hydrostatically tested at ambient temperature to a pressure not less than 1.5 times its specified maximum working pressure, but not more than two fifths of its bursting pressure. The hose is to be stencilled, or otherwise marked, with the date of testing, its specified maximum working pressure and, if used in services other than ambient temperature services, its maximum and minimum service temperature, as applicable. The specified maximum working pressure is not to be less than 1 MPa gauge.

5.12 Materials (IGC Code 5.12)**5.12.1 Materials***

The choice and testing of materials used in piping systems are to comply with the requirements of Chapter 6 of this Part, taking into account the minimum design temperature. However, some relaxation may be permitted by the Society in the quality of material of open-ended vent piping, provided that the temperature of the cargo at the pressure relief valve setting is not lower than -55°C, and that no liquid discharge to the vent piping can occur. Similar relaxations may be permitted under the same temperature conditions to open-ended piping inside cargo tanks, excluding discharge piping and all piping inside membrane and semi-membrane tanks.

5.12.2 Materials Having a Lower Melting Point*

Materials having a melting point below 925°C are not to be used for piping outside the cargo tanks except for short lengths of pipes attached to the cargo tanks, in which case fire-resisting insulation is to be provided.

5.12.3 Cargo Piping Insulation System

1 Cargo piping systems are to be provided with a thermal insulation system as required to minimize heat leak into the cargo during transfer operations and to protect personnel from direct contact with cold surfaces.

2 Where applicable, due to location or environmental conditions, insulation materials are to have suitable properties of resistance to fire and flame spread and are to be adequately protected against penetration of water vapour and mechanical damage.

5.12.4 Corrosion Protection Measures for Cargo Piping

Where the cargo piping system is of a material susceptible to stress corrosion cracking in the presence of a salt-laden atmosphere, adequate measures to avoid this occurring are to be taken by considering material selection, protection of exposure to salty water and/or readiness for inspection.

5.12.5 Outer Pipes or Ducts in which Gas Fuel Piping is Installed

The effects of both pressure and possible low temperature in the event of a high pressure line failure are to be taken into account for materials used for an outer pipe or a duct equipped with mechanical exhaust ventilation having a capacity of at least 30 air changes per hour in accordance with 16.4.3(2).

5.13 Testing Requirements (IGC Code 5.13)**5.13.1 Type Testing of Piping Components*****1 Valves**

Each type of valve intended to be used at a working temperature below -55°C is to be subject to the following type tests:

- (1) each size and type of valve is to be subjected to seat tightness testing over the full range of operating pressures for bi-directional flow and temperatures, at intervals, up to the rated design pressure of the valve. Allowable leakage rates are to be to the requirements of the Administration or the Society. During the testing, satisfactory operation of the valve is to be verified;
- (2) the flow or capacity is to be certified to a recognized standard for each size and type of valve;
- (3) pressurized components are to be pressure tested to at least 1.5 times the rated pressure; and
- (4) for emergency shutdown valves, with materials having melting temperatures lower than 925°C , the type testing is to include a fire test to a standard acceptable to the Society.

2 Expansion bellows

The following type tests are to be performed on each type of expansion bellows intended for use on cargo piping outside the cargo tank and where required by the Administration or the Society, on those installed within the cargo tanks:

- (1) elements of the bellows, not pre-compressed, are to be pressure tested at not less than five times the design pressure without bursting. The duration of the test is not to be less than 5 minutes;
- (2) a pressure test is to be performed on a type expansion joint, complete with all the accessories such as flanges, stays and articulations, at the minimum design temperature and twice the design pressure at the extreme displacement conditions recommended by the manufacturer, without permanent deformation;
- (3) a cyclic test (thermal movements) is to be performed on a complete expansion joint, which is to withstand at least as many cycles under the conditions of pressure, temperature, axial movement, rotational movement and transverse movement as it will encounter in actual service. Testing at ambient temperature is permitted when this testing is at least as severe as testing at the service temperature; and
- (4) a cyclic fatigue test (ship deformation) is to be performed on a complete expansion joint, without internal pressure, by simulating the bellows movement corresponding to a compensated pipe length, for at least 2,000,000 cycles at a frequency not higher than 5 Hz. This test is only required when, due to the piping arrangement, ship deformation loads are actually experienced.

5.13.2 System Testing Requirements*

1 The requirements of section are to apply to piping inside and outside the cargo tanks.

2 After assembly, all cargo and process piping are to be subjected to a strength test with a suitable fluid. The test pressure is to be at least 1.5 times the design pressure (1.25 times the design pressure where the test fluid is compressible) for liquid lines and 1.5 times the maximum system working pressure (1.25 times the maximum system working pressure where the test fluid is compressible) for vapour lines. When piping systems or parts of systems are completely manufactured and equipped with all fittings, the test may be conducted prior to installation on board the ship. Joints welded on board are to be tested to at least 1.5 times the design pressure.

3 After assembly on board, each cargo and process piping system is to be subjected to a leak test using air, or other suitable medium, to a pressure depending on the leak detection method applied.

4 In double wall gas-fuel piping systems, the outer pipe or duct is also to be pressure tested to show that it can withstand the expected maximum pressure at gas pipe rupture.

5 All piping systems, including valves, fittings and associated equipment for handling cargo or vapours, are to be tested under normal operating conditions not later than at the first loading operation, in accordance with recognized standards.

5.13.3 Emergency Shutdown Valves

The closing characteristics of emergency shutdown valves used in liquid cargo piping systems are to be tested to demonstrate compliance with **18.3.1-2(1)(c)**. This testing may be carried out on board after installation.

5.14 Operating Requirements

5.14.1 Application

The provisions in 5.14 are not related to surveys necessary for the maintenance of classification, but indicate those matters which are to be strictly observed by the shipowner or the ship master as well as all other persons responsible for the ship's operation.

5.14.2 Bow and Stern Loading Arrangements (Related to IGC Code 5.3.2)

Cargo piping used for bow and stern loading is to be purged and gas-freed after use. When not in use, spool pieces are to be removed and pipe ends blank-flanged.

5.14.3 Turret Compartment Transfer Systems (Related to IGC Code 5.3.3)

Piping for the transfer of liquid or vapour cargo through an internal turret arrangement located outside the cargo area is to be purged and gas-freed after use. When not in use, the spool pieces for isolation from the cargo piping are to be removed and the pipe ends blank-flanged.

5.14.4 Sampling Operations (Related to IGC Code 5.6.5)

Cargo sampling operations are to be undertaken as prescribed in 18.4.8.

5.14.5 Water Curtain (Related to IGC Code 5.7.3)

For cargo temperatures below -110°C , the water curtain specified in 5.7.3 is to be operated when cargo transfer is in progress.

Chapter 6 MATERIALS OF CONSTRUCTION AND QUALITY CONTROL

6.1 Definitions (*IGC Code 6.1*)

6.1.1 Hull Structural Steels

Where reference is made in this Chapter to *A, B, D, E, AH, DH, EH* and *FH* hull structural steels, these steel grades are the grades of steel as follows:

A: KA

B: KB

D: KD

E: KE

AH: KA32, KA36 and KA40

DH: KD32, KD36 and KD40

EH: KE32, KE36 and KE40

FH: KF32, KF36 and KF40

6.1.2 Piece

A piece is the rolled product from a single slab or billet or from a single ingot, if this is rolled directly into plates, strips, sections or bars.

6.1.3 Lot

A lot is the number of items or pieces to be accepted or rejected together, on the basis of the tests to be carried out on a sampling basis. The size of a lot is given in the [Part K of the Rules](#).

6.1.4 Controlled Rolling (*CR*)

Controlled rolling (*CR*) is to be according to [Table K3.3 Notes\(3\), Chapter 3, Part K of the Rules](#).

6.1.5 Thermo-mechanical Controlled Processing (*TMCP*)

Thermo-mechanical controlled processing (*TMCP*) is to be according to [Table K3.3 Notes\(3\), Chapter 3, Part K of the Rules](#).

6.1.6 Accelerated Cooling (*AcC*)

Accelerated cooling (*AcC*) is to be according to [Table K3.3 Notes\(3\), Chapter 3, Part K of the Rules](#).

6.2 Scope and General Requirements (*IGC Code 6.2*)

6.2.1 Materials and Welding

This chapter gives the requirements for metallic and non-metallic materials used in the construction of the cargo system. This includes requirements for joining processes, production process, personnel qualification, *NDT* and inspection and testing including production testing. The requirements for rolled materials, forgings and castings are given in [6.4](#) and [Table N6.1](#) to [Table N6.5](#). The requirements for weldments are given in [6.5](#), and the guidance for non-metallic materials is given in [Annex 6 of Guidance](#). A quality assurance/quality control programme is to be implemented to ensure that the requirements of [6.2](#) are complied with.

6.2.2 Manufacture, Testing, Inspection and Documentation

The manufacture, testing, inspection and documentation are to be in accordance with the requirements of relevant Parts and the specific requirements given in this Part.

6.2.3 Properties after Post-weld Heat Treatment*

Where post-weld heat treatment is specified or required, the properties of the base material are to be determined in the heat-treated condition, in accordance with the applicable table of this chapter, and the weld properties are to be determined in the heat treated condition in accordance with [6.5](#). In cases where a post-weld heat treatment is applied, the test requirements may be modified at the discretion of the Society.

6.3 General Test Requirements and Specifications (IGC Code 6.3)

6.3.1 Tensile Test*

1 Tensile testing is to be carried out in accordance with the requirements of **Chapter 2, Part K of the Rules** for base metals and **Chapter 3, Part M of the Rules** for welds.

2 Tensile strength, yield stress and elongation are to be to the satisfaction of the Society. For carbon-manganese steel and other materials with definitive yield points, consideration is to be given to the limitation of the yield to tensile ratio.

6.3.2 Toughness Test*

1 Acceptance tests are to include Charpy *V*-notch toughness tests unless otherwise specified by the Society. The specified Charpy *V*-notch requirements are minimum average energy values for three full size (10 mm × 10 mm) specimens and minimum single energy values for individual specimens. Dimensions and tolerances of Charpy *V*-notch specimens are to be in accordance with the requirements of **Chapter 2, Part K**. The testing and requirements for specimens smaller than 5.0 mm size are to be in accordance with Recognized Standards. Minimum average values for subsized specimens are to be in accordance with **Table N6.6**.

Table N6.6

Charpy V-notch specimen size (mm)	Minimum average energy of three specimens
10 x 10	<i>KV</i>
10 x 7.5	$5/6 KV$
10 x 5.0	$2/3 KV$

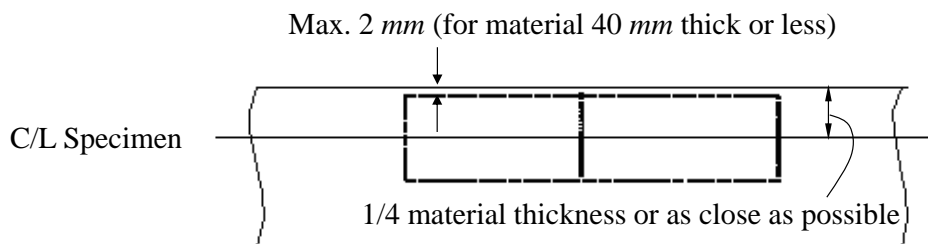
Note:

KV = the minimum average energy values (J) specified in **Table N6.1** to **Table N6.4**.

Only one individual value may be below the specified average value, provided it is not less than 70% of that value.

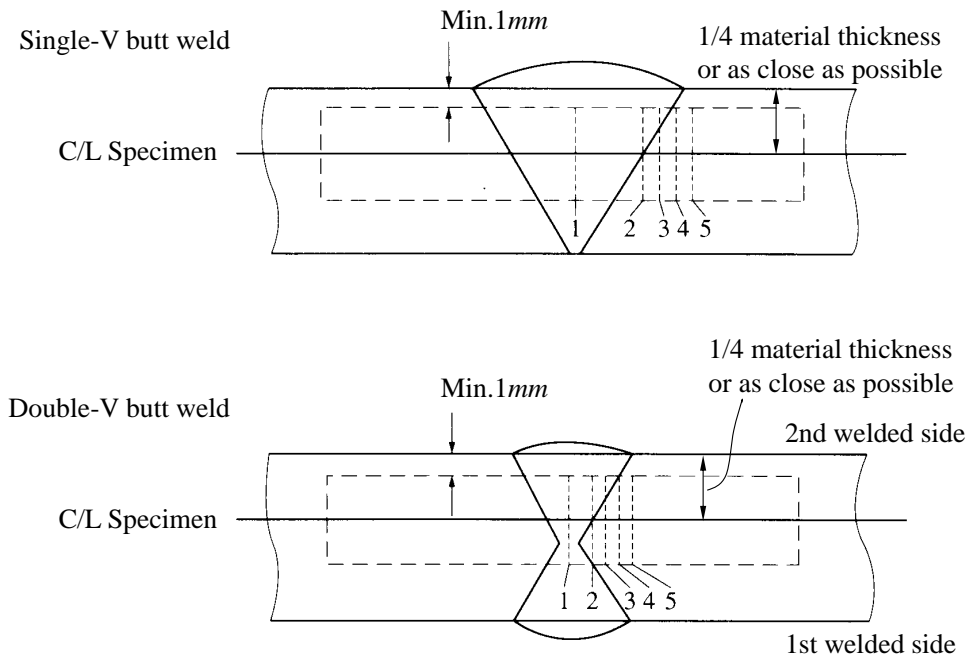
2 For base metal, the largest size Charpy *V*-notch specimens possible for the material thickness are to be machined with the specimens located as near as practicable to a point midway between the surface and the centre of the thickness and the length of the notch perpendicular to the surface as shown in **Fig. N6.1**. When the material thickness does not exceed 40 mm, the test specimens are to be cut with their edge within 2 mm from the surface.

Fig. N6.1 Orientation of Base Metal Test Specimen



3 For a weld test specimen, the largest size Charpy *V*-notch specimens possible for the material thickness are to be machined, with the specimens located as near as practicable to a point midway between the surface and the centre of the thickness. In all cases, the distance from the surface of the material to the edge of the specimen is to be approximately 1 mm or greater. In addition, for double-*V* butt welds, specimens are to be machined closer to the surface of the second welded section. The specimens are to be taken generally at each of the following locations, as shown in **Fig. N6.2**, on the centreline of the welds, the fusion line and 1 mm, 3 mm and 5 mm from the fusion line.

Fig. N6.2 Orientation of Weld Test Specimen



Notch locations in Fig. N6.2:

1. Centreline of the weld.
2. Fusion line.
3. In heat-affected zone (HAZ), 1 mm from the fusion line.
4. In HAZ, 3 mm from the fusion line.
5. In HAZ, 5 mm from the fusion line.

4 If the average value of the three initial Charpy V-notch specimens fails to meet the stated requirements, or the value for more than one specimen is below the required average value, or when the value for one specimen is below the minimum value permitted for a single specimen, three additional specimens from the same material may be tested and the results be combined with those previously obtained to form a new average. If the new average obtained from the six specimens complies with the requirements as well as no more than two individual results are lower than the required average and no more than one result is lower than the required value for a single specimen, then the piece or lot may be accepted.

6.3.3 Bend Test

1 The bend test may be omitted as a material acceptance test, but is required for weld tests. Where a bend test is performed, this is to be done in accordance with the requirements of **Chapter 3, Part M of the Rules**.

2 The bend tests are to be transverse bend tests, which may be face, root or side bends at the discretion of the Society. However, longitudinal bend tests may be required in lieu of transverse bend tests in cases where the base material and weld metal have different strength levels.

6.3.4 Section Observation and Other Testing*

Macrosection, microsection observations and hardness tests may also be required by the Society, and they are to be carried out as deemed appropriate by the Society, where required.

6.4 Requirements for Metallic Materials (with reference to IGC Code 6.4)

6.4.1 General Requirements for Metallic Materials*

1 The requirements for materials of construction are shown in the tables as follows:

- (1) **Table N6.1:** Plates, pipes (seamless and welded), sections and forgings for cargo tanks and process pressure vessels for design temperatures not lower than 0°C.
- (2) **Table N6.2:** Plates, sections and forgings for cargo tanks, secondary barriers and process pressure vessels for design

temperatures below 0°C and down to -55°C.

- (3) **Table N6.3:** Plates, sections and forgings for cargo tanks, secondary barriers and process pressure vessels for design temperatures below -55°C and down to -165°C.
- (4) **Table N6.4:** Pipes (seamless and welded), forgings and castings for cargo and process piping for design temperatures below 0°C and down to -165°C.
- (5) **Table N6.5:** Plates and sections for hull structures required by **4.19.1-2** and **4.19.1-3**.
- (6) Castings for cargo and process piping for design temperatures not lower than 0°C are to be as deemed appropriate by the Society.

2 Metallic materials specified in this Part, according to the requirements in **1.1.1-2, Part K of the Rules**, are to comply with the requirements of **Part K of the Rules** in addition to those specified in this Part.

6.4.2 Marking

Steels which have passed the required tests are to be marked with identification marks in accordance with the requirements in **Part K**; in addition, in the case of steel for which impact tests are required, the impact testing temperature and “*T*” are to be added to the markings. (Example: *KL33-50T*. -0*T* as suffix for 0°C.)

Table N6.1 Plates, Pipes (Seamless and Welded)⁽¹⁾⁽²⁾, Sections and Forgings for Cargo Tanks and Process Pressure Vessels for Design Temperatures Not Lower than 0°C

Chemical Composition and Head Treatment:		
Carbon - manganese steel (to be Fully killed fine grain steel)		
Small additions of alloying elements by agreement with the Society		
Composition limits to be approved by the Society		
Normalized, or quenched and tempered ⁽⁴⁾		
Tensile and Toughness (Impact) Test Requirements:		
Sampling frequency:		
Plates	Each “piece” to be tested	
Sections and Forgings	Each “lot” to be tested	
Mechanical properties:		
Tensile Properties	Specified minimum yield stress not to exceed 410N/mm ²⁽⁵⁾	
Toughness (Charpy <i>V</i> - Notch Test):		
Plates	Transverse test pieces. Minimum average energy value (<i>KV</i>) 27 <i>J</i>	
Sections and Forgings:	Longitudinal test pieces. Minimum average energy value (<i>KV</i>) 41 <i>J</i>	
Test Temperature:	Thickness <i>t</i> (mm) ⁽³⁾	Test temperature (°C)
	$t \leq 20$	0
	$20 < t \leq 40$	-20
	$40 < t \leq 50$ ⁽⁶⁾	-20 ⁽⁷⁾
		-30 ⁽⁸⁾

Notes:

- (1) For seamless pipes and fittings the requirements of **Part K** applies. The use of longitudinally and spirally welded pipes are to be specially approved by the Society.
- (2) Charpy *V*-notch impact tests are not required for pipes.
- (3) This table is generally applicable for material thicknesses up to 50 mm. Proposals for greater thicknesses are to be approved by the Society.
- (4) A controlled rolling procedure or *TMCP* may be used as an alternative.
- (5) Materials with specified minimum yield stress exceeding 410 N/mm² may be specially approved by the Society. For these materials, particular attention is to be given to the hardness of the weld and heat affected zone.
- (6) In addition to **6.3.2-2**, test specimens are to be taken at portions where the axis of the test specimen corresponds to approximately 1/2 the thickness from the surface. This, however, does not apply to the rolled steels for hulls and high strength rolled steels for offshore structures respectively specified in **3.1** and **3.8, Part K of the Rules**.

- (7) Applicable to type *C* independent tanks and process pressure vessels. In addition, post-weld stress relief heat treatment is to be performed. When an alternative approach is to be used in lieu of post-weld stress relief heat treatment, the Society's approval is required.
- (8) Applicable to cargo tanks other than type *C* independent tanks.

Table N6.2 Plates, Sections and Forgings⁽¹⁾ for Cargo Tanks, Secondary Barriers and Process Pressure Vessels for Design Temperatures below 0°C and down to -55°C
(Maximum Thickness 25 mm⁽²⁾)

Chemical Composition and Heat Treatment:					
Carbon-manganese Steel (to be fully-killed aluminium treated grain steel)					
Chemical composition (ladle analysis)					
<i>C</i>	<i>Mn</i>	<i>Si</i>	<i>S</i>	<i>P</i>	
0.16%max ⁽³⁾	0.70 - 1.60%	0.10 - 0.50%	0.025%max.	0.025%max.	
Optional additions: Alloys and grain refining elements may be generally in accordance with the following:					
<i>Ni</i>	<i>Cr</i>	<i>Mo</i>	<i>Cu</i>	<i>Nb</i>	<i>V</i>
0.80%max.	0.25%max.	0.08%max.	0.35%max.	0.05%max.	0.10%max.
<i>Al</i> content total 0.02% min (Acid soluble 0.015% min)					
Normalized or quenched and tempered ⁽⁴⁾					
Tensile and Toughness (Impact) Test Requirements:					
Sampling frequency:					
Plates	Each "piece" to be tested				
Sections and Forgings	Each "lot" to be tested				
Mechanical properties:					
Tensile properties	Specified minimum yield stress not to exceed 410 N/mm ²⁽⁵⁾				
Toughness (Charpy <i>V</i> -Notch Test):					
Test Temperatures Plates	Test temperatures 5°C below the design temperatures or -20°C whichever is lower				
Sections and Forgings ⁽¹⁾	Transverse test pieces. Minimum average energy value (<i>KI</i>) 27 <i>J</i>				
	Longitudinal test pieces. Minimum average energy value (<i>KI</i>) 41 <i>J</i>				

Notes:

- (1) The Charpy *V*-notch and Chemistry requirements for forgings may be specially considered by the Society.
- (2) For material thickness of more than 25 mm, Charpy *V*-notch tests are to be conducted as follows:

Material thickness (<i>mm</i>)	Test temperature (°C)
25 < <i>t</i> ≤ 30	10°C below design temperature or -20°C, whichever is lower
30 < <i>t</i> ≤ 35	15°C below design temperature or -20°C, whichever is lower
35 < <i>t</i> ≤ 40	20°C below design temperature
	Type <i>C</i> independent tanks and process pressure vessels
40 < <i>t</i> ≤ 50	5°C below design temperature or -20°C whichever is lower
50 < <i>t</i>	Temperature approved by the Society
	Fuel tanks other than type <i>C</i> independent tanks
40 < <i>t</i> ≤ 45	25°C below design temperature
45 < <i>t</i> ≤ 50	30°C below design temperature
50 < <i>t</i>	Temperature approved by the Society

The minimum average energy value is to be in accordance with the table for the applicable type of test specimen.

Materials for tanks and parts of tanks which are completely thermally stress relieved after welding may be tested at a temperature 5°C below design temperature or -20°C whichever is lower.

For thermally stress relieved reinforcements and other fittings, the test temperature are to be the same as that required

for the adjacent tank-shell thickness.

Where thickness is greater than 40 mm, in addition to 6.3.2-2, test specimens are to be taken at portions where the axis of the test specimen corresponds to approximately 1/2 the thickness from the surface. This, however, does not apply to the rolled steels for hulls and high strength rolled steels for offshore structures respectively specified in 3.1 and 3.8, **Part K of the Rules**.

Where steels with thicknesses greater than 40 mm but not more than 50 mm are used for type C independent tanks and process pressure vessels, post-weld stress relief heat treatment is to be performed. When an alternative approach is to be used in lieu of post-weld stress relief heat treatment, the Society's approval is required.

- (3) By special agreement with the Society, the carbon content may be increased to 0.18% maximum provided the design temperature is not lower than -40°C
- (4) A controlled rolling procedure or *TMCP* may be used as an alternative.
- (5) Materials with specified minimum yield stress exceeding 410 N/mm² may be approved by the Society. For these materials, particular attention is to be given to the hardness of the welded and heat affected zones.

Guidance:

For materials exceeding 25 mm in thickness for which the test temperature is -60°C or lower, the application of specially treated steels or steels in accordance with **Table N6.3** may be necessary.

Table N6.3 Plates, Sections and Forgings⁽¹⁾ for Cargo Tanks, Secondary Barriers and Process Pressure Vessels for Design Temperatures below -55°C and down to -165°C⁽²⁾
(Maximum Thickness 25 mm⁽³⁾⁽⁴⁾)

Minimum design temp. (°C)	Chemical composition ⁽⁵⁾ and heat treatment	Impact test temp (°C)
-60	1.5% nickel steel - normalized or normalized and tempered or quenched and tempered or <i>TMCP</i> ⁽⁶⁾	-65
-65	2.25% nickel steel - normalized or normalized and tempered or quenched and tempered or <i>TMCP</i> ⁽⁶⁾⁽⁷⁾	-70
-90	3.5% nickel steel - normalized or normalized and tempered or quenched and tempered or <i>TMCP</i> ⁽⁶⁾⁽⁷⁾	-95
-105	5% nickel steel - normalized or normalized and tempered or quenched and tempered ⁽⁶⁾⁽⁷⁾⁽⁸⁾	-110
-165	9% nickel steel - double normalized and tempered or quenched and tempered ⁽⁶⁾	-196
-165	Austenitic stainless steels, such as types 304, 304L, 316, 316L, 321 and 347 solution treated ⁽⁹⁾	-196
-165	Aluminium alloys ⁽¹⁰⁾ : such as type 5083 annealed	Not required
-165	Austenitic Fe-Ni alloy (36% nickel) Heat treatment as agreed	Not required
Tensile and Toughness (Impact) Test Requirements: Sampling frequency: Plates Each "piece" to be tested Sections and Forgings Each "lot" to be tested Toughness (Charpy V- Notch Impact Test): Plates Sections and Forgings Transverse test pieces. Minimum average energy value (KV) 27 J Longitudinal test pieces. Minimum average energy value (KV) 41 J		

Notes:

- (1) The impact test required for forgings used in critical applications is to be subject to special consideration by the Society.
- (2) The requirements for design temperatures below -165°C is to be specially agreed with the Society.

- (3) For materials 1.5% Ni, 2.25% Ni, 3.5% Ni and 5% Ni, with thicknesses greater than 25 mm, the impact tests are to be conducted as follows:

Material thickness (mm)	Test temperature (°C)
25 < t ≤ 30	10°C below design temperature
30 < t ≤ 35	15°C below design temperature
35 < t ≤ 40	20°C below design temperature
40 < t ≤ 45	25°C below design temperature
45 < t ≤ 50	30°C below design temperature

In no case is the test temperature to be above that indicated in **Table N6.3**.

The minimum average energy value is to be in accordance with the table for the applicable type of test specimen. For material thickness of more than 50 mm, the Charpy V-notch values are to be specially considered.

Where thickness is greater than 40 mm, in addition to **6.3.2-2**, test specimens are to be taken at portions where the axis of the test specimen corresponds to approximately 1/2 the thickness from the surface.

- (4) For 9% Ni, austenitic stainless steels and aluminium alloys, thicknesses greater than 25 mm may be used at the discretion of the Society.
- (5) The chemical composition limits are to be in accordance with recognized standards deemed appropriate by the Society.
- (6) TMCP nickel steels will be subject to acceptance by the Society.
- (7) A lower minimum design temperature for quenched and tempered steels may be specially agreed with the Society.
- (8) A specially heat treated 5% nickel steel, for example triple heat treated 5% nickel steel, may be used down to -165°C upon special agreement with the Society, provided that the impact tests are carried out at -196°C
- (9) The impact test may be omitted subject to agreement with the Society.
- (10) For aluminium alloys other than type 5083, additional tests may be required to verify the toughness of the material.

Table N6.4 Pipes, (Seamless and Welded)⁽¹⁾, Forgings⁽²⁾ and Castings⁽²⁾ for Cargo and Progress Piping for Design Temperatures below 0°C and down to -165°C⁽³⁾
(Maximum Thickness 25 mm)

Minimum design temp. (°C)	Chemical composition ⁽⁵⁾ and heat treatment	Impact test	
		Test temp. (°C)	Minimum average energy (KV) (J)
-55	Carbon - manganese steel. (to be Fully killed fine grain) Normalized or as agreed ⁽⁶⁾	⁽⁴⁾	27
-65	2.25% nickel steel. Normalized or normalized and tempered or quenched and tempered ⁽⁶⁾	-70	34
-90	3.5% nickel steel. Normalized or normalized and tempered or quenched and tempered ⁽⁶⁾	-95	34
-165	9% nickel steel ⁽⁷⁾ . Double normalized and tempered or quenched and tempered	-196	41
	Austenitic stainless steels, such as types 304, 304L, 316, 316L, 321 and 347. Solution treated ⁽⁸⁾	-196	41
	Aluminium alloys ⁽⁹⁾ , such as type 5083 annealed		Not required
Tensile and Toughness (Impact) Test Requirements			
Sample frequency:			
Each lot to be tested			
Toughness (Charpy V- Notch Test):			
Impact Test - Longitudinal test pieces			

Notes:

- (1) The use of longitudinally or spirally welded pipes is to be specially approved the Society.
- (2) The requirements for forgings and castings may be subject to special consideration by the Society.
- (3) The requirements for design temperature below -165°C are to be specially agreed with the Society.
- (4) The test temperature is to be 5°C below the design temperature or -20°C whichever is lower.
- (5) The composition limits are to be in accordance with recognized standards deemed appropriate by the Society.
- (6) A lower design temperature may be specially agreed with the Society for quenched and tempered materials.
- (7) This chemical composition is not suitable for castings.
- (8) Impact tests may be omitted subject to agreement with the Society.
- (9) For aluminium alloys other than type 5083, additional tests may be required to verify the toughness of the material.

Table N6.5 Plates and Sections for Hull Structures Required by 4.19.1-2 and 4.19.1-4

Minimum design temperature of hull structure ($^{\circ}\text{C}$)	Maximum thickness (<i>mm</i>) for steel grades						
	<i>A</i>	<i>B</i>	<i>D</i>	<i>E</i>	<i>AH</i>	<i>DH</i>	<i>EH</i>
0 and above ⁽¹⁾ -5 and above ⁽²⁾	In accordance with Part C of the Rules						
down to -5	15	25	30	50	25	45	50
down to -10	×	20	25	50	20	40	50
down to -20	×	×	20	50	×	30	50
down to -30	×	×	×	40	×	20	40
below -30	In accordance with Table N6.2 except that the thickness limitation given in Table N6.2 and in footnote (2) of that table does not apply.						

Notes:

“×” means steel grade not to be used.

- (1) For the purpose of 4.19.1-3
- (2) For the purpose of 4.19.1-2

6.5 Welding of Metallic Materials and Non-destructive Testing (IGC Code 6.5)

6.5.1 General*

This section is to apply to primary and secondary barriers only, including the inner hull where this forms the secondary barrier. Acceptance testing is specified for carbon, carbon-manganese, nickel alloy and austenitic stainless steels, but these tests may be adapted for other materials. At the discretion of the Society, impact testing of austenitic stainless steel and aluminium alloy weldments may be omitted and other tests may be specially required for any material.

6.5.2 Welding Consumables

Consumables intended for welding of cargo tanks are to be in accordance with the requirements of **Chapter 6, Part M of the Rules**. Deposited weld metal tests and butt weld tests are to be required for all consumables. The results obtained from tensile and Charpy *V*-notch impact tests are to be in accordance with the requirements of **Chapter 6, Part M of the Rules**. The chemical composition of the deposited weld metal is to be recorded for information.

6.5.3 Welding Procedure Tests for Cargo Tanks, Process Pressure Vessels and Secondary Barriers*

1 Welding procedure tests for cargo tanks and process pressure vessels are required subject to the following -2 to -5 for all butt welds.

2 The test assemblies are to be representative of:

- (1) Each base material;
- (2) Each type of consumable and welding process; and
- (3) Each welding position.

3 For butt welds in plates, the test assemblies are to be so prepared that the rolling direction is parallel to the direction of welding. The range of thickness qualified by each welding procedure test is to be in accordance with the requirements of **Chapter 11**,

Part D of the Rules and **Chapter 4, Part M of the Rules**. Non-destructive tests are to be in accordance with the requirements of **Chapter 11, Part D of the Rules** and **Chapter 4, Part M of the Rules**.

4 The following welding procedure tests for cargo tanks and process pressure vessels are to be carried out in accordance with **6.3**, with specimens made from each test assembly:

- (1) Cross-weld tensile tests;
- (2) Longitudinal all-weld testing, where required by the requirements of **Chapter 4, Part M of the Rules**;
- (3) Transverse bend tests, which may be face, root or side bends as required by **Chapter 4, Part M of the Rules**. However, longitudinal bend tests may be required in lieu of transverse bend tests in cases where the base material and weld metal have different strength levels;
- (4) One set of three Charpy *V*-notch impacts, generally at each of the following locations, as shown in **Fig. N6.2**:
 - (a) Centreline of the weld;
 - (b) Fusion line;
 - (c) 1 mm from the fusion line;
 - (d) 3 mm from the fusion line; and
 - (e) 5 mm from the fusion line;
- (5) Macrosection, microsection and hardness survey may also be required.

5 Each test is to satisfy the following requirements:

- (1) Tensile tests: cross-weld tensile strength is not to be less than the specified minimum tensile strength for the appropriate parent materials. For materials such as aluminium alloys, reference is to be made to **4.18.1(3)** with regard to the requirements for weld metal strength of under-matched welds (where the weld metal has a lower tensile strength than the parent metal). In every case, the position of fracture is to be recorded for information;
- (2) Bend tests: no fracture is acceptable after a 180 degrees bend over a former of a diameter four times the thickness of the test pieces; and
- (3) Charpy *V*-notch impact tests: Charpy *V*-notch tests are to be conducted at the temperature prescribed for the base material being joined. The results of weld metal impact tests, minimum average energy (*KI*), are to be no less than 27 *J*. The weld metal requirements for subsize specimens and single energy values are to be in accordance with **6.3.2**. The results of fusion line and heat-affected zone impact tests are to show a minimum average energy (*KI*) in accordance with the transverse or longitudinal requirements of the base material, whichever is applicable, and for subsize specimens, the minimum average energy (*KI*) is to be in accordance with **6.3.2**. If the material thickness does not permit machining either full-size or standard subsize specimens, the testing procedure and acceptance standards are to be to the satisfaction of the Society.

6 Procedure tests for fillet welding of cargo tanks and process pressure vessels are to be in accordance with the requirements of **Chapter 11, Part D of the Rules** and **Chapter 4, Part M of the Rules**. In such cases, consumables are to be so selected that exhibit satisfactory impact properties.

7 Procedure tests for all welding of secondary barriers are to be in accordance with the requirements of **Chapter 4, Part M of the Rules**.

6.5.4 Welding Procedure Tests for Piping*

Welding procedure tests for piping are to be carried out and are to be similar to those detailed for cargo tanks in **6.5.3**.

6.5.5 Production Weld Tests*

1 For all cargo tanks and process pressure vessels, except integral and membrane tanks, production weld tests are to generally be performed for approximately each 50 m of butt-weld joints and are to be representative of each welding position. For secondary barriers, the same type production tests as required for primary tanks are to be performed, except that the number of tests may be reduced subject to agreement with the Society. Tests, other than those specified in **-2** to **-5** may be required for cargo tanks or secondary barriers.

2 The production tests for type *A* and type *B* independent tanks and semi-membrane tanks are to include bend tests and, where required for procedure tests, one set of three Charpy *V*-notch tests. The tests are to be made for each 50 m of weld. The Charpy *V*-notch tests are to be made with specimens having the notch alternately located in the centre of the weld and in the heat-affected zone (most critical location based on procedure qualification results). For austenitic stainless steel, all notches are to be in the centre of the weld.

3 For type *C* independent tanks and process pressure vessels, transverse weld tensile tests are required in addition to the tests

listed in -2. Tensile tests are to meet the requirements of 6.5.3-5.

4 The quality assurance/quality control programme is to ensure the continued conformity of the production welds as defined in the material manufacturers' quality manual.

5 The test requirements for integral and membrane tanks are the same as the applicable test requirements listed in 6.5.3.

6.5.6 Non-destructive Testing*

1 All test procedures and acceptance standards are to be to the satisfaction of the Society, unless the designer specifies a higher standard in order to meet design assumptions. Radiographic testing is to be used, in principle, to detect internal defects. However, an approved ultrasonic test procedure in lieu of radiographic testing may be conducted, but, in addition, supplementary radiographic testing at selected locations is to be carried out to verify the results. Radiographic and ultrasonic testing records are to be retained.

2 For type *A* independent tanks and semi-membrane tanks, where the design temperature is below -20°C, and for type *B* independent tanks, regardless of temperature, all full penetration butt welds of the shell plating of cargo tanks are to be subjected to non-destructive testing suitable to detect internal defects over their full length. Ultrasonic testing in lieu of radiographic testing may be carried out under the same conditions as described in -1 above.

3 Where the design temperature is higher than -20°C, all full penetration butt welds in way of intersections and at least 10% of the remaining full penetration welds of tank structures are to be subjected to radiographic testing or ultrasonic testing under the same conditions as described in -1 above.

4 In each case, the remaining tank structure, including the welding of stiffeners and other fittings and attachments, is to be examined by magnetic particle or dye penetrant inspection, as considered necessary.

5 For type *C* independent tanks, the extent of non-destructive testing is to be total or partial according to the requirements of **Chapter 11, Part D of the Rules**, but the controls to be carried out are not to be less than the following:

(1) Total non-destructive testing referred to in 4.23.2-1(3):

Radiographic testing:

all butt welds over their full length;

Non-destructive testing for surface crack detection:

all welds over 10% of their length;

reinforcement rings around holes, nozzles, etc., over their full length.

As an alternative, ultrasonic testing as described in -1 above may be accepted as a partial substitute for the radiographic testing. In addition, the Society may require total ultrasonic testing on welding of reinforcement rings around holes, nozzles, etc.

(2) Partial non-destructive testing referred to in 4.23.2-1(3):

Radiographic testing:

all butt-welded crossing joints and at least 10% of the full length of butt welds at selected positions uniformly distributed;

Non-destructive testing for surface crack detection:

reinforcement rings around holes, nozzles, etc., over their full length;

Ultrasonic testing:

as may be required by the Society or recognized organization acting on its behalf in each instance.

6 The quality assurance/quality control programme is to ensure the continued conformity of the non-destructive testing of welds, as defined in the material manufacturer's quality manual.

7 Inspection of piping is to be carried out in accordance with the requirements of **Chapter 5**.

8 The secondary barrier is to be non-destructive tested for internal defects as considered necessary. Where the outer shell of the hull is part of the secondary barrier, all sheer strake butts and the intersections of all butts and seams in the side shell are to be tested by radiographic testing.

9 For integral and membrane tanks, special weld inspection procedures and acceptance criteria are to be to the satisfaction of the Society.

6.6 Other Requirements for Construction in Metallic Materials (IGC Code 6.6)**6.6.1 General**

Inspection and non-destructive testing of welds are to be in accordance with the requirements of 6.5.5 and 6.5.6. Where higher standards or tolerances are assumed in the design, they are to also be satisfied.

6.6.2 Independent Tank*

1 For type C tanks and type B tanks primarily constructed of bodies of revolution, the tolerances relating to manufacture, such as out-of-roundness, local deviations from the true form, welded joints alignment and tapering of plates having different thicknesses, are to comply with the requirements of Chapter 11, Part D of the Rules. The tolerances are to also be related to the buckling analysis referred to in 4.22.3-2 and 4.23.3-2.

2 For type C tanks of carbon and carbon-manganese steel, post-weld heat treatment is to be performed after welding, if the design temperature is below -10°C . Post-weld heat treatment in all other cases and for materials other than those mentioned above is to be at the discretion of the Society. The soaking temperature and holding time are to be at the discretion of the Society.

3 In the case of type C tanks and large cargo pressure vessels of carbon or carbon-manganese steel with thicknesses of not more than 40 mm for which it is difficult to perform the heat treatment, mechanical stress relieving by pressurizing may be carried out as an alternative to the heat treatment and subject to the following conditions:

- (1) Complicated welded pressure vessel parts such as sumps or domes with nozzles, with adjacent shell plates are to be heat treated before they are welded to larger parts of the pressure vessel;
- (2) The mechanical stress relieving process is to preferably be carried out during the hydrostatic pressure test required by 4.23.6, by applying a higher pressure than the test pressure required by 4.23.6-1. The pressurizing medium is to be water;
- (3) For the water temperature, 4.23.6-2 applies;
- (4) Stress relieving is to be performed while the tank is supported by its regular saddles or supporting structure or, when stress relieving cannot be carried out on board, in a manner which will give the same stresses and stress distribution as when supported by its regular saddles or supporting structure;
- (5) The maximum stress relieving pressure is to be held for 2 hours per 25 mm of thickness, but in no case less than 2 hours;
- (6) The upper limits placed on the calculated stress levels during stress relieving are to be the following:
 - (a) Equivalent general primary membrane stress: $0.9 R_e$;
 - (b) Equivalent stress composed of primary bending stress plus membrane stress: $1.35 R_e$, where R_e is the specific lower minimum yield stress or 0.2% proof stress at test temperature of the steel used for the tank;
- (7) Strain measurements will normally be required to prove these limits for at least the first tank of a series of identical tanks built consecutively. The location of strain gauges is to be included in the mechanical stress relieving procedure to be submitted in accordance with 6.6.2-3;
- (8) The test procedure is to demonstrate that a linear relationship between pressure and strain is achieved at the end of the stress relieving process when the pressure is raised again up to the design pressure;
- (9) High-stress areas in way of geometrical discontinuities such as nozzles and other openings are to be checked for cracks by dye penetrant or magnetic particle inspection after mechanical stress relieving. Particular attention in this respect is to be paid to plates exceeding 30 mm in thickness;
- (10) Steels which have a ratio of yield stress to ultimate tensile strength greater than 0.8 are to generally not be mechanically stress relieved. If, however, the yield stress is raised by a method giving high ductility of the steel, slightly higher rates may be accepted upon consideration in each case;
- (11) Mechanical stress relieving cannot be substituted for heat treatment of cold formed parts of tanks, if the degree of cold forming exceeds the limit above which heat treatment is required;
- (12) The thickness of the shell and heads of the tank are to not exceed 40 mm. Higher thicknesses may be accepted for parts which are thermally stress relieved;
- (13) Local buckling is to be guarded against, particularly when tori-spherical heads are used for tanks and domes; and
- (14) The procedure for mechanical stress relieving is to be submitted beforehand to the Society for approval.

4 Where carbon or carbon-manganese steels with thicknesses of greater than 40 mm but not more than 50 mm are used for type C independent tanks and process pressure vessels, post-weld stress relief heat treatment may be omitted subject to agreement with the

Society.

6.6.3 Secondary Barriers

During construction, the requirements for testing and inspection of secondary barriers are to be approved or accepted by the Society or recognized organization acting on its behalf (see [4.6.2\(5\)](#) and [4.6.2\(6\)](#)).

6.6.4 Semi-membrane Tanks

For semi-membrane tanks, the relevant requirements in section [6.6](#) for independent tanks or for membrane tanks are to be applied as appropriate.

6.6.5 Membrane Tanks*

The quality assurance/quality control programme is to ensure the continued conformity of the weld procedure qualification, design details, materials, construction, inspection and production testing of components. These standards and procedures are to be developed during the prototype testing programme.

6.7 Non-metallic Materials (*IGC Code 6.7*)

6.7.1 General

The information in the attached [Annex 6 of Guidance](#) is given for guidance in the selection and use of these materials, based on the experience to date.

Chapter 7 CARGO PRESSURE/TEMPERATURE CONTROL

7.1 Methods of Control (*IGC Code 7.1*)

7.1.1 Means of Control

Unless the tanks is designed to withstand the full gauge vapour pressure of the cargo under conditions of the upper ambient design temperatures, cargo tanks' pressure and temperature are to be maintained at all times within their design range by either one, or a combination of, the following methods:

- 1 reliquefaction of cargo vapours;
- 2 thermal oxidation of vapours;
- 3 pressure accumulation; and
- 4 liquid cargo cooling.

7.1.2 Design Requirement for Dangerous Cargoes*

For certain cargoes specified in **Chapter 17 of this Part**, the cargo containment system is to be capable of withstanding the full vapour pressure of the cargo under conditions of the upper ambient design temperatures irrespective of any system provided for dealing with boil-off gas.

7.2 Design of Systems (*IGC Code 7.2*)*

For normal service, the upper ambient design temperature is to be:

- sea 32°C
- air 45°C

For service in especially hot or cold zones these design temperatures are to be increased or reduced, as appropriate, by the Society. The overall capacity of the system is to be such that it can control the pressure within the design conditions without venting to atmosphere.

7.3 Reliquefaction of Cargo Vapours (*IGC Code 7.3*)

7.3.1 General*

The reliquefaction system may be arranged in one of the following ways. The requirements of **Chapters 17 and 19 of this Part** may preclude the use of one or more of these systems or may specify the use of a particular system:

- (1) a direct system where evaporated cargo is compressed, condensed and returned to cargo tanks;
- (2) an indirect system where cargo or evaporated cargo is cooled or condensed by refrigerant without being compressed;
- (3) a combined system where evaporated cargo is compressed and condensed in a cargo/refrigerant heat exchanger and returned to the cargo tanks; and
- (4) if the reliquefaction system produces a waste stream containing methane during pressure control operations within the design conditions, these waste gases, as far as reasonably practicable, are disposed of without venting to atmosphere.

7.3.2 Compatibility*

Refrigerants used for reliquefaction must be compatible with the cargo they may come into contact with. In addition, when several refrigerants are used and may come into contact, they are to be compatible with each other.

7.4 Thermal Oxidation of Vapours (*IGC Code 7.4*)

7.4.1 General

Maintaining the cargo tank pressure and temperature by means of thermal oxidation of cargo vapours, as defined in **1.1.4(47)** and **16.2** is to be permitted only for *LNG* cargoes. In general:

- (1) thermal oxidation systems are to exhibit no externally visible flame and are to maintain the uptake exhaust temperature below 535°C;
- (2) arrangement of spaces where oxidation systems are located are to comply with 16.3 and supply systems are to comply with 16.4; and
- (3) if waste gases coming from any other system are to be burnt, the oxidation system is to be designed to accommodate all anticipated feed gas compositions.

7.4.2 Thermal Oxidation Systems

Thermal oxidation systems are to comply with the following:

- (1) each thermal oxidation system is to have a separate uptake;
- (2) each thermal oxidation system is to have a dedicated forced draught system; and
- (3) combustion chambers and uptakes of thermal oxidation systems are to be designed to prevent any accumulation of gas.

7.4.3 Burners

Burners are to be designed to maintain stable combustion under all design firing conditions.

7.4.4 Safety

- 1 Suitable devices are to be installed and arranged to ensure that gas flow to the burner is cut off unless satisfactory ignition has been established and maintained.
- 2 Each oxidation system is to have provision to manually isolate its gas fuel supply from a safely accessible position.
- 3 Provisions are to be made for automatic purging the gas supply piping to the burners by means of an inert gas, after the extinguishing of these burners.
- 4 In case of flame failure of all operating burners for gas or oil or for a combination thereof, the combustion chambers of the oxidation system are to be automatically purged before relighting.
- 5 Arrangements are to be made to enable the combustion chamber to be manually purged.

7.5 Pressure Accumulation Systems (*IGC Code 7.5*)

The containment system insulation, design pressure or both are to be adequate to provide for a suitable margin for the operating time and temperatures involved. No additional pressure and temperature control system is required. Conditions for acceptance are recorded in the International Certificate of Fitness for the Carriage of Liquefied Gases in Bulk.

7.6 Liquid Cargo Cooling (*IGC Code 7.6*)

The bulk cargo liquid may be refrigerated by coolant circulated through coils fitted either inside the cargo tank or onto the external surface of the cargo tank.

7.7 Segregation (*IGC Code 7.7*)*

Where two or more cargoes which may react chemically in a dangerous manner are carried simultaneously, separate systems as defined in 1.1.4(43), each complying with availability criteria as specified in 7.8, are to be provided for each cargo. For simultaneous carriage of two or more cargoes that are not reactive to each other but where, due to properties of their vapour, separate systems are necessary, separation may be by means of isolation valves.

7.8 Availability (*IGC Code 7.8*)

7.8.1 General Requirements

The availability of the system and its supporting auxiliary services are to be such that:

- (1) in case of a single failure of a mechanical non-static component or a component of the control systems, the cargo tanks' pressure and temperature can be maintained within their design range without affecting other essential services;
- (2) redundant piping systems are not required;

- (3) heat exchangers that are solely necessary for maintaining the pressure and temperature of the cargo tanks within their design ranges are to have a standby heat exchanger, unless they have a capacity in excess of 25% of the largest required capacity for pressure control and they can be repaired on board without external resources. Where an additional and separate method of cargo tank pressure and temperature control is fitted that is not reliant on the sole heat exchanger, then a standby heat exchanger is not required; and
- (4) for any cargo heating or cooling medium, provisions are to be made to detect the leakage of toxic or flammable vapours into an otherwise non-hazardous area or overboard in accordance with 13.6. Any vent outlet from this leak detection arrangement is to be to a safe location and be fitted with a flame screen.

7.9 Operating Requirements

7.9.1 Application

The provisions in 7.9 are not related to surveys necessary for the maintenance of classification, but indicate those matters which are to be strictly observed by the shipowner or the ship master as well as all other persons responsible for the ship's operation.

7.9.2 Pressure Control (With reference to IGC Code 7.1.3)

Venting of the cargo to maintain cargo tank pressure and temperature is not to be acceptable except in emergency situations. The Administration may permit certain cargoes to be controlled by venting cargo vapour to the atmosphere at sea. This may also be permitted in port with the permission of the port Administration.

Chapter 8 CARGO TANK VENT SYSTEMS

8.1 General

8.1.1 General (IGC Code 8.1)*

All cargo tanks are to be provided with a pressure relief system appropriate to the design of the cargo containment system and the cargo being carried. Hold spaces and interbarrier spaces, which may be subject to pressures beyond their design capabilities, are also to be provided with a suitable pressure relief system. Pressure control systems specified in [Chapter 7](#) of this Part are to be independent of the pressure relief systems.

8.2 Pressure Relief Systems (IGC Code 8.2)

8.2.1 General

Cargo tanks, including deck tanks, are to be fitted with a minimum of two pressure relief valves (*PRVs*), each being of equal size within manufacturer's tolerances and suitably designed and constructed for the prescribed service.

8.2.2 Pressure Relief Devices for Interbarrier Spaces*

Interbarrier spaces are to be provided with pressure relief devices. For membrane systems, the designer is to demonstrate adequate sizing of interbarrier space *PRVs*.

8.2.3 Pressure Setting of *PRVs*

The setting of the *PRVs* is not to be higher than the vapour pressure that has been used in the design of the tank. Where two or more *PRVs* are fitted, valves comprising not more than 50% of the total relieving capacity may be set at a pressure up to 5% above *MARVS* to allow sequential lifting, minimizing unnecessary release of vapour.

8.2.4 Arrangement of *PRVs**

The following temperature requirements apply to *PRVs* fitted to pressure relief systems:

- (1) *PRVs* on cargo tanks with a design temperature below 0°C are to be designed and arranged to prevent their becoming inoperative due to ice formation;
- (2) the effects of ice formation due to ambient temperatures are to be considered in the construction and arrangement of *PRVs*;
- (3) *PRVs* are to be constructed of materials with a melting point above 925°C. Lower melting point materials for internal parts and seals may be accepted, provided that fail-safe operation of the *PRV* is not compromised; and
- (4) sensing and exhaust lines on pilot operated relief valves are to be of suitably robust construction to prevent damage.

8.2.5 Valve Testing*

1 *PRVs* are to be type-tested. Type tests are to include the following (1) to (4). *PRVs* are to be tested in accordance with recognized standards.

- (1) verification of relieving capacity;
- (2) cryogenic testing when operating at design temperatures colder than -55°C;
- (3) seat tightness testing; and
- (4) pressure containing parts are pressure tested to at least 1.5 times the design pressure.

2 Each *PRV* is to be tested to ensure that:

- (1) it opens at the prescribed pressure setting, with an allowance not exceeding:
 - (a) ± 10% for 0 to 0.15 MPa;
 - (b) ± 6% for 0.15 to 0.3 MPa;
 - (c) ± 3% for 0.3 MPa and above;
- (2) seat tightness is acceptable; and
- (3) pressure containing parts will withstand at least 1.5 times the design pressure.

8.2.6 Sealing of *PRVs*

PRVs are to be set and sealed by the Administration or the Society.

8.2.7 Changing Set Pressure of PRVs*

Cargo tanks may be permitted to have more than one relief valve set pressure in the following cases:

- (1) installing two or more properly set and sealed *PRVs* and providing means, as necessary, for isolating the valves not in use from the cargo tank; or
- (2) installing relief valves whose settings may be changed by the use of a previously approved device not requiring pressure testing to verify the new set pressure. All other valve adjustments are to be capable of being sealed.

8.2.8 Procedures for Changing Set Pressure

The procedures for changing set pressures in accordance with **8.2.7**, and for resetting alarms in accordance with **13.4.2** are to be specified in the ship's operating manual.

8.2.9 Means of Emergency Isolation of PRVs*

In the event of a failure of a cargo tank-installed *PRV*, a safe means of emergency isolation is to be available:

- (1) Procedures are to be provided and included in the cargo operations manual (See **18.2**).
- (2) The procedures are to allow only one of the cargo tank installed *PRVs* to be isolated.

8.2.10 Venting Systems*

Each *PRV* installed on a cargo tank is to be connected to a venting system, which is to be:

- (1) so constructed that the discharge will be unimpeded and directed vertically upwards at the exit;
- (2) arranged to minimize the possibility of water or snow entering the vent system;
- (3) arranged such that the height of vent exits is not to be less than $B/3$ or 6 m , whichever is the greater, above the weather deck;
- (4) 6 m above working areas and walkways.

8.2.11 Arrangement of Vent Outlets*

1 Cargo tank *PRV* vent exits are to be arranged at a distance at least equal to B or 25 m , whichever is less, from the nearest air intake, outlet or opening to accommodation spaces, service spaces and control stations, or other non-hazardous areas. For ships less than 90 m in length (L_f), smaller distances may be permitted.

2 All other vent outlets connected to the cargo containment system are to be arranged at a distance of at least 10 m from the nearest air intake, outlet or opening to accommodation spaces, service spaces and control stations, or other non-hazardous areas.

8.2.12 Arrangement of All Other Cargo Vent Outlets*

All other cargo vent outlets not dealt with in other Chapters are to be arranged in accordance with **8.2.10** and **8.2.11**. Means are to be provided to prevent liquid overflow from vent mast outlets, due to hydrostatic pressure from spaces to which they are connected.

8.2.13 Pressure Relief Systems for Simultaneously Carrying Cargoes which React in a Dangerous Manner*

If cargoes that react in a dangerous manner with each other are carried simultaneously, a separate pressure relief system is to be fitted for each one.

8.2.14 Means for Draining*

In the vent piping system, means for draining liquid from places where it may accumulate are to be provided. The *PRVs* and piping are to be arranged so that liquid can, under no circumstances, accumulate in or near the *PRVs*.

8.2.15 Protection Screens on Vent Outlets

Suitable protection screens of not more than 13 mm square mesh are to be fitted on vent outlets to prevent the ingress of extraneous objects without adversely affecting the flow. Other requirements for protection screens apply when carrying specific cargoes (See **17.9** and **17.21**).

8.2.16 Design of Vent Piping

All vent piping is to be designed and arranged not to be damaged by temperature variations to which it may be exposed, forces due to flow or the ship's motions.

8.2.17 Position of PRVs

PRVs are to be connected to the highest part of the cargo tank above deck level. *PRVs* are to be positioned on the cargo tank so that they will remain in the vapour phase at the filling limit (*FL*) as defined in **Chapter 15** of this Part, under conditions of 15° list and $0.015L_f$ trim.

8.2.18 Adequacy of the Vent System*

The adequacy of the vent system fitted on tanks loaded in accordance with **15.5.2** is to be approved by the Society, taking into account the *IMO* resolution *A.829(19)*. A relevant certificate is to be permanently kept on board the ship. For the purposes of

this paragraph, vent system means:

- (1) the tank outlet and the piping to the *PRV*
- (2) the *PRV*
- (3) the piping from the *PRVs* to the location of discharge to the atmosphere, and including any interconnections and piping that joins other tanks

8.3 Vacuum Protection Systems (*IGC Code 8.3*)

8.3.1 Fitting of Vacuum Protection Systems*

Cargo tanks not designed to withstand a maximum external pressure differential 0.025 MPa , or tanks that cannot withstand the maximum external pressure differential that can be attained at maximum discharge rates with no vapour return into the cargo tanks, or by operation of a cargo refrigeration system, or by thermal oxidation, are to be fitted with:

- (1) two independent pressure switches to sequentially alarm and subsequently stop all suction of cargo liquid or vapour from the cargo tank, and refrigeration equipment, if fitted, by suitable means at a pressure sufficiently below the maximum external designed pressure differential of the cargo tank; or
- (2) vacuum relief valves with a gas flow capacity at least equal to the maximum cargo discharge rate per cargo tank, set to open at a pressure sufficiently below the external design differential pressure of the cargo tank.

8.3.2 Requirement of Vacuum Relief Valves*

Subject to the requirements of [Chapter 17](#) of this Part, the vacuum relief valves are to admit an inert gas, cargo vapour or air to the cargo tank and to be arranged to minimize the possibility of the entrance of water or snow. If cargo vapour is admitted, it is to be from a source other than the cargo vapour lines.

8.3.3 Testing of Vacuum Protection Systems

The vacuum protection system is to be capable of being tested to ensure that it operates at the prescribed pressure.

8.4 Sizing of Pressure Relieving Systems (*IGC Code 8.4*)

8.4.1 Sizing of *PRVs**

PRVs are to have a combined relieving capacity for each cargo tank to discharge the greater of the following with not more than a 20% rise in cargo tank pressure above the *MARVS*:

- (1) The maximum capacity of the cargo tank inerting system, if the maximum attainable working pressure of the cargo tank inerting system exceeds the *MARVS* of the cargo tanks; or
- (2) Vapours generated under fire exposure computed using the following formula:

$$Q = FGA^{0.82}(\text{m}^3/\text{s})$$

where:

Q: minimum required rate of discharge of air at standard conditions of 273.15 Kelvin (*K*) and 0.1013 *MPa*.

F: fire exposure factor for different cargo tank types as follows:

$F = 1.0$ for tanks without insulation located on deck;

$F = 0.5$ for tanks above the deck when insulation is approved by the Society. (Approval will be based on the use of a fireproofing material, the thermal conductance of insulation, and its stability under fire exposure);

$F = 0.5$ for uninsulated independent tanks installed in holds;

$F = 0.2$ for insulated independent tanks in holds (or uninsulated independent tanks in insulated holds);

$F = 0.1$ for insulated independent tanks in inerted holds (or uninsulated independent tanks in inerted, insulated holds);

$F = 0.1$ for membrane and semi-membrane tanks.

For independent tanks partly protruding through the weather decks, the fire exposure factor is to be determined on the basis of the surface areas above and below deck.

G: gas factor according to formula:

$$G = \frac{12.4}{L_h D_h} \sqrt{\frac{ZT}{M}}$$

with:

T : temperature in degree Kelvin (K) at relieving conditions, i.e. 120% of the pressure at which the pressure relief valve is set;

L_h : latent heat of the material being vaporized at relieving conditions, in kJ/kg ;

D_h : a constant based on relation of specific heats k and is calculated as follows (k = ratio of specific heats at relieving conditions, and the value of which is between 1 and 2.2. if k is not known $D_h = 0.606$ is to be used.):

$$D_h = \sqrt{k \left(\frac{2}{k+1} \right)^{\frac{k+1}{k-1}}}$$

Z : compressibility factor of the gas at relieving conditions. If not known, $Z = 1$ is to be used; and

M : molecular mass of the product

The gas factor of each cargo to be carried is to be determined and the highest value is to be used for PRV sizing.

A : external surface area of the tank (m^2), as defined in 1.1.4(13), for different tank types, as shown in Fig. N8.1.

(3) The required mass flow of air at relieving conditions is given by the formula:

$$M_{air} = Q \rho_{air} \text{ (kg/s)}$$

where:

density of air (ρ_{air}) = 1.293 kg/m^3 (air at 273.15 K , 0.1013 MPa).

8.4.2 Sizing of Vent Pipe System

Pressure losses upstream and downstream of the $PRVs$ are to be taken into account when determining their size to ensure the flow capacity required by 8.4.1.

8.4.3 Upstream Pressure Losses

1 The pressure drop in the vent line from the tank to the PRV inlet is not to exceed 3% of the valve set pressure at the calculated flow rate, in accordance with 8.4.1.

2 Pilot-operated $PRVs$ are to be unaffected by inlet pipe pressure losses when the pilot senses directly from the tank dome.

3 Pressure losses in remotely sensed pilot lines are to be considered for flowing type pilots.

8.4.4 Downstream Pressure Losses

1 Where common vent headers and vent masts are fitted, calculations are to include flow from all attached $PRVs$.

2 The built-up back pressure in the vent piping from the PRV outlet to the location of discharge to the atmosphere, and including any vent pipe interconnections that join other tanks, is not to exceed the following values. Alternative values provided by the PRV manufacturer may be accepted.

(1) for unbalanced $PRVs$, 10% of $MARVS$;

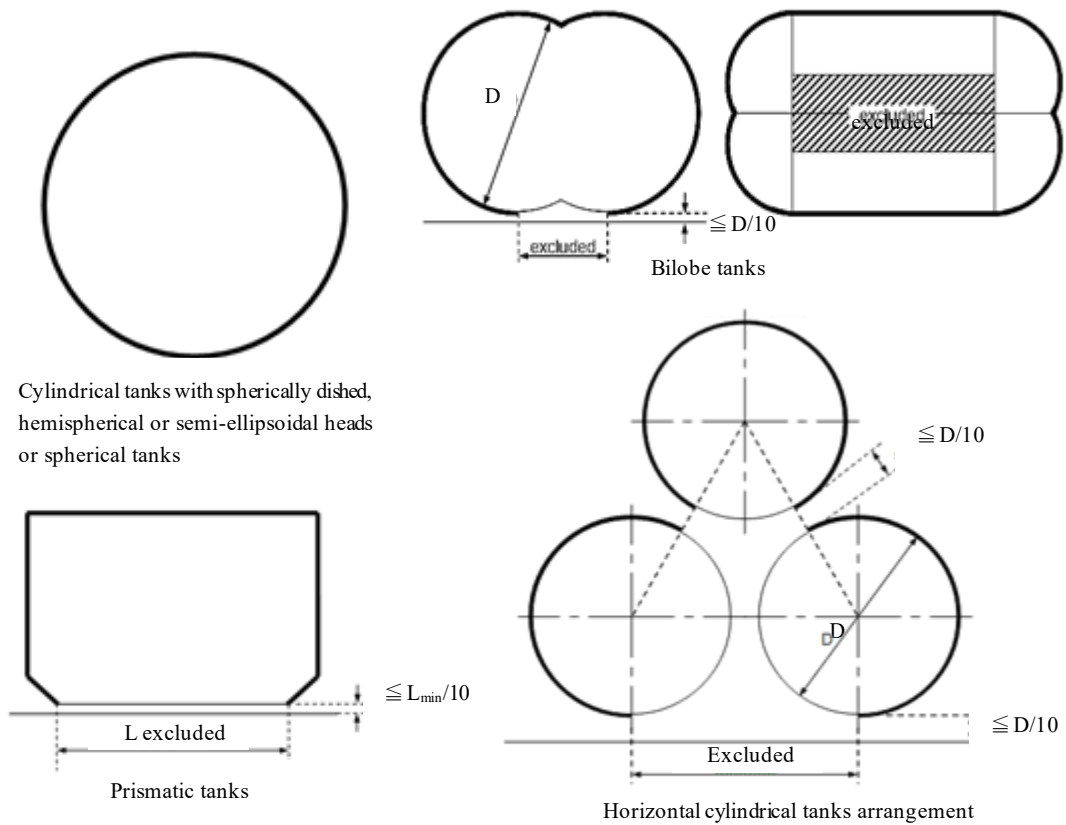
(2) for balanced $PRVs$, 30% of $MARVS$; and

(3) for pilot operated $PRVs$, 50% of $MARVS$.

8.4.5 Blow-down

To ensure stable PRV operation, the blow-down is not to be less than the sum of the inlet pressure loss and 0.02 $MARVS$ at the rated capacity.

Fig. N8.1



Cylindrical tanks with spherically dished, hemispherical or semi-ellipsoidal heads or spherical tanks

Prismatic tanks

Horizontal cylindrical tanks arrangement

8.5 Operating Requirements

8.5.1 Application

The provisions in 8.5 are not related to surveys necessary for the maintenance of classification, but indicate those matters which are to be strictly observed by the shipowner or the ship master as well as all other persons responsible for the ship's operation.

8.5.2 Pressure Relief Valves (Related to IGC Code 8.2.6)

Records of the actions specified in 8.2.6, including the set pressures of valves, are to be retained aboard the ship.

8.5.3 Changing Set Pressure of PRVs (Related to IGC Code 8.2.7)

All valve adjustments, excluding those for relief valves whose settings are changed, are to be sealed when applying 8.2.7(2).

8.5.4 Procedure of Changing Set Pressure (Related to IGC Code 8.2.8)

Changing set pressures, in accordance with 8.2.7, and resetting alarms, in accordance with 13.4.2, are to be carried out under the supervision of the ship's master in accordance with approved procedures and as specified in the ship's operating manual. Changes in set pressure are to be recorded in the ship's log and a sign is to be posted in the cargo control room, if provided, and at each relief valve, stating the set pressure.

8.5.5 Means of Emergency Isolation of PRVs (Related to IGC Code 8.2.9)

Emergency isolation of PRVs under the provisions of 8.2.9 is to be carried out under the supervision of the ship's master. This action is to be recorded in the ship's log and a sign posted in the cargo control room, if provided, and at the PRV. The tank is not to be loaded until the full relieving capacity is restored.

Chapter 9 CARGO CONTAINMENT SYSTEM ATMOSPHERE CONTROL

9.1 Atmosphere Control within the Cargo Containment Systems (Related to IGC Code 9.1)

9.1.1 Atmosphere Control Systems of Cargo Tanks*

A piping system is to be arranged to enable each cargo tank to be safely gas-freed, and to be safely filled with cargo vapour from a gas-free condition. The system is to be arranged to minimize the possibility of pockets of gas or air remaining after changing the atmosphere.

9.1.2 Inerting of Cargo Tanks*

For flammable cargoes, the system is to be designed to eliminate the possibility of a flammable mixture existing in the cargo tank during any part of the atmosphere change operation by utilizing an inerting medium as an intermediate step.

9.1.3 Piping Systems

Piping systems that may contain flammable cargoes are to comply with 9.1.1 and 9.1.2.

9.1.4 Monitoring of Atmosphere Change*

A sufficient number of gas sampling points is to be provided for each cargo tank and cargo piping system to adequately monitor the progress of atmosphere change. Gas sampling connections are to be fitted with a single valve above the main deck, sealed with a suitable cap or blank (see 5.6.5-5).

9.1.5 Provision of Inert Gas

Inert gas utilized in these procedures may be provided from the shore or from the ship.

9.2 Atmosphere Control within the Hold Spaces (Cargo Containment Systems other than Type C Independent Tanks) (Related to IGC Code 9.2)

9.2.1 Atmosphere Control, Requiring Full or Partial Secondary Barriers*

Interbarrier and hold spaces associated with cargo containment systems for flammable gases requiring full or partial secondary barriers are to be inerted with a suitable dry inert gas and kept inerted with make-up gas provided by a shipboard inert gas generation system, or by shipboard storage, which is to be sufficient for normal consumption for at least 30 days.

9.2.2 Alternative Arrangements of Atmosphere Control, Requiring Partial Secondary Barriers*

Alternatively, subject to the restrictions specified in Chapter 17 of this Part, the spaces referred to in 9.2.1 requiring only a partial secondary barrier may be filled with dry air provided that the ship maintains a stored charge of inert gas or is fitted with an inert gas generation system sufficient to inert the largest of these spaces, and provided that the configuration of the spaces and the relevant vapour detection systems, together with the capability of the inerting arrangements, ensures that any leakage from the cargo tanks will be rapidly detected and inerting effected before a dangerous condition can develop. Equipment for the provision of sufficient dry air of suitable quality to satisfy the expected demand is to be provided.

9.2.3 Atmosphere Control of Non-flammable Gases*

For non-flammable gases, the spaces referred to in 9.2.1 and 9.2.2 may be maintained with a suitable dry air or inert atmosphere.

9.3 Environmental Control of Spaces Surrounding Type C Independent Tanks (Related to IGC Code 9.3)

9.3.1 Environmental Control of Spaces Surrounding Type C Independent Tanks*

Spaces surrounding cargo tanks that do not have secondary barriers are to be filled with suitable dry inert gas or with dry air and be maintained in this condition with make-up inert gas provided by a shipboard inert gas generation system, shipboard storage of inert gas, or with dry air provided by suitable air drying equipment. If the cargo is carried at ambient temperature, the requirement for dry air or inert gas is not applicable.

9.4 Inerting (Related to IGC Code 9.4)**9.4.1 Properties of Inert Gas and Its Supply***

Inerting refers to the process of providing a non-combustible environment. Inert gases are to be compatible chemically and operationally at all temperatures likely to occur within the spaces and the cargo. The dew points of the gases are to be taken into consideration.

9.4.2 Inert Gas for Fire-fighting

Where inert gas is also stored for fire-fighting purposes, it is to be carried in separate containers and is not to be used for cargo services.

9.4.3 Storage of Inert Gas at Low Temperature*

Where inert gas is stored at temperatures below 0°C, either as a liquid or as a vapour, the storage and supply system are to be designed so that the temperature of the ship's structure is not reduced below the limiting values imposed on it.

9.4.4 Prevention of the Backflow of Cargo Vapour

Arrangements to prevent the backflow of cargo vapour into the inert gas system that are suitable for the cargo carried, are to be provided. If such plants are located in machinery spaces or other spaces outside the cargo area, two non-return valves or equivalent devices and, in addition, a removable spool piece is to be fitted in the inert gas main in the cargo area. When not in use, the inert gas system is to be made separate from the cargo system in the cargo area except for connections to the hold spaces or interbarrier spaces.

9.4.5 Isolation of Inerted Spaces

The arrangements are to be such that each space being inerted can be isolated and the necessary controls and relief valves etc. are to be provided for controlling pressure in these spaces.

9.4.6 Insulation Spaces

Where insulation spaces are continually supplied with an inert gas as part of a leak detection system, means are to be provided to monitor the quantity of gas being supplied to individual spaces.

9.5 Inert Gas Production On Board (Related to IGC Code 9.5)**9.5.1 Inert Gas Production Equipment***

The equipment is to be capable of producing inert gas with an oxygen content at no time greater than 5% by volume subject to the special requirements of **Chapter 17** of this Part. A continuous-reading oxygen content meter is to be fitted to the inert gas supply from the equipment and is to be fitted with an alarm set at a maximum of 5% oxygen content by volume, subject to the requirements of **Chapter 17** of this Part.

9.5.2 Pressure Controls

An inert gas system is to have pressure controls and monitoring arrangements appropriate to the cargo containment system.

9.5.3 Spaces Containing Inert Gas Generation Plants

Spaces containing inert gas generation plants are to have no direct access to accommodation spaces, service spaces or control stations, but may be located in machinery spaces. Inert gas piping is not to pass through accommodation spaces, service spaces or control stations.

9.5.4 Combustion Equipment for Generating Inert Gas

Combustion equipment for generating inert gas is not to be located within the cargo area. Special consideration may be given to the location of inert gas generating equipment using a catalytic combustion process.

Chapter 10 ELECTRICAL INSTALLATIONS

10.1 General

10.1.1 Definition (Related to IGC Code 10.1)

For the purpose of this chapter, unless expressly provided otherwise, the definitions below are to apply.

- (1) "Hazardous areas" are those areas or the spaces where flammable or explosive substances are placed and where it is likely that flammable or explosive gases or vapours will be given off by these substances.
 - (a) Zone 0: areas or spaces in which an explosive gas atmosphere is either continuously present or is present for long periods of time
 - (b) Zone 1: areas or spaces in which an explosive gas atmosphere is likely to occur under normal conditions
 - (c) Zone 2: areas or spaces in which an explosive gas atmosphere is likely to occur under abnormal conditions
- (2) "Non-hazardous areas" are those areas or the spaces in which an explosive gas atmosphere is not expected to be present in quantities sufficient enough to require any special precautions be taken regarding the construction, installation and use of electrical apparatus.

10.2 General Requirements (IGC Code 10.2)

10.2.1 Risk of Fire and Explosion from Flammable Product

Electrical installations are to be such as to minimize risk of fire and explosion from flammable products.

10.2.2 Electrical Installations

Electrical installations are to comply with those relevant requirements given in [Chapter 4, Part H](#).

10.2.3 Restriction of Electrical Equipment in Gas-dangerous Spaces

Electrical equipment and cables are not to be installed in the hazardous areas, unless it conforms to the requirements in [4.2.4, Part H](#).

10.2.4 Certified Safe Type Equipment*

Where electrical equipment is installed in hazardous areas as provided in [10.2.3](#), it is to be to the satisfaction of the Society and to be of approved or certified one as the safe type. Automatic isolation of non-certified equipment on detection of a flammable gas is not to be accepted as an alternative to the use of certified equipment.

10.2.5 Classification of Hazardous Areas

To facilitate the selection of appropriate electrical apparatus and the design of suitable electrical installations, hazardous areas are to be categorized in accordance with whose requirements given in [4.2.3-3, -4 and -5, Part H](#).

10.2.6 Electrical Generation and Distribution Systems*

Electrical generation and distribution systems, and associated control systems are to be designed such that a single fault will not result in the loss of ability to maintain cargo tank pressures, as required by [7.8.1](#), and hull structure temperature, as required by [4.19.1-6](#), within normal operating limits. Failure modes and effects are to be analyzed and documented to the standard deemed appropriate by the Society.

10.2.7 Lighting System in Hazardous Areas

The lighting system in hazardous areas is to be divided between at least two branch circuits. All switches and protective devices are to interrupt all poles or phases and are to be located in non-hazardous areas.

10.2.8 Hull Fittings in Hazardous Areas

Transducers for electrical depth sounding or log devices and impressed current cathodic protection system anodes or electrodes are to be housed in gastight enclosures.

10.2.9 Submerged Cargo Pump Motors

Submerged cargo pump motors and their supply cables may be fitted in cargo containment systems. Arrangements are to be made to automatically shut down the motors in the event of low-liquid level. This may be accomplished by sensing low pump discharge

pressure, low motor current or low liquid level. This shutdown is to be alarmed at the cargo control station. Cargo pump motors are to be capable of being isolated from their electrical supply during gas-freeing operations.

Chapter 11 FIRE PROTECTION AND EXTINCTION

11.1 Fire Safety Requirements (IGC Code 11.1)

11.1.1 General*

1 The requirements for tankers in **Part R** are to apply to ships covered by this Part, irrespective of tonnage including ships of less than 500 *gross tonnage*, except those specified in (1) to (5) below.

- (1) **1.1.1** (except **1.1.1-2**), **4.5.1-6** and **-8**, **4.5.10** and **Chapter 21, Part R** are not to apply;
- (2) **10.4** and **10.5** (except **10.5.5**), **Part R** are to apply, as they would apply to tankers of 2,000 *gross tonnage* and over;
- (3) **10.5.5, Part R** is to apply to ships of 2,000 *gross tonnage* and over.
- (4) The following requirements in other Parts related to tankers are not to apply and are to be replaced by Chapters and Sections of this Part as detailed in **Table N11.1**.
- (5) **4.2.2(8)**, **13.3.3** and **13.4.7, Part R** are to apply to ships of 500 *gross tonnage* and over.

2 Where alternative and supplementary arrangements are provided to the satisfaction of the Society, the requirements in **Part R** need not apply to ships covered by this Part. Where alternative arrangements for inert gas systems are provided to ships covered by this Part, the requirements in **4.5.5-1, Part R** need not apply to these ships, even if these ships carry crude oil and petroleum products having a flashpoint not exceeding 60°C and other liquid products having a similar fire hazard.

Table N11.1

<i>Requirements</i>	<i>Replaced by</i>
10.10, Part R	11.6
4.5.1-1 and 4.5.1-2, Part R	Chapter 3
4.5.5, Part R	Relevant sections in this Part
10.8, Part R	11.3 and 11.4
10.9, Part R	11.5
10.2, Part R	11.2.1 to 11.2.4

11.1.2 Exclusion of Ignition Source*

All sources of ignition are to be excluded from spaces where flammable vapour may be present except as otherwise provided in **Chapters 10** and **16 of this Part**.

11.1.3 Application

The provisions of this section apply in conjunction with **Chapter 3 of this Part**.

11.1.4 Requirement for Cargo Area

For the purposes of fire fighting, any weather deck areas above cofferdams, ballast or void spaces at the after end of the aftermost hold space or at the forward end of the forwardmost hold space are to be included in the cargo area.

11.2 Fire Mains and Hydrants (IGC Code 11.2)

11.2.1 Fire Pump and Fire Main*

Irrespective of size, ships carrying products that are subject to this Part are to comply with the requirements of **10.2, Part R, as applicable to cargo ships**, except that the required fire pump capacity and fire main and water service pipe diameter are not to be limited by the provisions of **10.2.1-3** and **10.2.2-4(1), Part R** when a fire pump is used to supply the water spray system, as permitted by **11.3.3 of this Part**. The capacity of this fire pump is to be such that these areas can be protected when simultaneously supplying two jets of water from fire hoses with 19 mm nozzles at a pressure of at least 0.5 MPa gauge.

11.2.2 Arrangement of Fire Hydrants

The arrangements are to be such that at least two jets of water can reach any part of the deck in the cargo area and those portions of the cargo containment system and tank covers that are above the deck. The necessary number of fire hydrants is to be located to satisfy the above arrangements and to comply with the requirements of **10.2.1-5** and **10.2.3-3, Part R**, with hose lengths as specified in **10.2.3-1(1)**. In addition, the requirements of **10.2.1-6(1), Part R** are to be met at a pressure of at least 0.5 MPa gauge.

11.2.3 Stop Valves

Stop valves are to be fitted in any crossover provided and in the fire main or mains in a protected location, before entering the cargo area and at intervals ensuring isolation of any damaged single section of the fire main, so that **11.2.2** can be complied with using not more than two lengths of hoses from the nearest fire hydrant. The water supply to the fire main serving the cargo area is to be a ring main supplied by the main fire pumps or a single main supplied by fire pumps positioned fore and aft of the cargo area, one of which is to be independently driven.

11.2.4 Nozzles*

Nozzles are to be of a dual-purpose type (i.e. spray/jet type) incorporating a shutoff approved by the Society.

11.2.5 Test after Installation*

After installation, the pipes, valves, fittings and assembled system are to be subject to a tightness and function test.

11.3 Water Spray System (IGC Code 11.3)**11.3.1 Area to be Covered***

On ships carrying flammable and/or toxic products, a water spray system, for cooling, fire prevention and crew protection are to be installed to cover. Ships intended for operation as listed in **1.1.1-5** are to be subject to special consideration (*see* **11.3.3(2)**):

- (1) exposed cargo tank domes, any exposed parts of cargo tanks and any part of cargo tank covers that may be exposed to heat from fires in adjacent equipment containing cargo such as exposed booster pumps/heaters/re-gasification or re-liquefaction plants, hereafter addressed as gas process units, positioned on weather decks;
- (2) exposed on-deck storage vessels for flammable or toxic products;
- (3) gas process units positioned on deck;
- (4) cargo liquid and vapour discharge and loading connections, including the presentation flange and the area where their control valves are situated, which are to be at least equal to the area of the drip trays provided;
- (5) all exposed emergency shut-down (ESD) valves in the cargo liquid and vapour pipes, including the master valve for supply to gas consumers;
- (6) exposed boundaries facing the cargo area, such as bulkheads of superstructures and deckhouses normally manned, cargo machinery spaces, store-rooms containing high fire risk items and cargo control rooms. Exposed horizontal boundaries of these areas do not require protection unless detachable cargo piping connections are arranged above or below. Boundaries of unmanned forecastle structures not containing high fire risk items or equipment do not require water spray protection;
- (7) exposed lifeboats, liferafts and muster stations facing the cargo area, regardless of distance to cargo area; and
- (8) any semi-enclosed cargo machinery spaces and semi-enclosed cargo motor room.

11.3.2 Arrangement and Capacity*

1 The system is to be capable of covering all areas mentioned in **11.3.1(1) to (8)** with a uniformly distributed water application rate of at least 10 l/m²/min for the largest projected horizontal surfaces and 4 l/m²/min for vertical surfaces. For structures having no clearly defined horizontal or vertical surface, the capacity of the water spray system is not to be less than the projected horizontal surface multiplied by 10 l/m²/min.

2 On vertical surfaces, spacing of nozzles protecting lower areas may take account of anticipated rundown from higher areas. Stop valves are to be fitted in the main supply line(s) in the water spray system, at intervals not exceeding 40 m, for the purpose of isolating damaged sections. Alternatively, the system may be divided into two or more sections that may be operated independently, provided the necessary controls are located together in a readily accessible position outside the cargo area. A section protecting any area included in **11.3.1(1)** and **(2)** is to cover at least the entire athwartship tank grouping in that area. Any gas process unit(s) included in **11.3.1(3)** may be served by an independent section.

11.3.3 Capacity of Water Spray Pumps

The capacity of the water spray pumps is to be capable of simultaneous protection of the greater of the following:

- (1) any two complete athwartship tank groupings, including any gas process units within these areas; or
- (2) for ships intended for operation as listed in 1.1.1-5, necessary protection subject to special consideration under 11.3.1 of any added fire hazard and the adjacent athwartship tank grouping,

in addition to surfaces specified in 11.3.1(4) to 11.3.1(8). Alternatively, the main fire pumps may be used for this service provided that their total capacity is increased by the amount needed for the water spray system. In either case, a connection, through a stop valve, is to be made between the fire main and water spray system main supply line outside the cargo area.

11.3.4 Protection by the Fire Pumps

The boundaries of superstructures and deckhouses normally manned, and lifeboats, liferafts and muster areas facing the cargo area, are also to be capable of being served by one of the fire pumps or the emergency fire pump, if a fire in one compartment could disable both fire pumps.

11.3.5 Use for Other Services*

Water pumps normally used for other services may be arranged to supply the water spray system main supply line.

11.3.6 Pipes, Valves, Nozzles and Other Fittings*

All pipes, valves, nozzles and other fittings in the water spray systems are to be resistant to corrosion by seawater. Piping, fittings and related components within the cargo area (except gaskets) are to be designed to withstand 925°C. The water spray system is to be arranged with in-line filters to prevent blockage of pipes and nozzles. In addition, means are to be provided to back-flush the system with fresh water.

11.3.7 Position of Remote Control System of Pumps and Valves

Remote starting of pumps supplying the water spray system and remote operation of any normally closed valves in the system are to be arranged in suitable locations outside the cargo area, adjacent to the accommodation spaces and readily accessible and operable in the event of fire in the protected areas.

11.3.8 Test after Installation*

After installation, the pipes, valves, fittings and assembled system are to be subject to a tightness and function test.

11.4 Dry Chemical Powder Fire-extinguishing Systems (IGC Code 11.4)**11.4.1 General***

Ships in which the carriage of flammable products is intended are to be fitted with fixed dry chemical powder fire-extinguishing systems, approved by the Society, for the purpose of firefighting on the deck in the cargo area, including any cargo liquid and vapour discharge and loading connections on deck and bow or stern cargo handling areas, as applicable.

11.4.2 Performance of the Systems

The system is to be capable of delivering powder from at least two hand hose lines, or a combination of monitor/hand hose lines to any part of the exposed cargo liquid and vapour piping, load/unload connection and exposed gas process units.

11.4.3 Monitors and Hand Hose Lines, etc.*

The dry chemical powder fire-extinguishing system is to be designed with not less than two independent units. Any part required to be protected by 11.4.2 is to be capable of being reached from not less than two independent units with associated controls, pressurizing medium fixed piping, monitors or hand hose lines. For ships with a cargo capacity of less than 1,000 m³ only one such unit need be fitted. A monitor is to be arranged to protect any load/unload connection area and be capable of actuation and discharge both locally and remotely. The monitor is not required to be remotely aimed, if it can deliver the necessary powder to all required areas of coverage from a single position. One hand hose line is to be provided at both port and starboard side at the end of the cargo area facing the accommodation and readily available from the accommodation.

11.4.4 Capacity of Monitor and Hand Hose Line

The capacity of a monitor is to be not less than 10 kg/s. Hand hose lines are to be non-kinkable and be fitted with a nozzle capable of on/off operation and discharge at a rate not less than 3.5 kg/s. The maximum discharge rate is to allow operation by one man. The length of a hand hose line is not to exceed 33 m. Where fixed piping is provided between the powder container and a hand hose line or monitor, the length of piping is not to exceed that length which is capable of maintaining the powder in a fluidized

state during sustained or intermittent use, and which can be purged of powder when the system is shut down. Hand hose lines and nozzles are to be of weather-resistant construction or stored in weather-resistant housing or covers and be readily accessible.

11.4.5 Maximum Effective Distance of Hand Hose Lines*

Hand hose lines are to be considered to have a maximum effective distance of coverage equal to the length of hose. Special consideration is to be given where areas to be protected are substantially higher than the monitor or hand hose reel locations.

11.4.6 Additional Fire-extinguishing Unit

Ships fitted with bow/stern load/unload connections are to be provided with independent dry powder unit protecting the cargo liquid and vapour piping, aft or forward of the cargo area, by hose lines and a monitor covering the bow/stern load/unload complying with the requirements of 11.4.1 to 11.4.5.

11.4.7 Special Consideration

Ships intended for operation as listed in 1.1.1-5 are to be subject to special consideration.

11.4.8 Test after Installation*

After installation, the pipes, valves, fittings and assembled systems are to be subjected to a tightness test and functional testing of the remote and local release stations. The initial testing is also to include a discharge of sufficient amounts of dry chemical powder to verify that the system is in proper working order. All distribution piping are to be blown through with dry air to ensure that the piping is free of obstructions.

11.5 Enclosed Spaces Containing Cargo Handling Equipment

11.5.1 Fixed Fire-extinguishing System

Enclosed spaces meeting the criteria of cargo machinery spaces in 1.1.5(9), and the cargo motor room within the cargo area of any ship, are to be provided with a fixed fire-extinguishing system complying with the provisions of Chapter 22 and subsequent chapters, Part R and taking into account the necessary concentrations/application rate required for extinguishing gas fires.

11.5.2 Fire-extinguishing System for the Ships Dedicated to the Carriage of a Restricted Number of Cargoes*

Enclosed spaces meeting the criteria of cargo machinery spaces in 3.3, within the cargo area of ships that are dedicated to the carriage of a restricted number of cargoes, are to be protected by an appropriate fire-extinguishing system for the cargo carried.

11.5.3 Protection of Turret Compartments

Turret compartments of any ship are to be protected by internal water spray, with an application rate of not less than 10 l/m²/min of the largest projected horizontal surface. If the pressure of the gas flow through the turret exceeds 4 MPa, the application rate is to be increased to 20 l/m²/min. The system is to be designed to protect all internal surfaces.

11.6 Fire-fighter’s Outfits

11.6.1 Number of Outfits (IGC Code 11.6.1)

Every ship carrying flammable products are to carry fire-fighter’s outfits complying with the requirements of 10.10, Part R as shown in Table N11.2.

Table N11.2

Total cargo capacity	Number of outfits
5,000m ³ and below	4
above 5,000m ³	5

11.6.2 Additional Requirements for Safety Equipment (IGC Code 11.6.2)

Additional requirements for safety equipment are given in Chapter 14 of this Part.

11.6.3 Breathing Apparatus (IGC Code 11.6.3)

Any breathing apparatus required as part of a fire-fighter’s outfit is to be a self-contained compressed air-operated breathing apparatus having a capacity of at least 1,200 l of free air.

Chapter 12 MECHANICAL VENTILATION IN THE CARGO AREA

12.1 Spaces Required to be Entered during Normal Cargo Handling Operations (*IGC Code 12.1*)

12.1.1 Mechanical Ventilation of Cargo Compressor and Pump Rooms

Electric motor rooms, cargo compressor and pump rooms, spaces containing cargo handling equipment and other enclosed spaces where cargo vapours may accumulate are to be fitted with fixed artificial ventilation systems capable of being controlled from outside such spaces. The ventilation is to be run continuously to prevent the accumulation of toxic and/or flammable vapours, with a means of monitoring acceptable to the Society to be provided. A warning notice requiring the use of such ventilation prior to entering is to be placed outside the compartment.

12.1.2 Arrangement and Capacity of Mechanical Ventilation Inlets and Outlets

Artificial ventilation inlets and outlets are to be arranged to ensure sufficient air movement through the space to avoid accumulation of flammable, toxic or asphyxiant vapours, and to ensure a safe working environment.

12.1.3 Capacity of Ventilation Systems

The ventilation system is to have a capacity of not less than 30 changes of air per hour, based upon the total volume of the space. As an exception, non-hazardous cargo control rooms may have eight changes of air per hour.

12.1.4 Maintenance of Overpressure*

Where a space has an opening into an adjacent more hazardous space or area, it is to be maintained at an overpressure. It may be made into a less hazardous space or non-hazardous space by overpressure protection in accordance with recognized standards.

12.1.5 Arrangement of Ventilation Ducts, Air Intakes and Outlets*

Ventilation ducts, air intakes and exhaust outlets serving artificial ventilation systems are to be positioned in accordance with recognized standards.

12.1.6 Ventilation Ducts Serving Hazardous Areas

Ventilation ducts serving hazardous areas are not to be led through accommodation, service and machinery spaces or control stations, except as allowed in [Chapter 16](#) of this Part.

12.1.7 Construction of Ventilation Fans*

Electric motors' driving fans are to be placed outside the ventilation ducts that may contain flammable vapours. Ventilation fans are not to produce a source of ignition in either the ventilated space or the ventilation system associated with the space. For hazardous areas, ventilation fans and ducts, adjacent to the fans, are to be of non-sparking construction, as defined below:

Any combination of an aluminium or magnesium alloy fixed or rotating component and a ferrous fixed or rotating component, regardless of tip clearance, is considered a sparking hazard and is not to be used in these places.

- (1) impellers or housing of non-metallic construction, with due regard being paid to the elimination of static electricity;
- (2) impellers and housing of non-ferrous materials;
- (3) impellers and housing of austenitic stainless steel; and
- (4) ferrous impellers and housing with design tip clearance of not less than 13 mm.

12.1.8 Spare Parts

Where fans are required by this chapter, full required ventilation capacity for each space is to be available after failure of any single fan, or spare parts are to be provided comprising a motor, starter spares and complete rotating element, including bearings of each type.

12.1.9 Protection Screens of Ventilation Duct Openings*

Protection screens of not more than 13 mm square mesh are to be fitted to outside openings of ventilation ducts.

12.1.10 Design and Arrangement of the Ventilation*

Where spaces are protected by pressurization, the ventilation is to be designed and installed in accordance with recognized standards.

12.2 Spaces Not Normally Entered (IGC Code 12.2)**12.2.1 Ventilation of Enclosed Spaces***

Enclosed spaces where cargo vapours may accumulate are to be capable of being ventilated to ensure a safe environment when entry into them is necessary. This is to be capable of being achieved without the need for prior entry.

12.2.2 Capacity of Ventilation

For permanent installations, the capacity of 8 air changes per hour is to be provided and for portable systems, the capacity of 16 air changes per hour.

12.2.3 Fans and Blowers

Fans or blowers are to be clear of personnel access openings, and are to comply with [12.1.7](#).

Chapter 13 INSTRUMENTATION AND AUTOMATION SYSTEMS

13.1 General (*IGC Code 13.1.1*)

13.1.1 General

Each cargo tank is to be provided with means for indicating level, pressure and temperature of the cargo. Pressure gauges and temperature indicating devices are to be installed in the liquid and vapour piping systems, in cargo refrigeration installations.

13.1.2 Centralization of Control Equipment and Indicators*

If the loading and unloading of the ship is performed by means of remotely controlled valves and pumps, all controls and indicators associated with a given cargo tank are to be concentrated in one control position.

13.1.3 Calibration and Test of Measuring Instruments*

Instruments are to be capable of being tested to ensure reliability in the working conditions and recalibrated at regular intervals. Test procedures for instruments and the intervals between recalibration are to be in accordance with manufacturer's recommendations.

13.2 Level Indicators for Cargo Tanks (*IGC Code 13.2*)

13.2.1 General*

Each cargo tank is to be fitted with liquid level gauging device(s), arranged to ensure that a level reading is always obtainable whenever the cargo tank is operational. The device(s) is to be designed to operate throughout the design pressure range of the cargo tank and at temperatures within the cargo operating temperature range. The liquid level gauges are to be of type approved by the Society.

13.2.2 Arrangement of Liquid Level Gauge*

Where only one liquid level gauge is fitted, it is to be arranged so that it can be maintained in an operational condition without the need to empty or gas-free the tank.

13.2.3 Type of Level Indicators*

Cargo tank liquid level gauges may be of the following kinds subject to any special requirement for particular cargoes shown in column "g" in the table of [Chapter 19 of this Part](#):

- (1) indirect devices, which determine the amount of cargo by means such as weighing or pipe flow meters;
- (2) closed devices, which do not penetrate the cargo tank, such as devices using radioisotopes or ultrasonic devices;
- (3) closed devices, which penetrate the cargo tank, but which form part of a closed system and keep the cargo from being released, such as float type systems, electronic probes, magnetic probes and bubble tube indicators. If a closed gauging device is not mounted directly on the tank it is to be provided with a shutoff valve located as close as possible to the tank; and
- (4) restricted devices, which penetrate the tank and when in use permit a small quantity of cargo vapour or liquid to escape to the atmosphere, such as fixed tube and slip tube gauges. When not in use, the devices are to be kept completely closed. The design and installation are to ensure that no dangerous escape of cargo can take place when opening the device. Such gauging devices are to be so designed that the maximum opening does not exceed 1.5 mm diameter or equivalent area unless the device is provided with an excess flow valve.

13.3 Overflow Control (*IGC Code 13.3*)

13.3.1 General*

Except as provided in [13.3.4](#), each cargo tank is to be fitted with a high liquid level alarm operating independently of other liquid level indicators and giving an audible and visual warning when activated.

13.3.2 Protection*

Another sensor operating independently of the high liquid level alarm is to automatically actuate a shutoff valve in a manner which will both avoid excessive liquid pressure in the loading line and prevent the tank from becoming liquid full.

13.3.3 Emergency Shutdown Valve

The emergency shutdown valve referred to in 5.5 and 18.3 may be used for this purpose. If another valve is used for this purpose, the same information as referred to in 18.3.1-2(1)(c) is to be available on board. The level detecting devices used for high liquid level alarms and overflow control systems are to be of type approved by the Society.

13.3.4 Omission of Automatic Shutoff*

A high liquid level alarm and automatic shutoff of cargo tank filling need not be required when the cargo tank:

- (1) is a pressure tank with a volume not more than 200 m^3 ; or
- (2) is designed to withstand the maximum possible pressure during the loading operation and such pressure is below that of the start-to-discharge pressure of the cargo tank relief valve.

13.3.5 Installation and Function Test*

The position of the sensors in the tank is to be capable of being verified before commissioning. At the first occasion of full loading after delivery and after each dry-docking, testing of high-level alarms is to be conducted by raising the cargo liquid level in the cargo tank to the alarm point.

13.3.6 Functional Tests for Level Alarms

All elements of the level alarms, including the electrical circuit and the sensor(s), of the high, and overfill alarms, are to be capable of being functionally tested. Systems are to be tested prior to cargo operation in accordance with 18.4.5-2.

13.3.7 Override

Where arrangements are provided for overriding the overflow control system, they are to be such that inadvertent operation is prevented. When this override is operated, continuous visual indication is to be given at the relevant control station(s) and the navigation bridge.

13.4 Pressure Monitoring (IGC Code 13.4)**13.4.1 Pressure Gauges and Alarms of Cargo Tanks**

The vapour space of each cargo tank is to be provided with a direct reading gauge. Additionally, an indirect indication is to be provided at the control position required by 13.1.2. Maximum and minimum allowable pressures are to be clearly indicated.

13.4.2 Pressure Alarms of Cargo Tanks*

A high-pressure alarm and, if vacuum protection is required, a low-pressure alarm, are to be provided on the navigation bridge and at the control position required by 13.1.2. The alarms are to be activated before the set pressures are reached.

13.4.3 High-pressure Alarm

For cargo tanks fitted with *PRVs*, which can be set at more than one set pressure in accordance with 8.2.7, high-pressure alarms are to be provided for each set pressure.

13.4.4 Pressure Indication of Discharge Line and Manifolds

Each cargo pump discharge line and each liquid and vapour cargo manifold are to be provided with at least one pressure indicator.

13.4.5 Pressure Indication between Stop Valves and Hose Connection

Local-reading manifold pressure indication are to be provided to indicate the pressure between ship's manifold valves and hose connections to the shore.

13.4.6 Pressure Indication of Hold Spaces and Interbarrier Spaces

Hold spaces and interbarrier spaces without open connection to the atmosphere are to be provided with pressure indication.

13.4.7 Indicating of Pressure Indication

All pressure indications provided are to be capable of indicating throughout the operating pressure range.

13.5 Temperature Indicating Devices (IGC Code 13.5)**13.5.1 General***

Each cargo tank is to be provided with at least two devices for indicating cargo temperatures, one placed at the bottom of the cargo tank and the second near the top of the tank, below the highest allowable liquid level. The lowest temperature for which the cargo tank has been designed, as shown on the International Certificate of Fitness for the Carriage of Liquefied Gases in Bulk, is to be

clearly indicated by means of a sign on or near the temperature indicating devices.

13.5.2 Design of Temperature Indicating Devices

The temperature indicating devices are to be capable of providing temperature indication across the expected cargo operating temperature range of the cargo tanks.

13.5.3 Thermowells

Where thermowells are fitted, they are to be designed to minimize failure due to fatigue in normal service.

13.6 Gas Detection Requirements (*IGC Code 13.6*)

13.6.1 Application

Gas detection equipment is to be installed to monitor the integrity of the cargo containment, cargo handling and ancillary systems, in accordance with this 13.6.

13.6.2 Gas Detection and Alarms

A permanently installed system of gas detection and audible and visual alarms are to be fitted in:

- (1) all enclosed cargo and cargo machinery spaces (including turrets compartments) containing gas piping, gas equipment or gas consumers;
- (2) other enclosed or semi-enclosed spaces where cargo vapours may accumulate, including hold spaces and interbarrier spaces for independent tanks other than type *C* tanks;
- (3) air-locks;
- (4) spaces in gas-fired internal combustion engines, referred to in 16.7.3-3;
- (5) ventilation hoods and gas ducts required by Chapter 16 of this Part;
- (6) cooling/heating circuits, as required by 7.8.1(4);
- (7) inert gas generator supply headers; and
- (8) motor rooms for cargo handling machinery.

13.6.3 Gas Detection Equipment*

Gas detection equipment are to be designed, installed and tested in accordance with recognized standards acceptable to the Society and are to be suitable for the cargoes to be carried is to be provided in accordance with column “f” in Table N19.1.

13.6.4 Oxygen Deficiency Monitoring Equipment

Where indicated by an “A” in column “f” in Table N19.1 ships certified for carriage of non-flammable products, oxygen deficiency monitoring are to be fitted in cargo machinery spaces and hold spaces for independent tanks other than type *C* tanks. Furthermore, oxygen deficiency monitoring equipment is to be installed in enclosed or semi-enclosed spaces containing equipment that may cause an oxygen-deficient environment such as nitrogen generators, inert gas generators or nitrogen cycle refrigerant systems.

13.6.5 Gas Detection Equipment for Toxic Products*

In the case of products which are toxic or both toxic and flammable, except when column “i” in Table N19.1 refers to 15.3, portable equipment can be used for detection of the toxic products as an alternative to a permanently installed system.

13.6.6 Gas Detection for Toxic Gases*

In the case of toxic gases, hold spaces and interbarrier spaces are to be provided with a permanently installed piping system for obtaining gas samples from the spaces.

13.6.7 Capability of Gas Detection

Permanently installed gas detection is to be of the continuous detection type, capable of immediate response. Where not used to activate safety shutdown functions required by 13.6.9 and Chapter 16 of this Part, sampling type detection may be accepted.

13.6.8 Design of Sampling Type Gas Detection Equipment

When sampling type gas detection equipment is used, the following requirements are to be met:

- (1) the gas detection equipment is to be capable of sampling and analysing for each sampling head location sequentially at intervals not exceeding 30 min;
- (2) individual sampling lines from sampling heads to the detection equipment are to be fitted; and
- (3) pipe runs from sampling heads are not to be led through non-hazardous spaces except as permitted by 13.6.9.

13.6.9 Gas Detection Equipment

The gas detection equipment may be located in a non-hazardous space, provided that the detection equipment such as sample piping, sample pumps, solenoids and analysing units are located in a fully enclosed steel cabinet with the door sealed by a gasket. The atmosphere within the enclosure is to be continuously monitored. At gas concentrations above 30% lower flammable limit (*LFL*) inside the enclosure, the gas detection equipment is to be automatically shut down.

13.6.10 Design of Sample Pipe

Where the enclosure cannot be arranged directly on the forward bulkhead, sample pipes are to be of steel or equivalent material and be routed on their shortest way. Detachable connections, except for the connection points for isolating valves required in **13.6.11** and analysing units, are not permitted.

13.6.11 Location of Gas Detection Equipment

When gas sampling equipment is located in a non-hazardous space, a flame arrester and a manual isolating valve are to be fitted in each of the gas sampling lines. The isolating valve is to be fitted on the non-hazardous side. Bulkhead penetrations of sample pipes between hazardous and non-hazardous areas are to maintain the integrity of the division penetrated. The exhaust gas is to be discharged to the open air in a safe location.

13.6.12 Positions of Fixed Sampling Heads*

In every installation, the number and the positions of detection heads are to be determined with due regard to the size and layout of the compartment, the compositions and densities of the products intended to be carried and the dilution resulting from compartment purging or ventilation and stagnant areas.

13.6.13 Location of Alarms from Gas Detection Equipment

Any alarms status within a gas detection system required by this section are to initiate an audible and visible alarm:

- (1) on the navigation bridge;
- (2) at the relevant control station(s) where continuous monitoring of the gas levels is recorded; and
- (3) at the gas detector readout location.

13.6.14 Gas Detection of Spaces Required to be Inerted*

In the case of flammable products, the gas detection equipment provided for hold spaces and interbarrier spaces that are required to be inerted are to be capable of measuring gas concentrations of 0% to 100% by volume.

13.6.15 Design of Sample Pipe

Alarms are to be activated when the vapour concentration by volume reaches the equivalent of 30% *LFL* in air.

13.6.16 Alarm for Membrane Containment Systems

For membrane containment systems, the primary and secondary insulation spaces are to be able to be inerted and their gas content analysed individually. The alarm in the secondary insulation space is to be set in accordance with **13.6.15**, that in the primary space is set at a value as deemed appropriate by the Society.

13.6.17 Alarms for the Spaces Listed in 13.6.2

For other spaces listed in **13.6.2**, alarms are to be activated when the vapour concentration reaches 30% *LFL* and safety functions required by **Chapter 16 of this Part** are to be activated before the vapour concentration reaches 60% *LFL*. The crankcases of internal combustion engines that can run on gas are to be arranged to alarm before 100% *LFL*.

13.6.18 Test of Gas Detection Equipment

Gas detection equipment is to be so designed that it may readily be tested. Testing and calibration are to be carried out at regular intervals. Suitable equipment for this purpose is to be carried on board and be used in accordance with the manufacturer's recommendations. Permanent connections for such test equipment are to be fitted.

13.6.19 Portable Gas Detection Equipment

Every ship is to be provided with at least two sets of portable gas detection equipment that meet the requirement of **13.6.3** or an acceptable national or international standard.

13.6.20 Measurement of Oxygen Levels*

A suitable instrument for the measurement of oxygen levels in inert atmospheres is to be provided.

13.7 Additional Requirements for Containment Systems Requiring a Secondary Barrier (IGC Code 13.7)**13.7.1 Integrity of Barriers**

Where a secondary barrier is required, permanently installed instrumentation is to be provided to detect when the primary barrier fails to be liquid-tight at any location or when liquid cargo is in contact with the secondary barrier at any location. This instrumentation is to consist of appropriate gas detecting devices according to 13.6. However, the instrumentation need not be capable of locating the area where liquid cargo leaks through the primary barrier or where liquid cargo is in contact with the secondary barrier.

13.7.2 Temperature Indication Devices*

1 The number and position of temperature indicating devices are to be appropriate to the design of the containment system and cargo operation requirements.

2 When a cargo is carried in a cargo containment system with a secondary barrier at a temperature lower than -55°C, temperature indicating devices are to be provided within the insulation or on the hull structure adjacent to cargo containment systems. The devices are to give readings at regular intervals and, where applicable, audible warning of temperatures approaching the lowest for which the hull steel is suitable.

3 If cargo is to be carried at temperatures lower than -55°C, the cargo tank boundaries, if appropriate for the design of the cargo containment system, are to be fitted with a sufficient number of temperature indicating devices to verify that unsatisfactory temperature gradients do not occur.

4 For the purposes of design verification and determining the effectiveness of the initial cooldown procedure on a single or series of similar ships, one tank is to be fitted with devices in excess of those required in 13.7.2-1. These devices may be temporary or permanent and only need to be fitted to the first ship, when a series of similar ships is built.

13.8 Automation Systems (IGC Code 13.8)**13.8.1 Application**

The requirements of this section are to apply where automation systems are used to provide instrumented control, monitoring/alarm or safety functions required by this Rules.

13.8.2 Design of Automation Systems*

Automation systems are to be designed, installed and tested in accordance with recognized standards deemed appropriate by the Society.

13.8.3 Design of Hardware

Hardware is to be capable of being demonstrated to be suitable for use in the marine environment by testing in accordance with 18.7, Part D of the Rules.

13.8.4 Design of Software

Software is to be designed and documented for ease of use, including testing, operation and maintenance.

13.8.5 Interface

The user interface is to be designed such that the equipment under control can be operated in a safe and effective manner at all times.

13.8.6 Safeguard

Automation systems are to be arranged such that a hardware failure or an error by the operator does not lead to an unsafe condition. Adequate safeguards against incorrect operation are to be provided.

13.8.7 Redundancy

Appropriate segregation is to be maintained between control, monitoring/alarm and safety functions to limit the effect of single failures. This is to be taken to include all parts of the automation systems that are required to provide specified functions, including connected devices and power supplies.

13.8.8 Protection of Software

Automation systems are to be arranged such that the software configuration and parameters are protected against unauthorized or unintended change.

13.8.9 Management of Software

A management of change process is to be applied to safeguard against unexpected consequences of modification. Records of configuration changes and approvals are to be maintained on board.

13.8.10 Design of Integrated System*

Processes for the development and maintenance of integrated systems are to be in accordance with recognized standards deemed appropriate by the Society. These processes are to include appropriate risk identification and management.

13.9 System Integration (IGC Code 13.9)

13.9.1 Design

Essential safety functions are to be designed such that risks of harm to personnel or damage to the installation or the environment are reduced to a level acceptable to the Administration, both in normal operation and under fault conditions. Functions are to be designed to fail-safe. Roles and responsibilities for integration of systems are to be clearly defined and agreed by relevant parties.

13.9.2 Design of Subsystem

Functional requirements of each component subsystem are to be clearly defined to ensure that the integrated system meets the functional and specified safety requirements and takes account of any limitations of the equipment under control.

13.9.3 Risk Assessment*

Key hazards of the integrated system are to be identified using appropriate risk-based techniques.

13.9.4 Reversionary Control

The integrated system is to have a suitable means of reversionary control.

13.9.5 Protection of Functionality of Other Parts

Failure of one part of the integrated system is not to affect the functionality of other parts, except for those functions directly dependent on the defective part.

13.9.6 Effectiveness of Operation

Operation with an integrated system is to be at least as effective as it would be with individual stand-alone equipment or systems.

13.9.7 Demonstration

The integrity of essential machinery or systems, during normal operation and fault conditions, is to be demonstrated.

13.10 Operating Requirements

13.10.1 Application

The provisions in **13.10** are not related to surveys necessary for the maintenance of classification, but indicate those matters which are to be strictly observed by the shipowner or the ship master as well as all other persons responsible for the ship's operation.

13.10.2 Calibration and Test of Instruments (IGC Code 13.1.3)

Instruments are to be tested to ensure reliability in the working conditions and recalibrated at regular intervals. Test procedures for instruments and the intervals between recalibration are to be in accordance with manufacturer's recommendations.

13.10.3 Overflow Control (With reference to IGC Code 13.3.3)

During loading, whenever the use of these valves specified in **13.3.3** may possibly create a potential excess pressure surge in the loading system, alternative arrangements such as limiting the loading rate are to be used.

13.10.4 Gas Detection Equipment for Toxic Products (With reference to IGC Code 13.6.5)

If the portable equipment for detection of toxic products specified in 13.6.5 is used before personnel enter the spaces listed in **13.6.2** and at 30 *min* intervals while they remain therein.

13.10.5 Gas Detection for Toxic Gases (With reference to IGC Code 13.6.6)

Gas from the spaces specified in **13.6.6** is to be sampled and analysed from each sampling head location.

13.10.6 Test of Gas Detection Equipment (With reference to IGC Code 13.6.18)

Testing and calibration are to be carried out at regular intervals by the equipment specified in **13.6.18**.

13.11 Additional Requirements

13.11.1 Installation of Gas Detection Equipment*

Installation of gas detection equipment of the sampling type located outside non-hazardous spaces is to conform to the requirements in otherwise specified in addition to those specified in this Part.

Chapter 14 PERSONNEL PROTECTION

14.1 Protective Equipment (IGC Code 14.1)

1 Suitable protective equipment, including eye protection to a recognized national or international standard, is to be provided for protection of crew members engaged in normal cargo operations, taking into account the characteristics of the products being carried.

2 Personal protective and safety equipment required in this chapter is to be kept in suitable, clearly marked lockers located in readily accessible places.

14.2 First-aid Equipment (IGC Code 14.2)

14.2.1 Stretcher

A stretcher that is suitable for hoisting an injured person from spaces below deck is to be kept in a readily accessible location.

14.2.2 Medical First-aid Equipment

The ship is to have onboard medical first-aid equipment, including oxygen resuscitation equipment, based on the requirements of the “*Medical First Aid Guide (MFAG)*” for the cargoes listed on the International Certificate of Fitness for the Carriage of Liquefied Gases in Bulk.

14.3 Safety Equipment (IGC Code 14.3)

14.3.1 Number of Safety Equipment

Sufficient, but not less than three complete sets of safety equipment is to be provided in addition to the firefighter’s outfits required by 11.6.1. Each set is to provide adequate personal protection to permit entry and work in a gas-filled space. This equipment is to take into account the nature of the cargoes, listed on the International Certificate of Fitness for the Carriage of Liquefied Gases in Bulk.

14.3.2 Composition of Safety Equipment

Each complete set of safety equipment is to consist of:

- (1) one self-contained positive pressure air-breathing apparatus incorporating full face mask, not using stored oxygen and having a capacity of at least 1,200 l of free air. Each set is to be compatible with that required by 11.6.1;
- (2) protective clothing, boots and gloves to a recognized standard;
- (3) steel-cored rescue line with belt; and
- (4) explosion-proof lamp.

14.3.3 Supply of Spare Compressed Air

An adequate supply of compressed air is to be provided and to consist of:

- (1) at least one fully charged spare air bottle for each breathing apparatus required by 14.3.1;
- (2) an air compressor of adequate capacity capable of continuous operation, suitable for the supply of high-pressure air of breathable quality; and
- (3) a charging manifold capable of dealing with sufficient spare breathing apparatus air bottles for the breathing apparatus required by 14.3.1.

14.4 Personnel Protection Requirements for Individual Products (IGC Code 14.4)

14.4.1 Application

Requirements of this section are to apply to ships carrying products for which those paragraphs are listed in column “7” in the Table N19.1.

14.4.2 Respiratory for Emergency Escape Purposes etc.

Suitable respiratory and eye protection for emergency escape purposes is to be provided for every person on board, subject to the following (1) to (3).

- (1) filter type respiratory protection is unacceptable;
- (2) self-contained breathing apparatus is to have at least a duration of service of 15 *min*; and
- (3) emergency escape respiratory protection is not to be used for fire-fighting or cargo handling purposes and is to be marked to that effect.

14.4.3 Decontamination Shower and Eyewash Stations*

One or more suitably marked decontamination showers and eyewash stations are to be available on deck, taking into account the size and layout of the ship. The showers and eyewashes are to be operable in all ambient conditions.

14.4.4 Protective Clothing

The protective clothing required under [14.3.2\(2\)](#) is to be gastight.

14.5 Operating Requirements**14.5.1 Application**

The provisions in [14.5](#) are not related to surveys necessary for the maintenance of classification, but indicate those matters which are to be strictly observed by the shipowner or the ship master as well as all other persons responsible for the ship's operation.

14.5.2 Maintenance of Compressed Air Equipment (IGC Code 14.1.3)

The compressed air equipment required in [14.3](#) is to be inspected at least once a month by a responsible officer and the inspection recorded in the ship's log-book. The equipment is to be inspected and tested by a competent person at least once a year.

Chapter 15 FILLING LIMITS FOR CARGO TANKS

15.1 Definitions (Related to IGC Code 15.1)

15.1.1 Filling Limit (*FL*)

Filling limit (*FL*) means the maximum liquid volume in a cargo tank relative to the total tank volume when the liquid cargo has reached the reference temperature.

15.1.2 Loading Limit (*LL*)

Loading limit (*LL*) means the maximum allowable liquid volume relative to the tank volume to which the tank may be loaded.

15.1.3 Reference Temperature

Reference temperature means (for the purposes of this chapter only):

- (1) when no cargo vapour pressure/temperature control, as referred to in **Chapter 7** of this Part, is provided, the temperature corresponding to the vapour pressure of the cargo at the set pressure of the *PRVs*; and
- (2) when a cargo vapour pressure/temperature control, as referred to in **Chapter 7** of this Part, is provided, the temperature of the cargo upon termination of loading, during transport or at unloading, whichever is the greatest.

15.1.4 Ambient Design Temperature

Ambient design temperature for unrestricted service means sea temperature of 32°C and air temperature of 45°C. However, lesser values of these temperatures may be accepted by the Society for ships operating in restricted areas or on voyages of restricted duration, and account may be taken in such cases of any insulation of the tanks. Conversely, higher values of these temperatures may be required for ships permanently operating in areas of high-ambient temperature.

15.2 General Requirements (Related to IGC Code 15.2)

The maximum filling limit of cargo tanks is to be so determined that the vapour space has a minimum volume at reference temperature allowing for:

- (1) tolerance of instrumentation such as level and temperature gauges;
- (2) volumetric expansion of the cargo between the *PRV* set pressure and the maximum allowable rise stated in **8.4**; and
- (3) an operational margin to account for liquid drained back to cargo tanks after completion of loading, operator reaction time and closing time of valves, see **5.5** and **18.3.1-2(1)(d)**.

15.3 Default Filling Limit (Related to IGC Code 15.3)

15.3.1 Default Filling Limit

The default value for the filling limit (*FL*) of cargo tanks is 98% at the reference temperature. Exceptions to this value are to meet the requirements of **15.4**.

15.4 Determination of Increased Filling Limit (Related to IGC Code 15.4)

15.4.1 A Filling Limit Greater than the Limit of 98%*

1 A filling limit greater than the limit of 98% specified in **15.3** may be permitted under the trim and list conditions specified in **8.2.17**, providing:

- (1) no isolated vapour pockets are created within the cargo tank;
- (2) the *PRV* inlet arrangement is to remain in the vapour space; and
- (3) allowances need to be provided for:
 - (a) volumetric expansion of the liquid cargo due to the pressure increase from the *MARVS* to full flow relieving pressure in accordance with **8.4.1**;

- (b) an operational margin of minimum 0.1% of tank volume; and
 - (c) tolerances of instrumentation such as level and temperature gauges.
- 2 In no case is a filling limit exceeding 99.5% at reference temperature to be permitted.

15.5 Maximum Loading Limit (Related to IGC Code 15.5)

15.5.1 Maximum Loading Limit

The maximum loading limit (LL) to which a cargo tank may be loaded is to be determined by the following formula:

$$LL = FL \frac{\rho_R}{\rho_L}$$

where:

- LL = loading limit as defined in 15.1.2, expressed in percentage;
- FL = filling limit as specified in 15.3 or 15.4 expressed in percentage;
- ρ_R = relative density of cargo at the reference temperature; and
- ρ_L = relative density of cargo at the loading temperature.

15.5.2 Maximum Loading Limit in Type C Tanks

The Society may allow type C tanks to be loaded according to the formula in 15.5.1 with the relative density ρ_R as defined below, provided that the tank vent system has been approved in accordance with 8.2.18:

ρ_R = relative density of cargo at the highest temperature that the cargo may reach upon termination of loading, during transport, or at unloading, under the ambient design temperature conditions described in 15.1.4.

This paragraph does not apply to products requiring a type 1G ship.

15.6 Information to be Provided to the Master

15.6.1 Document Specifying Maximum Allowable Loading Limits (IGC Code 15.6)

- 1 A document is to be provided to the ship, specifying the maximum allowable loading limits for each cargo tank and product, at each applicable loading temperature and maximum reference temperature. The information in this document is to be approved by the Administration or the Society.
- 2 Pressures at which the $PRVs$ have been set are also to be stated in the document.

15.7 Operation Conditions

15.7.1 Application

The provisions in 15.7 are not related to surveys necessary for the maintenance of classification, but indicate those matters which are to be strictly observed by the shipowner or the ship master as well as all other persons responsible for the ship's operation.

15.7.2 Copy of Document Specifying Maximum Allowable Loading Limits (Related to IGC Code 15.6.3)

A copy of the document in 15.6.1 is to be permanently kept on board by the master.

Chapter 16 USE OF CARGO AS FUEL

16.1 General (*IGC Code 16.1*)

16.1.1 General*

1 Except as provided for in [16.9](#), methane (*LNG*) is the only cargo whose vapour or boil-off gas may be utilized in machinery spaces of category **A**, and, in these spaces, it may be utilized only in systems such as boilers, inert gas generators, internal combustion engines, gas combustion unit and gas turbines.

2 (Deleted)

3 In addition to **-1** above, engines supplied with natural gas as fuel (hereinafter referred to as “gas-fuelled engines”) and gas fuel supply systems are to be in accordance with [Annex 16.1.1-3](#).

16.2 Use of Cargo Vapour as Fuel (*IGC Code 16.2*)

This section addresses the use of cargo vapour as fuel in systems such as boilers, inert gas generators, internal combustion engines, gas combustion units and gas turbines.

16.2.1 Fuel Systems Supplying *LNG*

For vaporized *LNG*, the fuel supply system is to comply with the requirements of [16.4.1](#), [16.4.2](#) and [16.4.3](#).

16.2.2 *LNG* Gas Consumers

For vaporized *LNG*, gas consumers are to exhibit no visible flame and are to maintain the uptake exhaust temperature below 535°C.

16.3 Arrangement of Spaces Containing Gas Consumers (*IGC Code 16.3*)

16.3.1 Mechanical Ventilation System

Spaces in which gas consumers are located are to be fitted with a mechanical ventilation system that is arranged to avoid areas where gas may accumulate, taking into account the density of the vapour and potential ignition sources. The ventilation system is to be separated from those serving other spaces.

16.3.2 Gas Detectors

Gas detectors are to be fitted in these spaces, particularly where air circulation is reduced. The gas detection system is to comply with the requirements of [Chapter 13](#) of this Part.

16.3.3 Electrical Equipment Located in the Double Wall Pipe and Duct

Electrical equipment located in the double wall pipe or duct specified in [16.4.3](#) is to comply with the requirements of [Chapter 10](#) of this Part.

16.3.4 Vents and Bleed Lines*

All vents and bleed lines that may contain or be contaminated by gas fuel are to be routed to a safe location external to the machinery space and be fitted with a flame screen.

16.4 Gas Fuel Supply (*IGC Code 16.4*)

16.4.1 General

1 The requirements of this section are to apply to gas fuel supply piping outside of the cargo area. Fuel piping is not to pass through accommodation spaces, service spaces, electrical equipment rooms or control stations. The routing of the pipeline is to take into account potential hazards, due to mechanical damage, in areas such as stores or machinery handling areas.

2 Provision is to be made for inerting and gas-freeing that portion of the gas fuel piping systems located in the machinery space.

16.4.2 Leak Detection Countermeasure against Gas Leak

Continuous monitoring and alarms are to be provided to indicate a leak in the piping system in enclosed spaces and shut down the relevant gas fuel supply.

16.4.3 Routing of Fuel Supply Pipes

Fuel piping may pass through or extend into enclosed spaces other than those mentioned in 16.4.1, provided it fulfils one of the following conditions:

- (1) it is of a double-wall design with the space between the concentric pipes pressurized with inert gas at a pressure greater than the gas fuel pressure. The master gas fuel valve, as required by 16.4.6, closes automatically upon loss of inert gas pressure; or
- (2) it is installed in a pipe or duct equipped with mechanical exhaust ventilation having a capacity of at least 30 air changes per hour and is arranged to maintain a pressure less than the atmospheric pressure. The mechanical ventilation is in accordance with Chapter 12 of this Part, as applicable. The ventilation is capable of being always in operation when there is fuel in the piping and the master gas fuel valve, as required by 16.4.6, closes automatically if the required air flow is not established and maintained by the exhaust ventilation system. The inlet or the duct may be from a non-hazardous machinery space, and the ventilation outlet is in a safe location.

16.4.4 Requirements for Gas Fuel with Pressure Greater than 1 MPa

1 Fuel delivery lines between the high-pressure fuel pumps/compressors and consumers are to be protected with a double-walled piping system capable of containing a high pressure line failure, taking into account the effects of both pressure and low temperature. A single-walled pipe in the cargo area up to the isolating valve(s) required by 16.4.6 is acceptable.

2 The arrangement in 16.4.3(2) may also be acceptable providing the pipe or trunk is capable of containing a high pressure line failure, according to the requirements of 16.4.7 and taking into account the effects of both pressure and possible low temperature and providing both inlet and exhaust of the outer pipe or trunk are in the cargo area.

16.4.5 Gas Consumer Isolation

The supply piping of each gas consumer unit is to be provided with gas fuel isolation by automatic double block and bleed, vented to a safe location, under both normal and emergency operation. The automatic valves are to be arranged to fail to the closed position on loss of actuating power. In a space containing multiple consumers, the shutdown of one is not to affect the gas supply to the others.

16.4.6 Spaces Containing Gas Consumers

1 It is to be possible to isolate the gas fuel supply to each individual space containing a gas consumer(s) or through which fuel gas supply piping is run, with an individual master valve, which is located within the cargo area. The isolation of gas fuel supply to a space is not to affect the gas supply to other spaces containing gas consumers if they are located in two or more spaces, and it is not to cause loss of propulsion or electrical power.

2 If the double barrier around the gas supply system is not continuous due to air inlets or other openings, or if there is any point where single failure will cause leakage into the space, the individual master valve for the space is to operate under the following circumstances:

- (1) automatically by:
 - (a) gas detection within the space;
 - (b) leak detection in the annular space of a double-walled pipe;
 - (c) leak detection in other compartments inside the space, containing single-walled gas piping;
 - (d) loss of ventilation in the annular space of a double-walled pipe; and
 - (e) loss of ventilation in other compartments inside the space, containing single-walled gas piping.
- (2) manually from within the space, and at least one remote location.

3 If the double barrier around the gas supply system is continuous, an individual master valve located in the cargo area may be provided for each gas consumer inside the space. The individual master valve is to operate under the following circumstances:

- (1) automatically by:
 - (a) leak detection in the annular space of a double-walled pipe served by that individual master valve;
 - (b) leak detection in other compartments containing single-walled gas piping that is part of the supply system served by the individual master valve; and

- (c) loss of ventilation or loss of pressure in the annular space of a double-walled pipe.
- (2) manually from within the space, and at least one remote location.

16.4.7 Piping and Ducting Construction

Gas fuel piping in machinery spaces is to comply with 5.1 to 5.9, as applicable. The piping is to, as far as practicable, have welded joints. Those parts of the gas fuel piping that are not enclosed in a ventilated pipe or duct according to 16.4.3, and are on the weather decks outside the cargo area, are to have full penetration butt-welded joints and are to be fully radiographed.

16.4.8 Gas Detection

Gas detection systems provided in accordance with the requirements of this Chapter are to activate the alarm at 30% *LFL* and shut down the master gas fuel valve required by 16.4.6 at not more than 60% *LFL* (See 13.6.17).

16.5 Gas Fuel Plants and Related Storage Tanks (IGC Code 16.5)

16.5.1 Provision of Gas Fuel

All equipment (heaters, compressors, vaporizers, filters, etc.) for conditioning the cargo and/or cargo boil off vapour for its use as fuel, and any related storage tanks, are to be located in the cargo area. If the equipment is in an enclosed space, the space is to be ventilated according to 12.1 and be equipped with a fixed fire-extinguishing system, according to 11.5, and with a gas detection system according to 13.6, as applicable.

16.5.2 Remote Stops

1 All rotating equipment utilized for conditioning the cargo for its use as fuel is to be arranged for manual remote stop from the engine-room. Additional remote stops are to be located in areas that are always easily accessible, typically cargo control room, navigation bridge and fire control station.

2 The fuel supply equipment is to be automatically stopped in the case of low suction pressure or fire detection. Unless expressly provided otherwise, the requirements of 18.3 need not apply to gas fuel compressors or pumps when used to supply gas consumers.

16.5.3 Heating and Cooling Mediums*

If the heating or cooling medium for the gas fuel conditioning system is returned to spaces outside the cargo area, provisions are to be made to detect and alarm the presence of cargo/cargo vapour in the medium. Any vent outlet is to be in a safe position and fitted with an effective flame screen of an approved type.

16.5.4 Piping and Pressure Vessels

Piping or pressure vessels fitted in the gas fuel supply system are to comply with Chapter 5 of this Part.

16.6 Special Requirements for Main Boilers (IGC Code 16.6)

16.6.1 Arrangements

- 1 Each boiler is to have a separate exhaust uptake.
- 2 Each boiler is to have a dedicated forced draught system. A crossover between boiler force draught systems may be fitted for emergency use providing that any relevant safety functions are maintained.
- 3 Combustion chambers and uptakes of boilers are to be designed to prevent any accumulation of gaseous fuel.

16.6.2 Combustion Equipment

- 1 The burner systems are to be of dual type, suitable to burn either: oil fuel or gas fuel alone, or oil and gas fuel simultaneously.
- 2 Burners are to be designed to maintain stable combustion under all firing conditions.
- 3 An automatic system is to be fitted to change over from gas fuel operation to oil fuel operation without interruption of the boiler firing, in the event of loss of gas fuel supply.
- 4 Gas nozzles and the burner control system are to be configured such that gas fuel can only be ignited by an established oil fuel flame, unless the boiler and combustion equipment is designed and approved by recognized organization to light on gas fuel.

16.6.3 Safety

1 There are to be arrangements to ensure that gas fuel flow to the burner is automatically cut-off, unless satisfactory ignition has been established and maintained.

2 On the pipe of each gas-burner, a manually operated shut-off valve is to be fitted.

3 Provisions are to be made for automatically purging the gas supply piping to the burners, by means of an inert gas, after the extinguishing of these burners.

4 The automatic fuel changeover system required by 16.6.2-3 is to be monitored with alarms to ensure continuous availability.

5 Arrangements are to be made that, in case of flame failure of all operating burners, the combustion chambers of the boilers are automatically purged before relighting.

6 Arrangements are to be made to enable the boilers to be manually purged.

16.7 Special Requirements for Gas-fired Internal Combustion Engines (IGC Code 16.7)

Dual fuel engines are those that employ gas fuel (with pilot oil) and oil fuel. Oil fuels may include distillate and residual fuels. Gas only engines are those that employ gas fuel only.

16.7.1 Arrangements*

1 When gas is supplied in a mixture with air through a common manifold, flame arrestors are to be installed before each cylinder head.

2 Each engine is to have its own separate exhaust.

3 The exhausts are to be configured to prevent any accumulation of unburnt gaseous fuel.

4 Unless designed with the strength to withstand the worst case overpressure due to ignited gas leaks, air inlet manifolds, scavenge spaces, exhaust system and crank cases are to be fitted with suitable pressure relief systems. Pressure relief systems are to lead to a safe location, away from personnel.

5 Each engine is to be fitted with vent systems independent of other engines for crankcases, sumps and cooling systems.

16.7.2 Combustion Equipment

1 Prior to admission of gas fuel, correct operation of the pilot oil injection system on each unit is to be verified.

2 For a spark ignition engine, if ignition has not been detected by the engine monitoring system within an engine specific time after opening of the gas supply valve, this is to be automatically shut off and the starting sequence terminated. It is to be ensured that any unburnt gas mixture is purged from the exhaust system.

3 For dual-fuel engines fitted with a pilot oil injection system, an automatic system is to be fitted to change over from gas fuel operation to oil fuel operation with minimum fluctuation of the engine power.

4 In the case of unstable operation on engines with the arrangement in -3 above when gas firing, the engine is to automatically change to oil fuel mode.

16.7.3 Safety

1 During stopping of the engine, the gas fuel is to be automatically shut off before the ignition source.

2 Arrangements are to be provided to ensure that there is no unburnt gas fuel in the exhaust gas system prior to ignition.

3 Crankcases, sumps, scavenge spaces and cooling system vents are to be provided with gas detection (See 13.6.17).

4 Provision is to be made within the design of the engine to permit continuous monitoring of possible sources of ignition within the crank case. Instrumentation fitted inside the crankcase is to be in accordance with the requirements of Chapter 10 of this Part.

5 A means is to be provided to monitor and detect poor combustion or misfiring that may lead to unburnt gas fuel in the exhaust system during operation. In the event that it is detected, the gas fuel supply is to be shut down. Instrumentation fitted inside the exhaust system is to be in accordance with the requirements of Chapter 10 of this Part.

16.8 Special Requirements for Gas Turbine (IGC Code 16.8)**16.8.1 Arrangements**

1 Each turbine is to have its own separate exhaust

2 The exhausts is to be appropriately configured to prevent any accumulation of unburnt gas fuel.

3 Unless designed with the strength to withstand the worst case overpressure due to ignited gas leaks, pressure relief systems are to be suitably designed and fitted to the exhaust system, taking into consideration explosions due to gas leaks. Pressure relief systems within the exhaust uptakes are to be lead to a non-hazardous location, away from personnel.

16.8.2 Combustion Equipment

An automatic system is to be fitted to change over easily and quickly from gas fuel operation to oil fuel operation with minimum fluctuation of the engine power.

16.8.3 Safety

1 Means are to be provided to monitor and detect poor combustion that may lead to unburnt gas fuel in the exhaust system during operation. In the event that it is detected, the gas fuel supply is to be shut down.

2 Each turbine is to be fitted with an automatic shutdown device for high exhaust temperatures.

16.9 Alternative Fuels and Technologies (IGC Code 16.9)

16.9.1 Alternative Fuels and Technologies

1 If acceptable to the Administration, other cargo gases may be used as fuel, providing that the same level of safety as natural gas in this Part is ensured.

2 The use of cargoes identified as toxic products is not to be permitted.

3 For cargoes other than *LNG*, the fuel supply system is to comply with the requirements of [16.4.1](#), [16.4.2](#), [16.4.3](#) and [16.5](#), as applicable, and is to include means for preventing condensation of vapour in the system.

4 Liquefied gas fuel supply systems are to comply with [16.4.5](#).

5 In addition to the requirements of [16.4.3\(2\)](#), both ventilation inlet and outlet are to be located outside the machinery space. The inlet is to be in a non-hazardous area and the outlet is to be in a safe location.

16.10 Operating Requirements

16.10.1 Application

The provisions in [16.10](#) are not related to surveys necessary for the maintenance of classification but indicate those matters which are to be strictly observed by the shipowner or ship master as well as all other persons responsible for the ship's operation.

16.10.2 Mechanical Ventilation of Fuel Piping (Related to IGC Code 16.4.3)

Mechanical ventilation of pipes or ducts in which fuel piping is installed is to always be in operation when there is fuel in the piping.

16.10.3 Manual Purging of Boilers (Related to IGC Code 16.6.3)

Combustion chambers of boilers are to be manually purged as needed in consideration of the provisions in [16.6.3](#).

Chapter 17 SPECIAL REQUIREMENTS

17.1 General (*IGC Code 17.1*)

17.1.1 Application

The provisions of this Chapter are applicable where reference is made in column “I” in [Table N19.1](#). These are requirements additional to the general requirements of this Part.

17.2 Materials of Construction (*IGC Code 17.2*)

17.2.1 Materials of Construction

Materials which may be exposed to cargo during normal operations are to be resistant to the corrosive action of the gases. In addition, the following materials of construction for cargo tanks, and associated pipelines, valves, fittings and other items of equipment normally in direct contact with the cargo liquid or vapour are not to be used for certain products as specified in column “I” in [Table N19.1](#).

- (1) mercury, copper and copper-bearing alloys, and zinc;
- (2) copper, silver, mercury, magnesium and other acetylide-forming metals;
- (3) aluminium and aluminium-bearing alloys;
- (4) copper, copper alloys, zinc and galvanized steel;
- (5) aluminium, copper and alloys of either;
- (6) copper and copper-bearing alloys with greater than 1% copper.

17.3 Independent Tanks (*IGC Code 17.3*)

17.3.1 Independent Tanks

Products are to be carried in independent tanks only.

17.3.2 Type C Independent Tanks

Products are to be carried in type C independent tanks and the provisions of [7.1.2](#) apply. The design pressure of the cargo tank is to take into account any padding pressure or vapour discharge unloading pressure.

17.4 Refrigeration Systems

17.4.1 Indirect System (*IGC Code 17.4.1*)

Only the indirect system described in [7.3.1\(2\)](#) is to be used.

17.4.2 Carriage of Products Forming Dangerous Peroxides (*IGC Code 17.4.2*)

For a ship engaged in the carriage of products which readily form dangerous peroxides, recondensed cargo is not to be allowed to form stagnant pockets of uninhibited liquid. This may be achieved either by:

- (1) using the indirect system described in [7.3.1\(2\)](#) with the condenser inside the cargo tank; or
- (2) using the direct system or combined system described in [7.3.1\(1\)](#) and [\(3\)](#) respectively, or the indirect system described in [7.3.1\(2\)](#) with the condenser outside the cargo tank, and designing the condensate system to avoid any places in which liquid could collect and be retained. Where this is impossible inhibited liquid is to be added upstream of such a place.

17.4.3 Consecutive of Products (With reference to *IGC Code 17.4.3*)

If the ship is to carry consecutively products as specified in [17.4.2](#) with a ballast passage between. A system for removal of all uninhibited liquid is to be provided. The reliquefaction system is to be of the type capable of draining and purging. The cargo systems are to be able to take practical steps to ensure that polymers or peroxides do not accumulate.

17.5 Cargoes Requiring Type 1G Ship (IGC Code 17.5)**17.5.1 Test of Cargo Piping Connections**

One hundred per cent radiography of all butt welded joints in cargo piping exceeding 75 mm in diameter is to be required.

17.5.2 Gas Sampling

Gas sampling lines is not to be led into or through non-hazardous areas. Alarms referred to in 13.6.2 are to be activated when the vapour concentration reaches the threshold limiting value.

17.5.3 Alternative of Using Portable Equipment

The alternative of using portable gas detection equipment in accordance with 13.6.5 is not to be permitted.

17.5.4 Location of Cargo Control Room

Cargo control rooms are to be located in a non-hazardous area and, additionally, all instrumentation is to be of the indirect type.

17.5.5 Location of Protected Space

Personnel are to be protected against the effects of a major cargo release by the provision of a space within the accommodation area that is designed and equipped to the satisfaction of the Society.

17.5.6 Access to Cargo Area

Notwithstanding the requirements in 3.2.4-3, access to forecabin spaces is not to be permitted through a door facing the cargo area, unless airlock in accordance with 3.6 is provided.

17.5.7 Access to Control Rooms and Machinery Spaces

Notwithstanding the requirements in 3.2.7, access to control rooms and machinery spaces of turret systems is not to be permitted through doors facing the cargo area.

17.6 Exclusion of Air from Vapour Spaces (With reference to IGC Code 17.6)**17.6.1 Exclusion of Air from Vapour Spaces**

System is to be provided to remove air from the cargo tanks and associated piping before loading. The system is to be of type capable of;

- (1) introducing inert gas to maintain a positive pressure. Storage or production capacity of the inert gas is to be sufficient to meet normal operation requirements and relief valve leakage. The oxygen content of inert gas is at no time to be greater than 0.2% by volume; or
- (2) control of cargo temperatures such that a positive pressure is maintained at all times.

17.7 Moisture Control (IGC Code 17.7)**17.7.1 Moisture Control**

For gases which are non-flammable and may become corrosive or react dangerously with water, moisture control is to be provided to ensure that cargo tanks are dry before loading and that during discharge, dry air or cargo vapour is introduced to prevent negative pressures. For the purposes of this paragraph, dry air is air which has a dewpoint of -45°C or below at atmospheric pressure.

17.8 Inhibition (With reference to IGC Code 17.8)**17.8.1 Inhibition**

Ships are to be provided with a certificate from the manufacturer stating;

- (1) name and amount of inhibition added;
- (2) date inhibitor was added and the normally expected duration of its effectiveness;
- (3) any temperature limitations affecting the inhibitor;
- (4) the action to be taken should the length of the voyage exceed the effective lifetime of the inhibitors.

17.9 Flame Screen on Vent Outlets (IGC Code 17.9)**17.9.1 Flame Screen on Vent Outlets**

Cargo tank vent outlets are to be provided with readily renewable and effective flame screens or safety heads of an approved type when carrying a cargo referenced to this Section. Due attention is to be paid in the design of flame screen and vent heads to the possibility of the blockage of these devices by the freezing of cargo vapour or by icing up in adverse weather conditions. Flame screens are to be removed and replaced by protection screens, in accordance with 8.2.15, when carrying cargoes not referenced to this section.

17.10 Maximum Allowable Quantity of Cargo per Tank (With reference to IGC Code 17.10)**17.10.1 Maximum Allowable Quantity of Cargo per Tank**

When carrying a cargo referenced to 17.10, the quantity of the cargo is to be planned not to exceed 3,000 m³ in any one tank.

17.11 Cargo Pumps and Discharge Arrangements (With reference to IGC Code 17.11)**17.11.1 Inerting of Vapour Spaces**

The vapour space of cargo tanks equipped with submerged electric motor pump is to be able to inert to a positive pressure prior to loading, during carriage and during unloading of flammable liquids.

17.11.2 Discharging of Cargo

The cargo is to be discharged only by deepwell pumps or by hydraulically operated submerged pumps. These pumps are to be of a type designed to avoid liquid pressure against the shaft gland.

17.11.3 Inert Gas Displacement for Discharging of Cargo

Inert gas displacement may be used for discharging cargo from type C independent tanks provided the cargo system is designed for the expected pressure.

17.12 Ammonia (IGC Code 17.12)***17.12.1 General**

Anhydrous ammonia may cause stress corrosion cracking in containment and process systems made of carbon manganese steel or nickel steel. To minimize the risk of this occurring, measures detailed in 17.12.2 to 17.12.8 are to be taken as appropriate.

17.12.2 Provisions to Use Carbon Manganese Steel

Where carbon manganese steel is used, cargo tanks, process pressure vessels and cargo piping is to be made of fine grained steel with a specified minimum yield strength not exceeding 355 N/mm² and with an actual yield strength not exceeding 440 N/mm². One of the following constructional or operational measures is also to be taken:

- (1) lower strength material with a specified minimum tensile strength not exceeding 410 N/mm² is to be used; or
- (2) cargo tanks, etc., are to be post weld stress relief heat treated; or
- (3) carriage temperature is to be maintained preferably at a temperature close to the product's boiling point of -33°C but in no case at a temperature above -20°C; or
- (4) the ammonia is to contain not less than 0.1% w/w water.

17.12.3 Heat Treatment for Carbon Manganese Steels with Higher Yield Properties

If carbon manganese steels with higher yield properties are used other than those specified in 17.12.2, the completed cargo tanks, piping, etc. are to be given a post weld stress relief heat treatment.

17.12.4 Heat Treatment for Process Pressure Vessels

Process pressure vessels and piping of the condensate part of the refrigeration system are to be given a post-weld stress relief heat treatment when made of materials mentioned in 17.12.1.

17.12.5 Mechanical Properties of the Welding Consumables

The tensile and yield properties of the welding consumables are to exceed those of the tank or piping material by the smallest

practical amount.

17.12.6 Unsuitable Materials to Use

Nickel steel containing more than 5% nickel and carbon manganese steel not complying with the requirements of 17.12.2 and 17.12.3 are particularly susceptible to ammonia stress corrosion cracking and are not to be used for containment and piping systems for the carriage of this product.

17.12.7 Provisions to Use Nickel Steel Containing not more than 5% Nickel

Nickel steel containing not more than 5% nickel may be used provided the carriage temperature complies with the requirements specified in 17.12.2(3).

17.12.8 Dissolved Oxygen Content

In order to minimize the risk of ammonia stress corrosion cracking, it is advisable to keep the dissolved oxygen content below 2.5 ppmw/w. This can best be achieved by reducing the average oxygen content in the tanks prior to the introduction of liquid ammonia to less than the values given as a function of the carriage temperature T in the Table N17.1.

Table N17.1

T (°C)	O_2 (%v/v)
-30 and below	0.90
-20	0.50
-10	0.28
0	0.16
10	0.10
20	0.05
30	0.03

Note:

Oxygen percentages for intermediate temperatures may be obtained by direct interpolation.

17.13 Chlorine

17.13.1 Cargo Containment System (With reference to IGC Code 17.13.1)

- 1 The capacity of each tank is not to exceed 600 m³ and the total capacity of all cargo tank is not to exceed 1,200 m³
- 2 The tank design vapour pressure is not to be less than 1.35 MPa (See also 7.1.2 and 17.3.2).
- 3 Parts of tanks protruding above the upper deck are to be provided with protection against thermal radiation taking into account total engulfment by fire.
- 4 Each tank is to be provided with two pressure relief valves. A bursting disc of appropriate material is to be installed between the tank and the pressure relief valves. The rupture pressure of the bursting disc is to be 0.1 MPa lower than the opening pressure of the pressure relief valve, which is to be set at the design vapour pressure of the tank but not less than 1.35 MPa gauge. The space between the bursting disc and the relief valve is to be connected through an excess flow valve to a pressure gauge and a gas detection system. Provision is to be made to keep this space at or near the atmospheric pressure during normal operation.

5 Outlets from pressure relief valves are to be arranged in such a way as to minimize the hazards on board the ship as well as to the environment. Leakage from the relief valves is to be led through the absorption plant to reduce the gas concentration as far as possible. The relief valve exhaust line is to be arranged at the forward end of the ship to discharge outboard at deck level with an arrangement to select either port or starboard side, with a mechanical interlock to ensure that one line is always open.

17.13.2 Cargo Piping Systems (IGC Code 17.13.2)

1 Cargo discharge is to be performed by means of compressed chlorine vapour from shore, dry air or another acceptable gas or fully submerged pumps. Cargo discharge compressors on board ships are not to be used for this. The pressure in the vapour space of the tank during discharging is not to exceed 1.05 MPa gauge.

2 The design pressure of the cargo piping system is to be not less than 2.1 MPa gauge. The internal diameter of the cargo pipes is not to exceed 100 mm. Only pipe bends are to be accepted for compensation of pipeline thermal movement. The use of flanged joints is to be restricted to a minimum, and when used the flanges to be of the welding neck type with tongue and groove.

3 Relief valves of the cargo piping system are to discharge to the absorption plant, and the flow restriction created by this unit is to be taken into account when designing the relief valve system (see 8.4.3 and 8.4.4).

17.13.3 Materials (IGC Code 17.13.3)

1 The cargo tanks and cargo piping systems are to be made of steel suitable for the cargo and for a temperature of -40°C, even if a higher transport temperature is intended to be used.

2 The tanks are to be thermally stress relieved. Mechanical stress relief is not to be accepted as an equivalent.

17.13.4 Instrumentation, Safety Devices (With reference to IGC Code 17.13.4)

1 The ship is to be provided with a chlorine absorbing plant with connections to the cargo piping system and the cargo tanks. The absorbing plant is to be capable of neutralizing at least 2% of the total cargo capacity at a reasonable absorption rate.

2 The gas-freeing system of cargo tanks is not to be of the type discharging vapours to the atmosphere.

3 A gas detecting system is to be provided capable of monitoring chlorine concentrations of at least 1 ppm by volume. Sample points are to be located:

The gas detection system is to be provided with an audible and visual alarm with a set point of 5 ppm.

(1) near the bottom of the hold spaces;

(2) in the pipes from the safety relief valves;

(3) at the outlet from the gas absorbing plant;

(4) at the inlet to the ventilation systems for the accommodation, service and machinery spaces and control stations;

(5) on deck at the forward end, in the middle and at the after end of the cargo area. This is only required to be used during cargo handling and gasfreeing operations.

4 Each cargo tank is to be fitted with a high-pressure alarm giving an audible alarm at a pressure equal to 1.05 MPa gauge.

17.13.5 Personnel Protection (IGC Code 17.13.5.1)

1 The space required by 17.5.5 is to be easily and quickly accessible from the weather deck and from accommodation spaces by means of air locks, and is to be capable of being rapidly closed gastight.

2 One of the decontamination showers required by 14.4.3 is to be located near the weather deck airlock to the space.

3 The space referred to in -1 is to be so designed as to accommodate the entire crew of the ship and to be provided with a source of uncontaminated air for a period of not less than 4 hours.

4 One set of oxygen therapy equipment is to be carried in the refuge space referred to in -1.

17.13.6 Filling Limits for Cargo Tanks (With reference to IGC Code 17.13.6)

1 The requirements of 15.1.3(2) do not apply when it is intended to carry chlorine.

2 An instrument for the measurement of chlorine content of the gas in the vapour space of the cargo tank is to be provided on board.

17.14 Ethylene Oxide

17.14.1 Application (IGC Code 17.14.1)

For the carriage of ethylene oxide the requirements of 17.18 apply, with the additions and modifications as given in this section.

17.14.2 Use of Deck Tanks (With reference to IGC Code 17.14.2)

Tanks carrying ethylene oxide are not to be located on the deck.

17.14.3 Materials (IGC Code 17.14.3)

Stainless steel type 416 and 442 as well as cast iron are not to be used in ethylene oxide cargo containment and piping systems.

17.14.4 Cleaning of Tanks (With reference to IGC Code 17.14.4)

A cleaning system is to be provided to remove all traces of previous cargoes from tanks and associated pipework before loading.

17.14.5 Discharging (IGC Code 17.14.5)

Ethylene oxide is to be discharged only by deepwell pumps or inert gas displacement. The arrangement of pumps is to comply with 17.18.5.

17.14.6 Temperature Control (With reference to IGC Code 17.14.6)

A refrigerating system is to be provided to maintain ethylene oxide at temperatures of less than 30°C.

17.14.7 Set Pressure of Relief Valves (IGC Code 17.14.7)

Pressure relief valves are to be set at a pressure of not less than 0.55 MPa gauge. The maximum set pressure is to be specially approved by the Society.

17.14.8 Nitrogen Concentration in the Vapour Space (with reference to IGC Code 17.14.8)

System of the protective padding of nitrogen gas as required by 17.18.14 is to be such that the nitrogen concentration in the vapour space of the cargo tank will at not time be less than 45% by volume.

17.14.9 Inerting of Cargo Tanks (With reference to IGC Code 17.14.9)

A system is to be provided to inert the cargo tanks with nitrogen.

17.14.10 Operation of Water Spray System (IGC Code 17.14.10)

The water spray system required by 17.18.16 and that required by 11.3 is to operate automatically in a fire involving the cargo containment system.

17.14.11 Emergency Jettisoning Arrangement (IGC Code 17.14.11)

A jettisoning arrangement is to be provided to allow the emergency discharge of ethylene oxide in the event of uncontrollable self-reaction.

17.15 Separate Piping Systems**17.15.1 Separation of Piping Systems (IGC Code 17.15)**

Separate piping systems, as defined in 1.1.4(43), are to be provided.

17.16 Methyl Acetylene-propadiene Mixtures**17.16.1 Stabilization for Transport (With reference to IGC Code 17.16.1)**

The requirements in 17.16 are applicable to methyl acetylene-propadiene mixtures that are suitably stabilized for transport.

17.16.2 Examples of Acceptable Stabilized Compositions (IGC Code 17.16.2)**1 Composition 1**

- (1) maximum methyl acetylene to propadiene molar ratio of 3 to 1;
- (2) maximum combined concentration of methyl acetylene and propadiene of 65 mol per cent;
- (3) minimum combined concentration of propane, butane, and isobutane of 24 mol per cent, of which at least one third (on a molar basis) must be butanes and one third propane; and
- (4) maximum combined concentration of propylene and butadiene of 10 mol per cent.

2 Composition 2

- (1) maximum methyl acetylene and propadiene combined concentration of 30 mol per cent;
- (2) maximum methyl acetylene concentration of 20 mol per cent;
- (3) maximum propadiene concentration of 20 mol per cent;
- (4) maximum propylene concentration of 45 mol per cent;
- (5) maximum butadiene and butylenes combined concentration of 2 mol per cent;
- (6) minimum saturated C₄ hydrocarbon concentration of 4 mol per cent; and
- (7) minimum propane concentration of 25 mol per cent.

17.16.3 Other Compositions (With reference to IGC Code 17.16.3)

A ship carrying other compositions than those specified in 17.16.2 is to be to the satisfaction of the Society.

17.16.4 Refrigeration System (IGC Code 17.16.4)

If a ship has a direct vapour compression refrigeration system, this is to comply with the following requirements, subject to pressure and temperature limitations depending on the composition. For the example compositions given in 17.16.2, the following features are to be provided:

- (1) A vapour compressor that does not raise the temperature and pressure of the vapour above 60°C and 1.75 MPa gauge during its operation, and that does not allow vapour to stagnate in the compressor while it continues to run.
- (2) Discharge piping from each compressor stage or each cylinder in the same stage of a reciprocating compressor is to have:

- (a) two temperature-actuated shutdown switches set to operate at 60°C or less;
 - (b) a pressure-actuated shutdown switch set to operate at 1.75 MPa gauge or less; and
 - (c) a safety relief valve set to relieve at 1.8 MPa gauge or less.
- (3) The relief valve required by (2)(c) is to vent to a mast meeting the requirements of 8.2.10, 8.2.11 and 8.2.15 and is not to relieve into the compressor suction line.
- (4) An alarm that sounds in the cargo control position and in the navigating bridge when a high-pressure switch, or a high-temperature switch operates.

17.16.5 Segregation of Piping Systems (IGC Code 17.16.5)

The piping system, including the cargo refrigeration system, for tanks to be loaded with methyl acetylene-propadiene mixtures is to be either independent (as defined in 1.1.4(27)) or separate (as defined in 1.1.4(43)) from piping and refrigeration systems for other tanks. This segregation applies to all liquid and vapour vent lines and any other possible connections, such as common inert gas supply lines.

17.17 Nitrogen

17.17.1 Effect of High Oxygen Concentrations (IGC Code 17.17)

Materials of construction and ancillary equipment such as insulation are to be resistant to the effects of high oxygen concentrations caused by condensation and enrichment at the low temperatures attained in parts of the cargo system. Due consideration is to be given to ventilation in such areas where condensation might occur to avoid the stratification of oxygen-enriched atmosphere.

17.18 Propylene Oxide and Mixtures of Ethylene Oxide-propylene Oxide with Ethylene Oxide Content of not more than 30% by Weight

17.18.1 General (With reference to IGC Code 17.18.1)

The provisions of 17.18 are applicable to acetylene-free products.

17.18.2 Cargo Tanks

1 (with reference to IGC Code 17.18.3)

A system is to be provided for thoroughly and effectively cleaning to remove all traces of previous cargoes from tanks associated pipework.

2 (with reference to IGC Code 17.18.4)

Tanks and associated pipework are to be able to be checked the effectiveness of cleaning products by suitable testing or inspection to ascertain that no traces of acidic or alkaline materials remain that might create a hazardous situation in the presence of these products.

3 (with reference to IGC Code 17.18.5)

Tanks are to be of the one capable of entering and inspecting to ensure freedom from contamination, heavy rust deposits and any visible structural defects.

4 (IGC Code 17.18.6)

Tanks for the carriage of these products are to be of steel or stainless steel construction.

5 (with reference to IGC Code 17.18.7)

A cleaning system is to be provided for tanks and associated pipework are to be provided with cleaning system for loading other cargoes.

17.18.3 Valves, Flanges, Fittings, etc. (IGC Code 17.18.8 to 11)

1 All valves, flanges, fittings and accessory equipment are to be of a type suitable for use with these products and are to be constructed of steel or stainless acceptable to the Society. Discs or disc faces, seats and other wearing parts of valves are to be made of stainless steel containing not less than 11% chromium.

2 Gaskets are to be constructed of materials which do not react with, dissolve in, or lower the autoignition temperature of these products and which are fire-resistant and possess adequate mechanical behaviour. The surface presented to the cargo is to be polytetrafluoroethylene (PTFE) or materials giving a similar degree of safety by their inertness. Spirally-wound stainless steel with a filler of PTFE or similar fluorinated polymer may be accepted by the Society.

3 Insulation and packing if used are to be of a material which does not react with, dissolve in, or lower the autoignition temperature of these products.

4 The following materials are generally found unsatisfactory for gaskets, packing and similar uses in containment systems for these products and would require testing before being approved by the Society:

- (1) Neoprene or natural rubber if it comes into contact with the products;
- (2) Asbestos or binders used with asbestos;
- (3) Materials containing oxides of magnesium, such as mineral wools.

17.18.4 Filling and Discharge Piping (IGC Code 17.18.12)

Filling and discharge piping is to extend to within 100 mm of the bottom of the tank or any sump.

17.18.5 Loading and Discharging of Products (With reference to IGC Code 17.18.13 to 15)

1 Loading and discharging systems are to be of such that venting of the tanks to atmosphere does not occur. If vapour return to shore is used during tank loading, the vapour return system connected to a containment system for the product is to be independent of all other containment systems.

2 A system is to be provided to maintain the pressure in the cargo tank above 0.007 MPa gauge.

3 The cargo is to be discharged only by deepwell pumps, hydraulically operated submerged pumps, or inert gas displacement. Each cargo pump is to be arranged to ensure that the product does not heat significantly if the discharge line from the pump is shut off or otherwise blocked.

17.18.6 Ventilation of Cargo Tanks (IGC Code 17.18.16)

Tanks carrying these products are to be vented independently of tanks carrying other products. Facilities are to be provided for sampling the tank contents without opening the tank to atmosphere.

17.18.7 Cargo Hoses (IGC Code 17.18.17)

Cargo Hoses used for transfer of these products are to be marked "FOR ALKYLENE OXIDE TRANSFER ONLY"

17.18.8 Monitoring of Hold Spaces (IGC Code 17.18.18)

Hold spaces are to be monitored for these products. Hold spaces surrounding type A and B independent tanks are also to be inerted and monitored for oxygen. The oxygen content of these spaces is to be maintained below 2% by volume. Portable sampling equipment is satisfactory.

17.18.9 Disconnection of Shorelines (IGC Code 17.18.19)

Prior to disconnecting shore-lines, the pressure in liquid and vapour lines is to be relieved through suitable valves installed at the loading header. Liquid and vapour from these lines are not to be discharged to atmosphere.

17.18.10 Maximum Design Pressure of Cargo Tanks (IGC Code 17.18.20)

Tanks are to be designed for the maximum pressure expected to be encountered during loading, carriage or unloading of cargo.

17.18.11 Design Vapour Pressure (IGC Code 17.18.21)

Tanks for the carriage of propylene oxide with a design vapour pressure of less than 0.06 MPa and tanks for the carriage of ethylene oxide-propylene oxide mixtures with a design vapour pressure of less than 0.12 MPa are to have a cooling system to maintain the cargo below the reference temperature. For reference temperature see [15.1.3](#).

17.18.12 Set Pressure of Pressure Relief Valves (IGC Code 17.18.22)

Pressure relief valve settings are not to be less than 0.02 MPa gauge and for type C independent cargo tanks not greater than 0.7 MPa gauge for the carriage of propylene oxide and not greater than 0.53 MPa gauge for the carriage of ethylene oxide-propylene oxide mixtures.

17.18.13 Separation of Cargo Piping Systems

1 (with reference to IGC Code 17.18.23)

The piping system for tanks to be loaded with these products is to be completely separate from piping systems for all other tanks, including empty tanks, and from all cargo compressors. If the piping system for the tanks to be loaded with these products is not independent the required piping separation is to be accomplished by the removal of spool pieces, valves, or other pipe sections and the installation of blank flanges at these locations. The required separation applies to all liquid and vapour piping, liquid and vapour vent lines and any other possible connections such as common inert gas supply lines.

2 (with reference to IGC Code 17.18.24)

Approved cargo handling plans are to be provided on board the ship.

17.18.14 Padding of Nitrogen Gas (With reference to IGC Code 17.18.27)*

An automatic nitrogen make-up system is to be installed to prevent the tank pressure falling below 0.007 MPa gauge in the event of product temperature fall due to ambient conditions or malfunctioning of refrigeration system. Sufficient nitrogen is to be available on board to satisfy the demand of the automatic pressure control. Nitrogen of commercially pure quality (99.9% by volume) is to be used for padding. A battery of nitrogen bottles connected to the cargo tanks through a pressure reduction valve satisfies the intention of the expression "automatic" in this context.

17.18.15 Oxygen Content of Vapour Space (With reference to IGC Code 17.18.28)

Means for testing the cargo tank vapour space is to be provided to ensure that the oxygen content is 2% by volume or less.

17.18.16 Water Spray System (With reference to IGC Code 17.18.29 to 31)

1 A water spray system of sufficient capacity is to be provided to blanket effectively the area surrounding the loading manifold, the exposed deck piping associated with product handling and the tank domes. The arrangement of piping and nozzles is to be such as to give a uniform distribution rate of 10 l/m² per minute. The arrangement is to ensure that any spilled cargo is washed away.

2 The water spray system is to be capable of local and remote manual operation in case of a fire involving the cargo containment system. Remote manual operation are to be arranged such that remote starting of pumps supplying water spray system and remote operation of any normally closed valves in the system can be carried out from a suitable location outside the cargo area, adjacent to the accommodation spaces and readily accessible and operable in the event of fire in the areas protected.

17.19 Vinyl Chloride (With reference to IGC Code 17.19)**17.19.1 Consideration for Carriage of Product**

In cases where polymerization of vinyl chloride is prevented by addition of an inhibitor, 17.8 is applicable. In cases where no inhibitor has been added, or the inhibitor concentration is insufficient, any inert gas used for the purposes of 17.6 is to contain not more oxygen than 0.1% by volume. A system is to be provided to analyse inert gas samples from the tanks and piping before loading is started. When vinyl chloride is carried, a positive pressure is always to be maintained in the tanks and during ballast voyages between successive carriages.

17.20 Mixed C4 Cargoes (With reference to IGC Code 17.20)**17.20.1 Carriage of Mixed Cargoes**

Cargoes that may be carried individually under the requirements of this Rule, notably butane, butylenes and butadiene, may be carried as mixtures subject to the provisions of this section. These cargoes may variously be referred to as "Crude C4", "Crude butadiene", "Crude steam-cracked C4", "Spent steam-cracked C4", "C4 stream", "C4 raffinate", or may be shipped under a different description. In all cases, the material safety data sheets (MSDS) are to be consulted as the butadiene content of the mixture is of prime concern as it is potentially toxic and reactive. While it is recognized that butadiene has a relatively low vapour pressure, if such mixtures contain butadiene they are to be regarded as toxic and the appropriate precautions applied.

17.20.2 Application of Inhibitor

If the mixed C4 cargo shipped under the terms of this section contains more than 50% (mole) of butadiene, the inhibitor precautions in 17.8 are to apply.

17.20.3 Liquid Expansion Coefficient of Mixed Cargoes

Unless specific data on liquid expansion coefficients is given for the specific mixture loaded, the filling limit restrictions of Chapter 15 of this Part are to be calculated as if the cargo contained 100% concentration of the component with the highest expansion ratio.

17.21 Carbon Dioxide: High Purity (With reference to IGC Code 17.21)**17.21.1 Triple Point**

The set pressure for the alarms and automatic actions described in this section are to be set to at least 0.05 MPa above the triple point for the specific cargo being carried. The "triple point" for pure carbon dioxide occurs at 0.5 MPa gauge and -54.4°C.

17.21.2 Relief Valve

There is a potential for the cargo to solidify in the event that a cargo tank relief valve, fitted in accordance with 8.2, fails in the open position. To avoid this, a means of isolating the cargo tank safety valves is to be provided and the requirements of 8.2.9(2) do not apply when carrying this carbon dioxide. Discharge piping from safety relief valves is to be designed so they remain free from obstructions that could cause clogging. Protective screens are not to be fitted to the outlets of relief valve discharge piping, so the requirements of 8.2.15 do not apply.

17.21.3 Discharge Piping

Discharge piping from safety relief valves are not required to comply with 8.2.10, but is to be designed so they remain free from obstructions that could cause clogging. Protective screens are not to be fitted to the outlets of relief valve discharge piping, so the requirements of 8.2.15 do not apply.

17.21.4 Pressure Monitoring

Cargo tanks are to be continuously monitored for low pressure when a carbon dioxide cargo is carried. An audible and visual alarm is to be given at the cargo control position and on the bridge. If the cargo tank pressure continues to fall to within 0.05 MPa of the "triple point" for the particular cargo, the monitoring system is to automatically close all cargo manifold liquid and vapour valves and stop all cargo compressors and cargo pumps. The emergency shutdown system required by 18.3 may be used for this purpose.

17.21.5 Materials for Cargo Tank and Cargo Piping System

All materials used in cargo tanks and cargo piping system are to be suitable for the lowest temperature that may occur in service, which is defined as the saturation temperature of the carbon dioxide cargo at the set pressure of the automatic safety system described in 17.21.1.

17.21.6 Continuous Monitoring

Cargo hold spaces, cargo compressor rooms and other enclosed spaces where carbon dioxide could accumulate are to be fitted with continuous monitoring for carbon dioxide build-up. This fixed gas detection system replaces the requirements of 13.6, and hold spaces are to be monitored permanently even if the ship has type C cargo containment.

17.22 Carbon Dioxide: Reclaimed Quality**17.22.1 Carbon Dioxide: Reclaimed Quality (With reference to IGC Code 17.22)**

The requirements of 17.21 also apply to this cargo. In addition, the materials of construction used in the cargo system are also to take account of the possibility of corrosion, in case the reclaimed quality carbon dioxide cargo contains impurities such as water, sulphur dioxide, etc., which can cause acidic corrosion or other problems.

17.23 Operating Requirements**17.23.1 Application**

The provisions in 17.23 are not related to surveys necessary for the maintenance of classification, but indicate those matters which are to be strictly observed by the shipowner or the ship master as well as all other persons responsible for the ship's operation.

17.23.2 Refrigeration Systems (With reference to IGC Code 17.4.3)

If the ship is to carry consecutively products as specified in 17.4.2 with a ballast passage between, all uninhibited liquid is to be removed prior to the ballast voyage. If a second cargo is to be carried between such consecutive cargoes, the reliquefaction system is to be thoroughly drained and purged before loading the second cargo. Purging is to be carried out using either inert gas or vapour from the second cargo, if compatible. Practical steps are to be taken to ensure that polymers or peroxides do not accumulate in the cargo system.

17.23.3 Exclusion of Air from Vapour Spaces (With reference to IGC Code 17.6)

Air is to be removed from the cargo tanks and associated piping before loading and then subsequently excluded by:

- (1) introducing inert gas to maintain a positive pressure. The inert gas is to be in accordance with 17.6.1(1).
- (2) control of cargo temperatures such that a positive pressure is maintained at all times.

17.23.4 Inhibition (With reference to IGC Code 17.8)

Care is to be taken to ensure that the cargo is sufficiently inhibited to prevent self-reaction (e.g. polymerization or

dimerization) at all times during the voyage. Ships are to be provided with a certificate specified in 17.8.1.

17.23.5 Flame Screens on Vent Outlets (With reference to IGC Code 17.9)

Flame screens are to be removed and replaced by protection screens, in accordance with 8.2.15, when carrying cargoes not referenced to 17.9.

17.23.6 Maximum Allowable Quantity of Cargo per Tank (IGC Code 17.10)

When carrying a cargo referenced to 17.10, the quantity of the cargo is not to exceed 3,000 m³ in any one tank.

17.23.7 Cargo Pumps and Discharge Arrangements (IGC Code 17.11)

The vapour space of cargo tanks equipped with submerged electric motor pumps is to be inerted to a positive pressure prior to loading, during carriage and during unloading of flammable liquids.

17.23.8 Ammonia (With reference to IGC Code 17.12)

1 Liquid ammonia is never to be sprayed into a tank containing air as there is a risk of creating a static electrical charge which could cause ignition.

2 To minimize the risk of stress corrosion cracking occurring when ammonia is carried at a temperature above -20°C (vapour pressure 0.19 MPa), the oxygen content of the vapour space in pressure vessels and in pipelines made of carbon-manganese steel (and other steels which require special consideration) is to be reduced to the minimum practicable before liquid ammonia is introduced.

3 The master is to be provided with documentation confirming 17.12.2(4).

17.23.9 Chlorine

1 (with reference to IGC Code 17.13.1.6)

The Administration and the port Administration may require that chlorine is carried in refrigerated state at a specified maximum pressure.

2 (with reference to IGC Code 17.13.4.2)

During the gas-freeing of cargo tanks, vapours are not to be discharged to the atmosphere.

3 (IGC Code 17.13.6.2)

The chlorine content of the gas in the vapour space of the cargo tank after loading is to be greater than 80% by volume.

17.23.10 Ethylene Oxide

1 (IGC Code 17.14.2)

Deck tanks are not to be used for the carriage of ethylene oxide.

2 (IGC Code 17.14.4)

Before loading, tanks are to be thoroughly and effectively cleaned to remove all traces of previous cargoes from tanks and associated pipework, except where the immediate prior cargo has been ethylene oxide, propylene oxide or mixtures of these products. Particular care is to be taken in the case of ammonia in tanks made of steel other than stainless steel.

3 (IGC Code 17.14.8)

The protective padding of nitrogen gas as required by 17.18.14 is to be such that the nitrogen concentration in the vapour space of the cargo tank will at no time be less than 45% by volume.

4 (IGC Code 17.14.9)

Before loading and at all times when the cargo tank contains ethylene oxide liquid or vapour, the cargo tank is to be inerted with nitrogen.

17.23.11 Methyl Acetylene-propadiene Mixtures

1 (IGC Code 17.16.1)

Methyl acetylene-propadiene mixtures are to be suitably stabilized for transport. Additionally, upper limits of temperature and pressure during the refrigeration are to be specified for the mixtures.

2 (IGC Code 17.16.3)

Other compositions may be accepted provided the stability of the mixture is demonstrated to the satisfaction of the Administration.

17.23.12 Propylene Oxide and Mixtures of Ethylene Oxide-propylene Oxide with Ethylene Oxide Content of not more than 30% by Weight (With reference to IGC Code 17.18)

1 (IGC Code 17.18.1)

Products transported under the provisions of 17.18 are to be acetylene-free.

2 (IGC Code 17.18.2)

Unless cargo tanks are properly cleaned, these products are not to be carried in tanks which have contained as one of the three previous cargoes any product known to catalyse polymerization, such as:

- (1) anhydrous ammonia and ammonia solutions;
- (2) amines and amine solutions;
- (3) oxidizing substances (e.g. chlorine).

3 (IGC Code 17.18.3)

Before loading, tanks are to be thoroughly and effectively cleaned to remove all traces of previous cargoes from tanks and associated pipework, except where the immediate prior cargo has been propylene oxide or ethylene oxidepropylene oxide mixtures. Particular care is to be taken in the case of ammonia in tanks made of steel other than stainless steel.

4 (IGC Code 17.18.4)

In all cases, the effectiveness of cleaning procedures for tanks and associated pipework is to be checked by suitable testing or inspection to ascertain that no traces of acidic or alkaline materials remain that might create a hazardous situation in the presence of these products.

5 (IGC Code 17.18.5)

Tanks are to be entered and inspected prior to each initial loading of these products to ensure freedom from contamination, heavy rust deposits and any visible structural defects. When cargo tanks are in continuous service for these products, such inspections are to be performed at intervals of not more than 2 years.

6 (IGC Code 17.18.7)

Tanks which have contained these products may be used for other cargoes after thorough cleaning of tanks and associated pipework systems by washing or purging.

7 (with reference to IGC Code 17.18.13)

The products are to be loaded and discharged in such a manner that venting of the tanks to atmosphere does not occur.

8 (IGC Code 17.18.14)

During discharging operations, the pressure in the cargo tank is to be maintained above 0.007 MPa gauge.

9 (IGC Code 17.18.15)

The cargo is to be discharged only by deepwell pumps, hydraulically operated submerged pumps, or inert gas displacement. Each cargo pump is to be arranged to ensure that the product does not heat significantly if the discharge line from the pump is shut off or otherwise blocked.

10 (IGC Code 17.18.24)

The products referred to **17.18** are to be transported only in accordance with cargo handling plans that have been approved by the Administration. Each intended loading arrangement is to be shown on a separate cargo handling plan. Cargo handling plans are to show the entire cargo piping system and the locations for installation of blank flanges needed to meet the above piping separation requirements. A copy of each approved cargo handling plan is to be kept on board the ship. The international Certificate of Fitness for the Carriage of Liquefied Gases in Bulk is to be endorsed to include reference to the approved cargo handling plans.

11 (IGC Code 17.18.25)

Before each initial loading of these product and before every subsequent return to such service, certification verifying that the required piping separation has been achieved is to be obtained from a responsible person acceptable to the port Administration and carried on board the ship. Each connection between a blank flange and pipeline flange is to be fitted with a wire and seal by the responsible person to ensure that inadvertent removal of the blank flange is impossible.

12 (IGC Code 17.18.26)

The maximum allowable loading limits for each tank are to be indicated for each loading temperature which may be applied, in accordance with **15.5**.

13 (with reference to IGC Code 17.18.27)

The cargo is to be carried under a suitable protective padding of nitrogen gas.

14 (IGC Code 17.18.28)

The cargo tank vapour space is to be tested prior to and after loading to ensure that the oxygen content is 2% by volume or less.

15 (with reference to IGC Code 17.18.29)

In addition to [17.18.5](#), a water hose with pressure to the nozzle, when ambient temperatures permit, is to be connected ready for immediate use during loading and unloading operations.

17.23.13 Vinyl Chloride (IGC Code 17.19)

In cases where polymerization of vinyl chloride is prevented by addition of an inhibitor, [17.8](#) is applicable. In cases where no inhibitor has been added, or the inhibitor concentration is insufficient, any inert gas used for the purposes of [17.6](#) is to contain not more oxygen than 0.1% by volume. Before loading is started, inert gas samples from the tanks and piping are to be analysed. When vinyl chloride is carried, a positive pressure is always to be maintained in the tanks and during ballast voyages between successive carriages.

17.23.14 Carbon Dioxide: High Purity

Uncontrolled pressure loss from the cargo can cause “sublimation” and the cargo will change from the liquid to the solid state. The precise “triple point” temperature of a particular carbon dioxide cargo is to be supplied before loading the cargo, and will depend on the purity of that cargo, and this is to be taken into account when cargo instrumentation is adjusted.

17.23.15 Carbon dioxide: Reclaimed Quality

The requirements of [17.23.14](#) also apply to this cargo.

Chapter 18 OPERATING REQUIREMENTS

18.1 General (*IGC Code 18.1*)

18.1.1 General

1 Those involved in liquefied gas carrier operations are to be made aware of the special requirements associated with, and precautions necessary for, their safe operation.

2 A copy of *IGC Code*, or national regulations incorporating the provisions of *IGC Code*, are to be on board every ship covered by this Part.

18.2 Cargo Operations Manuals (*IGC Code 18.2*)

18.2.1 Cargo Operations Manuals

1 The ship is to be provided with copies of suitably detailed cargo system operation manuals approved by the Society such that trained personnel can safely operate the ship with due regard to the hazards and properties of the cargoes that are permitted to be carried.

2 The content of the manuals is to include, but not be limited to:

- (1) overall operation of the ship from dry-dock to dry-dock, including procedures for cargo tank cooldown and warm-up, transfer (including ship-to-ship transfer), cargo sampling, gas-freeing, ballasting, tank cleaning and changing cargoes;
- (2) cargo temperature and pressure control systems;
- (3) cargo system limitations, including minimum temperatures (cargo system and inner hull), maximum pressures, transfer rates, filling limits and sloshing limitations;
- (4) nitrogen and inert gas systems;
- (5) firefighting procedures: operation and maintenance of firefighting systems and use of extinguishing agents;
- (6) special equipment needed for the safe handling of the particular cargo;
- (7) fixed and portable gas detection;
- (8) control, alarm and safety systems;
- (9) emergency shutdown systems;
- (10) procedures to change cargo tank pressure relief valve set pressures in accordance with 8.2.8 and 4.13.2-3; and
- (11) emergency procedures, including cargo tank relief valve isolation, single tank gas-freeing and entry and emergency ship-to-ship transfer operations.

18.3 Cargo Emergency Shutdown (*ESD*) System (*IGC Code 18.10*)

18.3.1 Cargo Emergency Shutdown (*ESD*) System*

1 General

- (1) A cargo emergency shutdown system is to be fitted to stop cargo flow in the event of an emergency, either internally within the ship, or during cargo transfer to ship or shore. The design of the *ESD* system is to avoid the potential generation of surge pressures within cargo transfer pipe work (see -2(1)(d)).
- (2) Auxiliary systems for conditioning the cargo that use toxic or flammable liquids or vapours are to be treated as cargo systems for the purposes of *ESD*. Indirect refrigeration systems using an inert medium, such as nitrogen, need not be included in the *ESD* function.
- (3) The *ESD* system is to be activated by the manual and automatic initiations listed in Table N18.1. Any additional initiations are only to be included in the *ESD* system if it can be shown that their inclusion does not reduce the integrity and reliability of the system overall.
- (4) Ship's *ESD* systems are to incorporate a ship-shore link in accordance with recognized standards.

- (5) A functional flow chart of the *ESD* system and related systems is to be provided in the cargo control station and on the navigation bridge.

2 *ESD* valve requirements

(1) General

- (a) The term *ESD* valve means any valve operated by the *ESD* system.
- (b) *ESD* valves are to be remotely operated, be of the fail-closed type (closed on loss of actuating power), be capable of local manual closure and have positive indication of the actual valve position. As an alternative to the local manual closing of the *ESD* valve, a manually operated shut-off valve in series with the *ESD* valve is to be permitted. The manual valve is to be located adjacent to the *ESD* valve. Provisions are to be made to handle trapped liquid should the *ESD* valve close while the manual valve is also closed.
- (c) *ESD* valves in liquid piping systems are to close fully and smoothly within 30 *seconds* of actuation. Information about the closure time of the valves and their operating characteristics is to be available on board, and the closing time is to be verifiable and repeatable.
- (d) The closing time of the valve referred to in **13.3.1** to **13.3.3** (i.e. time from shutdown signal initiation to complete valve closure) is not to be greater than:

$$\frac{3600U}{L_R}(\textit{second})$$

where:

U: ullage volume at operating signal level (m^3);

L_R : maximum loading rate agreed between ship and shore facility (m^3/h).

The loading rate is to be adjusted to limit surge pressure on valve closure to an acceptable level, taking into account the loading hose or arm, the ship and the shore piping systems, where relevant.

(2) Ship-shore and ship-ship manifold connections

One *ESD* valve is to be provided at each manifold connection. Cargo manifold connections not being used for transfer operations are to be blanked with blank flanges rated for the design pressure of the pipeline system.

(3) Cargo system valves

If cargo system valves as defined in section **5.5** are also *ESD* valves within the meaning of **18.3.1**, then the requirements of **18.3.1** are to apply.

3 *ESD* system controls

- (1) As a minimum, the *ESD* system is to be capable of manual operation by a single control on the bridge and either in the control position required by **13.1.2** or the cargo control room, if installed, and no less than two locations in the cargo area.
- (2) The *ESD* system is to be automatically activated on detection of a fire on the weather decks of the cargo area and/or cargo machinery spaces. As a minimum, the method of detection used on the weather decks is to cover the liquid and vapour domes of the cargo tanks, the cargo manifolds and areas where liquid piping is dismantled regularly. Detection may be by means of fusible elements designed to melt at temperatures between 98°C and 104°C, or by area fire detection methods.
- (3) Cargo machinery that is running is to be stopped by activation of the *ESD* system in accordance with the cause and effect matrix in **Table N18.1**.
- (4) The *ESD* control system is to be configured so as to enable the high-level testing required in **13.3.5** to be carried out in a safe and controlled manner. For the purpose of the testing, cargo pumps may be operated while the overflow control system is overridden. Procedures for level alarm testing and re-setting of the *ESD* system after completion of the high-level alarm testing is to be included in the operation manual required by **18.2.1**.

4 Additional shutdowns

- (1) The requirements of **8.3.1(1)** to protect the cargo tank from external differential pressure may be fulfilled by using an independent low pressure trip to activate the *ESD* system, or, as minimum, to stop any cargo pumps or compressors.
- (2) An input to the *ESD* system from the overflow control system required by **13.3** may be provided to stop any cargo pumps or compressors' running at the time a high level is detected, as this alarm may be due to inadvertent internal transfer of cargo from tank to tank.

5 Pre-operations testing

Cargo emergency shutdown and alarm systems involved in cargo transfer are to be checked and tested before cargo handling operations begin.

Table N18.1 – ESD Functional Arrangements

Initiation ↓ Shutdown action →	Pumps		Compressor systems				Valves	Link
	Cargo pumps/ cargo booster pumps	Spray/ stripping pumps	Vapour return compressors	Fuel gas compressors	Reliquefaction plant***, including condensate return pumps, if fitted	Gas combustion unit	ESD valves	Signal to ship/ shore link****
Emergency push buttons (see 18.3.1-3(1))	○	○	○	b	○	○	○	○
Fire detection on deck or in compressor house* (see 18.3.1-3(2))	○	○	○	○	○	○	○	○
High level in cargo tank (see 13.3.2 and 13.3.3)	○	○	○	a b	a c	a	f	○
Signal from ship/shore link (see 18.3.1-1(4))	○	○	○	b	c	N/A	○	N/A
Loss of motive power to ESD valves**	○	○	○	b	c	N/A	○	○
Main electric power failure (“blackout”)	g	g	g	g	g	g	○	○
Level alarm override (see 13.3.7)	d	d e	○	a	a	a	○	○

Notes:

1) SYMBOL

- a: These items of equipment can be omitted from these specific automatic shutdown initiators, provided the equipment inlets are protected against cargo liquid ingress.
- b: If the fuel gas compressor is used to return cargo vapour to shore, it is to be included in the ESD system when operating in this mode.
- c: If the reliquefaction plant compressors are used for vapour return/shore line clearing, they are to be included in the ESD system when operating in that mode.
- d: The override system permitted by 13.3.7 may be used at sea to prevent false alarms or shutdowns. When level alarms are overridden, operation of cargo pumps and the opening of manifold

ESD valves are to be inhibited except when high-level alarm testing is carried out in accordance with 13.3.5 (see 18.3.1-3(4)).

- e: Cargo spray or stripping pumps used to supply forcing vaporizer may be excluded from the *ESD* system only when operating in that mode.
- f: The sensors referred to in 13.3.2 may be used to close automatically the tank filling valve for the individual tank where the sensors are installed, as an alternative to closing the *ESD* valve referred to in 18.3.1-2(2). If this option is adopted, activation of the full *ESD* system is to be initiated when the high-level sensors in all the tanks to be loaded have been activated.
- g: These items of equipment are to be designed not to restart upon recovery of main electric power and without confirmation of safe conditions.
- *: Fusible plugs, electronic point temperature monitoring or area fire detection may be used for this purpose on deck.
- ** : Failure of hydraulic, electric or pneumatic power for remotely operated *ESD* valve actuators.
- ***: Indirect refrigeration systems which form part of the reliquefaction plant do not need to be included in the *ESD* function if they employ an inert medium such as nitrogen in the refrigeration cycle.

****: Signal need not indicate the event initiating *ESD*.

○: Functional requirement.

2) ABBREVIATIONS

N/A: Not applicable.

18.4 Operating Requirements

18.4.1 Application

The provisions in **18.4** are not related to surveys necessary for the maintenance of classification, but indicate those matters which are to be strictly observed by the shipowner or the ship master as well as all other persons responsible for the ship operation.

18.4.2 Cargo Information (*IGC Code 18.3*)

1 Information is to be on board and available to all concerned in the form of a cargo information data sheet(s) giving the necessary data for the safe carriage of cargo. Such information is to include, for each product carried:

- (1) a full description of the physical and chemical properties necessary for the safe carriage and containment of the cargo;
- (2) reactivity with other cargoes that are capable of being carried on board in accordance with the International Certificate of Fitness for the Carriage of Liquefied Gases in Bulk;
- (3) the actions to be taken in the event of cargo spills or leaks;
- (4) counter-measures against accidental personal contact;
- (5) fire-fighting procedures and fire-fighting media;
- (6) special equipment needed for the safe handling of the particular cargo; and
- (7) emergency procedures.

2 The physical data supplied to the master, in accordance with the **-1(1)** above, is to include information regarding the relative cargo density at various temperatures to enable the calculation of cargo tank filling limits in accordance with the requirements of **Chapter 15**.

3 Contingency plans in accordance with the **-1(3)** above, for spillage of cargo carried at ambient temperature, are to take account of potential local temperature reduction such as when the escaped cargo has reduced to atmospheric pressure and the potential effect of this cooling on hull steel.

18.4.3 Suitability for Carriage (*IGC Code 18.4*)

1 The master is to ascertain that the quantity and characteristics of each product to be loaded are within the limits indicated in the International Certificate of Fitness for the Carriage of Liquefied Gases in Bulk and in the Loading and Stability Information booklet required by in **2.2.3** and that products are listed in the International Certificate of Fitness for the Carriage of Liquefied Gases in Bulk as required under section **4** of the Certificate.

- 2** Care is to be taken to avoid dangerous chemical reactions if cargoes are mixed. This is of particular significance in respect of;
- (1) tank cleaning procedures required between successive cargoes in the same tank; and
 - (2) simultaneous carriage of cargoes that react when mixed. This is to be permitted only if the complete cargo systems including, but not limited to, cargo pipework, tanks, vent systems and refrigeration systems are separated as defined in **1.1.4(43)**.

3 Where products are required to be inhibited, the certificate required by **17.8** is to be supplied before departure, otherwise the cargo is not to be transported.

18.4.4 Carriage of Cargo at Low Temperature (*IGC Code 18.5*)

When carrying cargoes at low temperatures:

- (1) the cooldown procedure laid down for that particular tank, piping and ancillary equipment is to be followed closely;
- (2) loading is to be carried out in such a manner as to ensure that design temperature gradients are not exceeded in any cargo tank, piping or other ancillary equipment; and
- (3) if provided, the heating arrangements associated with the cargo containment systems are to be operated in such a manner as to ensure that the temperature of the hull structure does not fall below that for which the material is designed.

18.4.5 Cargo Transfer Operations (*IGC Code 18.6*)

1 A pre-cargo operations meeting is to take place between ship personnel and the persons responsible at the transfer facility. Information exchanged is to include the details of the intended cargo transfer operations and emergency procedures. A recognized industry checklist is to be completed for the intended cargo transfer and effective communications are to be maintained throughout the operation.

- 2** Essential cargo handling controls and alarms are to be checked and tested prior to cargo transfer operations.

18.4.6 Personnel Training (IGC Code 18.7)

1 Personnel is to be adequately trained in the operational and safety aspects of liquefied gas carriers as required by the International Convention on Standards of Training, Certification and Watchkeeping for Seafarers, 1978, as amended, the International Safety Management Code and the *Medical First Aid Guide (MFAG)*. As a minimum:

- (1) All personnel are to be adequately trained in the use of protective equipment provided on board and have basic training in the procedures, appropriate to their duties, necessary under emergency conditions; and
- (2) Officers are to be trained in emergency procedures to deal with conditions of leakage, spillage or fire involving the cargo and a sufficient number of them is to be instructed and trained in essential first aid for the cargoes carried.

18.4.7 Entry into Enclosed Spaces (IGC Code 18.8)*

1 Under normal operational circumstances, personnel are not to enter cargo tanks, hold spaces, void spaces or other enclosed spaces where gas may accumulate, unless the gas content of the atmosphere in such space is determined by means of fixed or portable equipment to ensure oxygen sufficiency and the absence of toxic atmosphere.

2 If it is necessary to gas-free and aerate a hold space surrounding a type *A* cargo tank for routine inspection, and flammable cargo is carried in the cargo tank, the inspection is to be conducted when the tank contains only the minimum amount of cargo "heel" to keep the cargo tank cold. The hold is to be re-inerted as soon as the inspection is completed.

3 Personnel entering any space designated as a hazardous area on a ship carrying flammable products are not to introduce any potential source of ignition into the space unless it has been certified gas-free and is maintained in that condition.

18.4.8 Cargo Sampling (IGC Code 18.9)

1 Any cargo sampling are to be conducted under the supervision of an officer who is to ensure that protective clothing appropriate to the hazards of the cargo is used by everyone involved in the operation.

2 When taking liquid cargo samples, the officer is to ensure that the sampling equipment is suitable for the temperatures and pressures involved, including cargo pump discharge pressure, if relevant.

3 The officer is to ensure that any cargo sample equipment used is connected properly to avoid any cargo leakage.

4 If the cargo to be sampled is a toxic product, the officer is to ensure that a "closed loop" sampling system as defined in [1.1.4\(14\)](#) is used to minimize any cargo release to atmosphere.

5 After sampling operations are completed, the officer is to ensure that any sample valves used are closed properly and the connections used are correctly blanked.

18.4.9 Hot Work on or Near Cargo Containment Systems (IGC Code 18.11)

Special fire precautions are to be taken in the vicinity of cargo tanks and, particularly, insulation systems that may be flammable or contaminated with hydrocarbons or that may give off toxic fumes as a product of combustion.

18.4.10 Additional Operating Requirements (IGC Code 18.12)

Additional operating requirements will be found in the following paragraphs of this Chapter: [1.2](#), [2.8](#), [3.9](#), [5.14](#), [7.9](#), [8.5](#), [13.10](#), [14.5](#), [15.7](#) and [17.23](#).

Chapter 19 MINIMUM REQUIREMENTS (Related to *IGC Code* Chapter 19)

19.1 General

19.1.1 Application*

The requirements of columns “c” to “g” and “I” of **Table N19.1** are applied to ships depending on the products to be carried according to the provisions which refer to **Table N19.1** in each previous chapter. The symbols of each column are as follows:

- (1) Products (column a): the names of products are identical with those given in the International Code for the Construction and Equipment of Ships Carrying Liquefied Gases in bulk. The product name is to be used in the shipping document for any cargo offered for bulk shipments. Any additional name may be included in brackets after the product name.
- (2) *UN* Numbers (column b): (Deleted)
- (3) Ship type (column c):
 - Ship type 1G: **(2.1.2(1))**
 - Ship type 2G: **(2.1.2(2))**
 - Ship type 2PG: **(2.1.2(3))**
 - Ship type 3G: **(2.1.2(4))**
- (4) Independent tank type *C* required (column d): Type *C* independent tank **(4.23)**.
- (5) Tank environmental control (column e):
 - Inert: Inerting **(9.4)**
 - Dry: Drying **(17.7)**
 - : No special requirements under this Part
- (6) Vapour detection (column f):
 - F*: Flammable vapour detection
 - T*: Toxic vapour detection
 - F + T*: Flammable and toxic vapour detection
 - A*: Asphixiant
- (7) Gauging (column g):
 - I*: Indirect or closed **(13.2.3(1) and (2))**
 - R*: Indirect, closed or restricted **(13.2.3(1), (2), (3) and (4))**
 - C*: Indirect or closed **(13.2.3(1), (2) and (3))**
- (8) *MFAG* numbers (column h): (Deleted)
- (9) Special requirements (column i): The paragraph in “()” indicates the paragraph of *IGC Code*. When specific reference is made to **Chapters 14** and/or **17** of this Part, these requirements are to be additional to the requirements in any other column.

19.1.2 Gas Mixtures Containing Acetylenes

Unless otherwise specified, gas mixtures containing less than 5% total acetylenes may be transported with no further requirements than those provided for the major components.

Table N19.1 Summary of Minimum Requirements

<i>a</i>	<i>b</i>	<i>c</i>	<i>d</i>	<i>e</i>	<i>f</i>	<i>g</i>	<i>h</i>	<i>i</i>
Product name	(Deleted)	Ship type	Independent tank type C required	Control of vapour space within cargo tanks	Vapour detection	Gauging	(Deleted)	Special requirements
Acetaldehyde		2G/2PG	-	Inert	F+T	C		14.4.3 (14.4.3), 14.3.3(1) (14.3.3.1), 17.4.1 (17.4.1), 17.6.1(1) & 17.23.3(1) (17.6.1)
Ammonia, anhydrous		2G/2PG	-	-	T	C		14.4 (14.4), 17.2.1(1) (17.2.1), 17.12 & 17.23.8 (17.12)
Butadiene (all isomers)		2G/2PG	-	-	F+T	C		14.4 (14.4), 17.2.1(2) (17.2.2), 17.4.2 (17.4.2), 17.4.3 & 17.23.2 (17.4.3), 17.6 & 17.23.3 (17.6), 17.8 & 17.23.4 (17.8)
Butane (all isomers)		2G/2PG	-	-	F	R		
Butane-propane mixture		2G/2PG	-	-	F	R		
Butylenes (all isomers)		2G/2PG	-	-	F	R		
Carbon dioxide (high purity)		3G	-	-	A	R		17.21 (17.21)
Carbon Dioxide (Reclaimed quality)		3G	-	-	A	R		17.22 (17.22)
Chlorine		1G	Yes	Dry	T	I		14.4 (14.4), 17.3.2 (17.3.2), 17.4.1 (17.4.1), 17.5 (17.5), 17.7 (17.7), 17.9 & 17.23.5 (17.9), 17.13 & 17.23.9 (17.13)
Diethyl ether*		2G/2PG	-	Inert	F+T	C		14.4.2 (14.4.2), 14.4.3 (14.4.3), 17.2.1(6) (17.2.6), 17.3.1 (17.3.1), 17.6.1(1) & 17.23.3(1) (17.6.1), 17.9 & 17.23.5 (17.9), 17.10 & 17.23.6 (17.10), 17.11.2 & 17.23.7 (17.11.2), 17.11.3 & 17.23.7 (17.11.3)
Dimethylamine		2G/2PG	-	-	F+T	C		14.4 (14.4), 17.2.1(1) (17.2.1)
Dimethyl Ether		2G/2PG	-	-	F+T	C		
Ethane		2G	-	-	F	R		
Ethyl Chloride		2G/2PG	-	-	F+T	C		
Ethylene		2G	-	-	F	R		

<i>a</i>	<i>b</i>	<i>c</i>	<i>d</i>	<i>e</i>	<i>f</i>	<i>g</i>	<i>h</i>	<i>i</i>
Product name	(Deleted)	Ship type	Independent tank type C required	Control of vapour space within cargo tanks	Vapour detection	Gauging	(Deleted)	Special requirements
Ethylene oxide		1G	Yes	Inert	F+T	C		14.4 (14.4), 17.2.1(2) (17.2.2), 17.3.2 (17.3.2), 17.4.1 (17.4.1), 17.5 (17.5), 17.6.1(1) & 17.23.3(1) (17.6.1), 17.14 & 17.23.10 (17.14)
Ethylene oxide-propylene oxide mixtures with ethylene oxide content of not more than 30% by weight*		2G/2PG	-	Inert	F+T	C		14.4.3 (14.4.3), 17.3.1 (17.3.1), 17.4.1 (17.4.1), 17.6.1(1) & 17.23.3(1) (17.6.1), 17.9 & 17.23.5 (17.9), 17.10 & 17.23.6 (17.10), 17.18 & 17.23.12 (17.18)
Isoprene (all isomers)*		2G/2PG	-	-	F	R		14.4.3 (14.4.3), 17.8 & 17.23.4 (17.8), 17.9 & 17.23.5 (17.9), 17.11.1 & 17.23.7 (17.11.1)
Isoprene (part refined)*		2G/2PG	-	-	F	R		14.4.3 (14.4.3), 17.8 & 17.23.4 (17.8), 17.9 & 17.23.5 (17.9), 17.11.1 & 17.23.7 (17.11.1)
Isopropylamine*		2G/2PG	-	-	F+T	C		14.4.2 (14.4.2), 14.4.3 (14.4.3), 17.2.1(4) (17.2.4), 17.9 & 17.23.5 (17.9), 17.10 & 17.23.6 (17.10), 17.11.1 & 17.23.7 (17.11.1), 17.15 (17.15)
Methane (LNG)		2G	-	-	F	C		
Methyl acetylene-propadiene mixtures		2G/2PG	-	-	F	R		17.16 & 17.23.11 (17.16)
Methyl bromide		1G	Yes	-	F+T	C		14.4 (14.4), 17.2.1(3) (17.2.3), 17.3.2 (17.3.2), 17.4.1 (17.4.1), 17.5 (17.5)
Methyl chloride		2G/2PG	-	-	F+T	C		17.2.1(3) (17.2.3)
Mixed C4 Cargoes		2G/2PG	-	-	F+T	C		14.4 (14.4), 17.2.1(2) (17.2.2), 17.4.2 (17.4.2), 17.4.3 & 17.23.2 (17.4.3), 17.6 & 17.23.3 (17.6), 17.20 (17.20)
Monoethylamine*		2G/2PG	-	-	F+T	C		14.4 (14.4), 17.2.1(1) (17.2.1), 17.3.1 (17.3.1), 17.9 & 17.23.5 (17.9), 17.10 & 17.23.6 (17.10), 17.11.1 & 17.23.7 (17.11.1), 17.15 (17.15)
Nitrogen		3G	-	-	A	C		17.17 (17.17)
Pentane (all isomers)*		2G/2PG	-	-	F	R		17.9 & 17.23.5 (17.9), 17.11 & 17.23.7 (17.11)

<i>a</i>	<i>b</i>	<i>c</i>	<i>d</i>	<i>e</i>	<i>f</i>	<i>g</i>	<i>h</i>	<i>i</i>
Product name	(Deleted)	Ship type	Independent tank type C required	Control of vapour space within cargo tanks	Vapour detection	Gauging	(Deleted)	Special requirements
Pentene (all isomers)*		2G/2PG	-	-	F	R		17.9 & 17.23.5 (17.9), 17.11 & 17.23.7 (17.11)
Propane		2G/2PG	-	-	F	R		
Propylene		2G/2PG	-	-	F	R		
Propylene oxide*		2G/2PG	-	Inert	F+T	C		14.4.3 (14.4.3), 17.3.1 (17.3.1), 17.4.1 (17.4.1), 17.6.1(1) & 17.23.3(1) (17.6.1), 17.9 & 17.23.5 (17.9), 17.10 & 17.23.6 (17.10), 17.18 & 17.23.12 (17.18)
Refrigerant gases (see notes)		3G	-	-	-	R		
Sulphur dioxide		1G	Yes	Dry	T	C		14.4 (14.4), 17.3.2 (17.3.2), 17.4.1 (17.4.1), 17.5 (17.5), 17.7 (17.7)
Vinyl chloride		2G/2PG	-	-	F+T	C		14.4.2 (14.4.2), 14.4.3 (14.4.3), 17.2.1(2) (17.2.2), 17.2.1(3) (17.2.3), 17.3.1 (17.3.1), 17.6 & 17.23.3 (17.6), 17.19 & 17.23.13 (17.19)
Vinyl ethyl ether*		2G/2PG	-	Inert	F+T	C		14.4.2 (14.4.2), 14.4.3 (14.4.3), 17.2.1(2) (17.2.2), 17.3.1 (17.3.1), 17.6.1(1) & 17.23.3(1) (17.6.1), 17.8 & 17.23.4 (17.8), 17.9 & 17.23.5 (17.9), 17.10 & 17.23.6 (17.10), 17.11.2 & 17.23.7 (17.11.2), 17.11.3 & 17.23.7 (17.11.3)
Vinylidene chloride*		2G/2PG	-	Inert	F+T	C		14.4.2 (14.4.2), 14.4.3 (14.4.3), 17.2.1(5) (17.2.5), 17.6.1(1) & 17.23.3(1) (17.6.1), 17.8 & 17.23.4 (17.8), 17.9 & 17.23.5 (17.9), 17.10 & 17.23.6 (17.10)
Other liquefied gases having same hazard of the products listed above	Requirements provided individually by the Society in accordance with characters of cargoes.							

Notes:

Refrigerant gases: Non-toxic and non-flammable gases

*: This cargo is covered also by [Part S](#).

Annex 16.1.1-2 (Deleted)

Annex 16.1.1-3 GAS-FUELLED ENGINES

Chapter 1 GENERAL

1.1 Scope

1 The Guidance applies to engines supplied with natural gas (including similar fuels with main component methane such as bio-methane or synthetic methane) as fuel and gas fuel supply systems in accordance with the requirements of **16.1.1, Part N of the Rules**.

2 It is to be ensured by the gas supply system that the gas supplied to the engine is always in gaseous state. This Annex does not cover requirements for liquid or cryogenic gas.

3 Dual fuel engines and gas fuel only engines may not be permitted for emergency applications.

4 Gas-fuelled engines and gas fuel supply systems are to comply with relevant requirements of **Part D** and **Part N of the Rules**, in addition to the requirements of this Guidance and **Chapter 16, Part N of the Rules**.

5 The following requirements specified in **Part GF of the Rules** as well as other requirements specified separately by the Society apply to gas-fuelled engines regardless of ship type, ship size and ship service area except where explicitly specified otherwise.

- (1) **2.1-4(3)**
- (2) **2.2.3-1**
- (3) **2.4.2-4(5)**
- (4) **2.4.2-4(6)(b)**
- (5) **4.1-7**

1.2 Equivalency

Low pressure gas-fuelled engines which do not comply with the requirements of this Guidance may be accepted provided that they are deemed to be equivalent to those specified in this Guidance by the Society.

1.3 Drawings and Data

The drawings and data to be submitted are as follows.

- (1) Drawings and data for approval
 - (a) Drawings and data specified in **2.1.3-1(1), Part D of the Rules**
 - (b) Drawings and data specified in **18.1.3(1)(a), (b) and (e), Part D of the Rules**
 - (c) Gas admission valves and actuating systems
 - (d) Gas fuel injection pipe and shielding arrangements
 - (e) Arrangement of gas detectors
 - (f) Combustion monitoring device
 - (g) Governor
 - (h) Engine control system diagram (including monitor, safety and alarm systems) for gas fuel combustion operation
 - (i) Gas leak protection system at connections between engines and gas fuel supply piping systems
 - (j) Gas fuel make-up plant (including construction, equipment, and control systems)
 - (k) Gas fuel supply piping system (including details of valves and pipe fittings) and protective device for gas leaks from them
 - (l) Automatic control and remote control systems for gas fuel supply systems

- (m) Pilot fuel injection devices or injection arrangements
 - (n) Schematic layout or other equivalent documents of gas system on the engine
 - (o) Gas piping system (including double-walled arrangement where applicable)
The documentation to contain specification of design pressures, working pressure, pipe dimensions and materials.
 - (p) Parts for gas admission system
The documentation to contain specifications of design pressures, working pressures, pipe dimensions and materials.
 - (q) Arrangement of explosion relief valves for crankcase (if required by **2.4.3, Part D of the Rules**), charge air manifold and exhaust gas manifold and exhaust gas system on the engine, as applicable
 - (r) List of certified safe equipment and relevant certification
 - (s) Schematic layout or other equivalent documents of pilot fuel system (only for dual fuel engines)
 - (t) Assembly drawings for the shielding of high pressure fuel pipes of pilot fuel system (in the case of dual fuel engines)
 - (u) Schematic layout or other equivalent documents of the ignition system (only for gas only engines)
 - (v) Other drawings and data as deemed necessary by the Society according to the type of low pressure gas-fuelled engines
- (2) Drawings and data for reference
- (a) Drawings and data specified in **2.1.3-1(2), Part D of the Rules**
 - (b) Other drawings and data as deemed necessary by the Society
- (3) Drawings and data for the purpose of inspecting and testing engines
- Items specified in **2.1.3-1, Part D of the Rules**, which are intended for inspection and testing (indicated by “○” in **Table D2.1(1)** and **Table D2.1(2), Part D of the Rules**).

1.4 Terms

- 1 *Certified safe equipment* is equipment certified by an independent national test institution or competent body to be in accordance with a recognised standard for electrical apparatus in hazardous areas. Refer to *IEC 60079* series “Explosive atmospheres” and *IEC 60092-502:1999* “Electrical installations in ships – Tankers – Special features”
- 2 *Double block and bleed valve* means valves which have the functionality specified in **16.4.5, Part N of the Rules**.
- 3 *Dual fuel engine* means an engine that can burn natural gas as fuel simultaneously with liquid fuel, either as pilot oil or bigger amount of liquid fuel (gas mode), and also has the capability of running on liquid diesel fuel oil only (Diesel mode).
- 4 *Explosion relief device* means a device to protect personnel and component against a determined overpressure in the event of a gas explosion. The device may be a valve, a rupture disc or other, as applicable.
- 5 *Gas* means natural gas used as fuel consisting primarily of methane. Gas may also be bio-methane or synthetic methane, etc. with methane as main component.
- 6 *Gas admission valve* is a valve or injector on the engine, which controls gas supply to the cylinder(s) according to the engine’s gas demand.
- 7 *Gas fuelled engine* means a dual fuel engine, a gas fuel only engine, or any variations thereof.
- 8 *Gas fuel only engine* means an engine that can be operated only with gas fuel and cannot be switched to oil-fuelled operation.
- 9 *Gas piping* means piping containing gas or air / gas mixtures.
- 10 *High pressure gas* means gas with a maximum working pressure greater than 1 MPa (gauge).
- 11 *Low pressure gas* means gas with a maximum working pressure lower or equal to 1 MPa (gauge).
- 12 *Lower Heating Value (LHV)* means the amount of heat produced from the complete combustion of a specific amount of fuel, excluding latent heat of vaporisation of water.
- 13 *Methane Number* is a measure of resistance of a gas fuel to knock, which is assigned to a test fuel based upon operation in knock testing unit at the same standard knock intensity. (Pure methane is used as the knock resistant reference fuel, that is, methane number of pure methane is 100, and pure hydrogen is used as the knock sensitive reference fuel, methane number of pure hydrogen is 0.)
- 14 *Pilot fuel* means the fuel oil that is injected into the cylinder to ignite the main gas-air mixture on Gas-fuelled engines.
- 15 *Pre-mixed engine* means an engine where gas is supplied in a mixture with air through a common manifold for all cylinders, e.g. mixed before or after the turbocharger.

16 *Safety Concept* is a document describing the safety philosophy with regard to gas as fuel. It describes how risks associated with this type of fuel are controlled under reasonably foreseeable abnormal conditions as well as possible failure scenarios and their control measures. The results of the risk analysis are to be reflected in the safety concept. A detailed evaluation regarding the hazard potential of injury from a possible explosion is to be carried out and reflected in the safety concept of the engine.

Chapter 2 CONSTRUCTION AND EQUIPMENT OF GAS-FUELLED ENGINES

2.1 General

1 Gas-fuelled engines are to be capable of maintaining stable operation even under any of the following (1) to (3) conditions:

- (1) switching from one fuel to another (in the case of dual fuel engines),
- (2) rapid load transient, and
- (3) minimum load condition during gas combustion

2 Gas fuel supply pressures for gas-fuelled engines are to always be kept higher than suction air pressures at the supply points of gas fuel to combustion chambers or the suction pipes before suction valves in order to prevent any back-flow of air into gas fuel lines.

3 The manufacturer is to declare the allowable gas composition limits for the engine and the minimum and (if applicable) maximum methane number.

4 Components containing or likely to contain gas are to be designed in accordance with the following (1) to (3).

- (1) Minimise the risk of fire and explosion so as to demonstrate an appropriate level of safety commensurate with that of an oil-fuelled engine
- (2) Mitigate the consequences of a possible explosion to a level providing a tolerable degree of residual risk, due to the strength of the component(s) or the fitting of suitable pressure relief devices of an approved type
The strength of the component(s) or arrangement of explosion relief devices is to be documented (e.g. as part of risk analysis) or otherwise demonstrated to be sufficient for a worst-case explosion.
- (3) Refer to **10.2** and **10.3, Part GF of the Rules**

5 Discharge from explosion relief devices is to prevent the passage of flame to the machinery space and be arranged such that the discharge does not endanger personnel or damage other engine components or systems.

6 Explosion relief devices are to be fitted with a flame arrester.

2.2 Construction and Strength

2.2.1 Gas Admission Valves and Actuating Systems

1 Gas admission valves are to have satisfactory operating characteristics and durability for the assumed service period.

2 Gas admission valves are to be provided with a sealing system to effectively prevent gas fuel from leaking through spaces around valve spindles.

3 The actuating systems of gas admission valves are to have satisfactory operating characteristics and reliability.

2.2.2 Cylinder Covers

1 The shape of combustion chambers and the arrangements of gas admission valves are to be such that reliable ignition and combustion of gas fuel are ensured.

2 The portions of cylinder covers where gas admission valves and oil fuel injection valves are fitted are to be so constructed as to prevent the leakage of gas fuel and unburnt gases in the cylinders.

2.2.3 Crankcase

1 Crankcase explosion relief valves are to be installed in accordance with **2.4.3, Part D of the Rules**. Refer also to **10.3.1-2, Part GF of the Rules**. For engines not covered by **2.4.3, Part D of the Rules**, the detailed evaluation required by **8.3, Part 6 of the Guidance for the Approval and Type Approval of Materials and Equipment for Marine Use** is to determine if crankcase explosion relief valves are necessary.

2 For maintenance purposes, a connection, or other means, are to be provided for crankcase inerting and ventilating and gas concentration measuring.

3 Ventilation of crankcase (either supply or extraction), if arranged, is to comply with **2.2.2-6(1), Part D of the Rules**. Relevant evidence is to be documented in Safety Concept. The ventilation systems for crankcase, sump and other similar engine spaces are to

be independent from the systems on the other engines.

2.2.4 Gas Ignition in Cylinder

For gas ignition in the cylinder, the requirements of **16.7, Part N of the Rules** are to be applied.

2.3 Safety Systems

2.3.1 Protection against Explosions

1 The relief valves for cylinders installed in accordance with the requirements of **2.4.2, Part D of the Rules**, are to be provided with a system to monitor certain closing of the valves as far as practicable.

2 When gas is supplied in a mixture with air through a common manifold, flame arrestors are to be installed before each cylinder head.

3 Effective gas detecting systems to detect gas fuel leaks are to be fitted at the following locations (1) and (2).

- (1) Crankcases. In this case, the sensors may be required at more than one location depending on the shape of the crankcase; and
- (2) Other locations considered necessary by the Society.

2.3.2 Governors

1 In addition to operations using gas fuel, governors of gas-fuelled engines are to be functional in either the simultaneous combustion mode of gas and oil fuel (or pilot oil) or the combustion mode of oil fuel.

2 The governors of -1 above are to comply with the requirements in **2.4.1-1, Part D of the Rules** in each mode of operations.

3 Gas-fuelled dual fuel engines are to be operated in any one of the modes specified in the following (1) to (3):

- (1) controllable gas fuel supply and fixed oil fuel (pilot oil) supply,
- (2) controllable oil fuel (pilot oil) supply and fixed gas fuel supply, or
- (3) controllable gas fuel and oil fuel supplies.

2.4 Accessory Equipment

2.4.1 Charge Air Systems and Exhaust Gas Systems

1 The charge air system and the exhaust gas system on the gas-fuelled engine are to be designed in accordance with **2.1-4**.

2 In case of a single engine installation, the engine is to be capable of operating at sufficient load to maintain power to essential consumers after opening of the pressure relief devices caused by an explosion event. Sufficient power for propulsion capability is to be maintained.

3 Load reduction is to be considered on a case-by-case basis, depending upon engine configuration (single or multiple) and type of relief mechanism (self-closing valve or bursting disk).

4 Continuous relief of exhaust gas (through open rupture disc) into the engine room or other enclosed spaces is not acceptable.

5 Suitable explosion relief system for air inlet manifolds, scavenge spaces and exhaust system is to be provided unless designed to accommodate the worst-case overpressure due to ignited gas leaks or justified by the safety concept of the engine. A detailed evaluation regarding the hazard potential of overpressure in air inlet manifolds, scavenge spaces and exhaust system is to be carried out and reflected in the safety concept of the engine.

6 Explosion relief devices for air inlet and exhaust manifold are to be approved according to **Chapter 13, Part 6 of the Guidance for the Approval and Type Approval of Materials and Equipment for Marine Use**.

7 The necessary total relief area and the arrangement of the explosion relief devices are to be determined taking into account:

- (1) The worst-case explosion pressure depending on initial pressure and gas concentration,
- (2) the volume and geometry of the component, and
- (3) the strength of the component.

8 The arrangement of the explosion relief devices is to be determined in the risk analysis required by **8.3, Part 6 of the Guidance for the Approval and Type Approval of Materials and Equipment for Marine Use** and reflected in the safety concept.

2.4.2 Gas Pipes

1 Gas pipes is to be provided with effective shielding against gas fuel bursting due to failures of pipes, except where deemed appropriate by the Society.

- 2 Spaces between the gas pipes and the shielding is to be provided with means according to the requirements in 3.2.2-2.
- 3 When flexible tubes are used as the shielding, they are to be of an approved type.
- 4 For piping attached to gas-fuelled engines, the following (1) to (8) also apply.
- (1) Requirements of 5.1 to 5.9 and Chapter 16, Part GF of the Rules are applied.
 - (2) Other connections as mentioned in 7.3.6-4(4), Part GF of the Rules may be accepted subject to approval of use in accordance with the requirements of Chapter 9, Part 6 of the Guidance for the Approval and Type Approval of Materials and Equipment for Marine Use.
 - (3) Design pressure for gas pipes are to be in accordance with the following rules:
 - (a) Gas pipe (low pressure): 5.4.1, Part N of the Rules
 - (b) Gas pipe (high pressure): 5.4.1, Part N of the Rules
 - (c) Outer pipe (low pressure): 5.4.4, Part N of the Rules
 - (d) Outer pipe (high pressure): 5.4.4, Part N of the Rules
 - (e) Open ended pipes: 5.4.1, Part N of the Rules
 - (4) Flexible bellows used in the fuel gas system on the engine is to be approved based on the requirements of 5.13.1-2, Part N of the Rules.

The number of cycles, pressure, temperature, axial movement, rotational movement and transverse movement which the bellow will encounter in actual service on the engine are to be specified by the engine designer.

Endurance against high cycle fatigue due to vibration loads is to be verified by testing or alternatively be documented by the *EJMA* calculation or equivalent (i.e., more than 10^7 cycles). However, the fatigue test due to ship deformations in 16.7.2(4), Part GF of the Rules is considered not relevant for bellows which are an integral part of the engine.

- (5) Arrangement of the gas piping system on the engine

Pipes and equipment containing fuel gas are defined as hazardous area zone 0 (refer to 12.5.1, Part GF of the Rules). The space between the gas fuel piping and the wall of the outer pipe or duct is defined as hazardous area zone 1 (refer to 12.5.2(6), Part GF of the Rules).
- (6) Normal “double wall” arrangement
 - (a) The gas piping system on the gas-fuelled engine are applied the requirements of 16.4.3, Part N of the Rules.
 - (b) The design criteria for the double pipe or duct are given in the 9.8 and 7.4.1-4, Part GF of the Rules.
 - (c) In case of a ventilated double wall, the ventilation inlet is applied the provisions of 16.4.3(2), Part N of the Rules.
 - (d) The pipe or duct is to be pressure tested in accordance with 12.6.1-2 to -4, Part D of the Rules to ensure gas tight integrity and to show that it can withstand the expected maximum pressure at gas pipe rupture.
- (7) Alternative arrangement

Single walled gas piping is only acceptable in cases where the requirements of Part N of the Rules permit (e.g. 16.4.4-1, Part N of the Rules).
- (8) Gas admission valves

Electrically operated Gas admission valves are to be certified safe as follows:

 - (a) The inside of the valve contains gas and therefore it is to be certified for zone 0.
 - (b) When the valve is located within a pipe or duct in accordance with (6), the outside of the valve is to be certified for zone 1.
 - (c) However, if they are not rated for the zone they are intended for, it is to be documented that they are suitable for that zone. Documentation and analysis is to be based on *IEC* 60079-10-1:2015 or *IEC* 60092-502:1999.

Gas admission valves operated by hydraulic oil system are to be provided with sealing arrangement to prevent gas from entering the hydraulic oil system.

2.4.3 Cylinder Lubrication

Cylinder lubricating systems for gas-fuelled engines are to be capable of maintaining adequate alkali values and cylinder oil feeding rates according to the mode of operation on oil fuel only and also the modes of operation specified in 2.3.2-3(1) to (3) as standard.

2.5 Design Requirements for Each Kind of Engines

2.5.1 Dual Fuel Engine

1 General

The maximum continuous power that a dual fuel engine can develop in gas mode may be lower than the approved MCR of the engine (i.e. in oil fuel mode), depending in particular on the gas composition and its quality or the engine design. This maximum power available in gas mode and the corresponding conditions are to be stated by the engine manufacturer.

2 Starting, changeover and stopping

- (1) Dual fuel engines are to be arranged to be started using either oil fuel or gas fuel with pilot oil fuel for ignition. The engines are to be arranged for rapid changeover from gas use to fuel oil use. In the case of changeover to either fuel supply, the engines are to be capable of continuous operation using the alternative fuel supply without interruption to the power supply.
- (2) Changeover to gas fuel operation is to be only possible at a power level and under conditions where it can be done with acceptable reliability and safety as demonstrated through testing.
- (3) Changeover from gas fuel operation mode to oil fuel operation mode is to be possible at all situations and power levels.
- (4) The changeover process itself from and to gas operation is to be automatic but manual interruption is to be possible in all cases.
- (5) If the power level or other conditions do not allow safe and reliable gas operation, changeover to oil fuel mode is to be automatically performed.
- (6) In case of shut-off of the gas supply, the engines are to be capable of continuous operation by oil fuel only.

3 Gas supply to the combustion chamber is not to be possible without operation of the pilot oil injection. In addition, pilot injection is to be monitored for example by fuel oil pressure and combustion parameters.

2.5.2 Gas only engine

In case of failure of the spark ignition, the engine is to be shut down except when the following **(1)** to **(3)** are satisfied:

- (1) the failure is limited to one cylinder;
- (2) the gas supply to the failed cylinder is immediately shut off; and
- (3) safe operation of the engine is substantiated by risk analysis and tests.

2.5.3 Pre-mixed Engine

Inlet manifolds, turbochargers, charge air coolers, etc. are to be regarded as parts of fuel gas supply systems.

Chapter 3 GAS FUEL SUPPLY SYSTEMS

3.1 Gas Fuel make-up Plants

3.1.1 General

1 Gas fuel make-up plants and oil fuel supply systems for gas-fuelled engines are to be capable of sustaining main engine operation so that at least normal navigation can be maintained even if one of the fuel systems for gas fuel or oil fuel fails.

2 Low pressure gas compressors and heat exchangers forming gas fuel make-up plants are to comply with requirements specified separately by the Society.

3 Pressure vessels and piping systems composing a gas fuel make-up plant are to comply with the requirements of **Chapter 5, Part N of the Rules**.

4 If the heating medium of gas fuel heat exchangers returns to spaces other than cargo spaces, it is to be so arranged that the heating medium is returned through degassing tanks located in cargo spaces. The degassing tanks are to be provided with a gas detecting system to issue alarms on detecting gas leaks. Vent outlets of the degassing tanks are to be provided with flame screens and the openings are to be located at safe positions.

3.2 Gas Fuel Supply Piping Systems

3.2.1 General

Gas fuel supply piping systems are to comply with the relevant requirements of **16.4.1-2, Part N of the Rules**.

3.2.2 Protection against Gas Fuel Leaks

1 Gas fuel supply piping systems are not to be led through the accommodation spaces, service spaces and control stations.

2 The arrangements are to comply with the requirements in **16.4.3(1) or (2), Part N of the Rules** when gas fuel supply piping systems are led through or led into the spaces other than those specified in **-1** above.

Chapter 4 CONTROL, ALARM AND SAFETY SYSTEMS

4.1 General

1 Control systems for operating gas-fuelled engines using gas fuel are to comply with the requirements in **18.1** to **18.3** and **18.7**, **Part D of the Rules**.

2 Gas fuel supply compressors in the gas fuel make-up plant are to be provided with the following safety systems :

- (1) Remote stopping devices from readily accessible places and the position from which station of the main engine is normally controlled.
- (2) Automatic stopping devices actuated when the suction pressure of boil-off gases drops to below the predetermined value according to the cargo tank construction system, before the tank pressure reaches the set pressure of negative pressure relief valves for cargo tanks.
- (3) Emergency shut-down specified in **Table N18.1, Part N of the Rules**.
- (4) Volumetric compressors are to be fitted with pressure relief valves discharging into the suction line of the compressor. The size of the pressure relief valves is to be determined in such away that, with the delivery valve kept close, the maximum pressure will not exceed the maximum working pressure by more than 10%.

3 The exit temperature and pressure or flow rate of the gas fuel at the gas fuel make-up plant are to be automatically controlled.

4 The engine control system is to be independent and separate from the safety system.

5 The gas admission valves are to be controlled by the engine control system or by the engine gas demand.

6 Combustion is to be monitored on an individual cylinder basis.

7 In the event that poor combustion is detected on an individual cylinder, gas operation may be allowed in the conditions specified in **10.3.1-6, Part GF of the Rules**.

8 Regardless of **-6**, if monitoring of combustion for each individual cylinder is not practicable due to engine size and design, common combustion monitoring may be accepted.

9 Unless risk analysis by a method deemed appropriate by the Society proves that risk is within the acceptable range, alarm and safety system functions of dual fuel or gas only engines are to be provided in accordance with **Table 4.1**. (for dual fuel engines, **Table 4.1** applies only to gas mode) However, even if risk analysis proves that risk is within the acceptable range, the alarm and safety system functions specified in **Part N of the Rules** are still to be provided. Additional alarms and safety devices may be required if deemed necessary by the Society.

Table 4.1 Alarm and Safety System Functions for Dual Fuel Engines

Parameter	Alarm	Automatic activation of the double block and bleed valves	Automatic switching over to oil fuel mode ⁵⁾	Engine shutdown
1. Abnormal pressures in the gas fuel supply line	X	X	X	X ⁵⁾
2. Gas fuel supply systems - malfunction	X	X	X	X ⁵⁾
3. Pilot fuel injection or spark ignition systems - malfunction	X	X ²⁾	X	X ²⁾⁵⁾
4. Exhaust gas temperature after each cylinder - high	X	X ²⁾	X	X ²⁾⁵⁾
5. Exhaust gas temperature after each cylinder - low ³⁾	X	X ²⁾	X	X ²⁾⁵⁾
6. Cylinder pressure or ignition - failure, including misfiring, knocking and unstable combustion	X	X ²⁾⁴⁾	X ⁴⁾	X ²⁾⁴⁾⁵⁾
7. Oil mist concentration in crankcase or bearing temperature ⁶⁾ - high	X	X	-	X ⁹⁾
8. Pressure in the crankcase - high ⁸⁾	X	X	X	-
9. Engine stops - any cause	X	X	-	-
10. Failure of the control-actuating medium of the block and bleed valves	X	X	X	-
11. Failure of crankcase ventilation system, if applicable	X	X ⁷⁾	X ⁷⁾	-
12. Abnormal temperature in the gas fuel supply line	X	X ¹⁰⁾	X ¹⁰⁾	X ⁵⁾¹⁰⁾¹¹⁾
13. Leak detection between gas piping and outer pipes or ducts as specified in 16.4.3, Part N of the Rules ¹⁰⁾	X	X	X	X ⁵⁾
14. Low pressures of hydraulic and pneumatic sources, or loss of electric power supply for gas fuel combustion control ¹⁰⁾	X	X	X	X ⁵⁾¹¹⁾

Notes:

- 1) Dual fuel engine only, when running in gas mode
- 2) For gas fuel only engines, the double block and bleed valves and the engine shutdown may not be activated in case of specific failures affecting only one cylinder, provided that the concerned cylinder can be individually shutoff and the safe operation of the engine in such conditions is demonstrated by the risk analysis.
- 3) Required only if necessary for the detection of misfiring. In addition, deviation from average is to be used for the operation setting of each function.
- 4) In cases where the failure can be corrected by an automatic mitigation action, only the alarm may be activated. If the failure persists after a given time, the safety actions are to be activated.
- 5) Only for Gas fuel only engine
- 6) Where required by **2.4.5, Part D of the Rules**.

-
- 7) Automatic safety actions to be activated as specified by the engine manufacturer (see [2.2.2-6, Part D of the Rules](#))
 - 8) Only for trunk piston engines.
 - 9) Only for trunk piston engines. For crosshead engines slow down applies (see [2.4.5, Part D of the Rules](#))
 - 10) Only for gas-fuelled engines installed onboard ships subject to the application of [1.1.1, Rules for Automatic and Remote Control Systems](#)
 - 11) Slowdown is acceptable instead of shutdown. In this case, “automatic activation of the double block and bleed valves” does not apply.

4.2 Gas-fuelled engines of Ships to which the Rules for Automatic Remote Control Systems Apply

Gas-fuelled engines of ships to which the requirement [1.1.1, Rules for Automatic and Remote Control Systems](#) apply are also to comply with the requirements of [3.2](#) and [3.3](#) or [4.2 of Rules for Automatic and Remote Control Systems](#).

4.3 Gas Fuel Supply Compressors for Ships to which the Rules for Automatic and Remote Control Systems Apply

Gas fuel supply compressors of ships to which the requirements of [1.1.1 of the Rules for Automatic and Remote Control Systems](#) apply are to be provided with safety systems and alarm systems specified in the following (1) through (8):

- (1) Monitoring systems and protective devices specified separately by the Society.
- (2) Emergency shut-down devices specified separately by the Society.
- (3) Automatic stopping device at overspeeds.
- (4) Automatic stopping device at low lubricating oil pressures.
- (5) Automatic stopping device at abnormal high discharge pressures.
- (6) Automatic stopping device at abnormal low temperatures at boil-off gas heater outlets.
- (7) Devices to avoid continuous operations in the barred speed ranges.
- (8) Safety systems and alarm systems specified in [Table 3.9 of the Rules for Automatic and Remote Control Systems](#) when gas compressors are driven by steam turbines.

Chapter 5 TESTS

5.1 Approval of Use

For each type of gas-fuelled engine, approval of use is to be obtained by the engine designer (licensor) in accordance with requirements specified in **Chapter 8, Part 6 of the Guidance for the Approval and Type Approval of Materials and Equipment for Marine Use**.

5.2 Shop Test

5.2.1 Hydrostatic Tests

The parts and accessory equipment of gas-fuelled engines, which are exposed to pressures, are to be subjected to hydrostatic tests in accordance with **2.6.1-1, Part D of the Rules** and **16.7.3, Part GF of the Rules**: relevant requirements are to be applied mutatis mutandis.

5.2.2 Shop Trials

Gas-fuelled engines are to be tested as specified in **2.6.1-3, Part D of the Rules**. To implement surveys of tests, in lieu of traditional ordinary surveys where the Surveyor is in attendance, the Society may approve survey methods which it considers to be able to obtain information equivalent to that obtained through traditional ordinary surveys.

5.3 Tests after Installation On Board

1 The control systems of gas-fuelled engines and related equipment are to be subjected to tests in accordance with **18.7.3, Part D of the Rules** or **2.2.4, Rules for Automatic and Remote Control Systems** according to the kind of Installations Character.

2 A leak test is to be carried out for the gas piping system after assembly on board in accordance with **16.7.3-3, Part GF of the Rules**.

3 The efficiency of the ventilation arrangement, or other approved principle, of the double walled gas piping system is to be verified.

5.4 Sea Trials

1 Performance of control systems of gas-fuelled engines and related equipment is to be verified during operations using gas fuel depending upon their installation characters in accordance with the requirements of **2.2.5, Rules for Automatic and Remote Control Systems**: relevant requirements are to be applied mutatis mutandis.

2 Sea trials specified in **2.1.7-7, Part B** are to be carried out for operations using the oil fuel only. (In case of dual fuel engine) In addition, however, either the testing items as considered to be necessary by the Society are to be carried out to verify the control performance of engine operations using the gas fuel.

Contents

GUIDANCE FOR THE SURVEY AND CONSTRUCTION OF STEEL SHIPS	8
Part N SHIPS CARRYING LIQUEFIED GASES IN BULK	8
N1 GENERAL	8
N1.1 General	8
N2 SHIP SURVIVAL CAPABILITY AND LOCATION OF CARGO TANKS	9
N2.1 General	9
N2.2 Freeboard and Stability	9
N2.3 Damage Assumptions	10
N2.4 Location of Cargo Tanks	10
N2.5 Flooding Assumptions	10
N2.6 Standard of Damage	12
N2.7 Survival Requirements	12
N3 SHIP ARRANGEMENTS	13
N3.1 Segregation of the Cargo Area	13
N3.2 Accommodation, Service and Machinery Spaces and Control Stations	13
N3.3 Cargo Machinery Spaces and Turret Compartments.....	14
N3.4 Cargo Control Rooms	16
N3.5 Access to Spaces in the Cargo Area.....	16
N3.6 Airlocks	18
N3.7 Bilge, Ballast and Oil Fuel Arrangements	18
N3.8 Bow and Stern Loading and Unloading Arrangements	19
N4 CARGO CONTAINMENT	20
N4.3 Functional Requirements	20
N4.5 Secondary Barriers in relation to Tank Types.....	20
N4.6 Design of Secondary Barriers	21
N4.7 Partial Secondary Barriers and Primary Barrier Small Leak Protection System	21
N4.8 Supporting Arrangements	22
N4.13 Functional Loads	22
N4.14 Environmental Loads	23
N4.18 Design Conditions	23
N4.19 Materials.....	24
N4.20 Construction Processes.....	28
N4.21 Type <i>A</i> Independent Tanks.....	32
N4.22 Type <i>B</i> Independent Tanks.....	34
N4.23 Type <i>C</i> Independent Tanks.....	35
N4.24 Membrane Tanks	37
N4.25 Integral Tanks.....	37
N4.26 Semi-membrane Tanks.....	38
N4.28 Guidance Notes for Chapter 4.....	38

N5	PROCESS PRESSURE VESSELS AND LIQUID, VAPOUR, AND PRESSURE PIPING SYSTEMS	41
N5.1	General	41
N5.2	System Requirements	41
N5.3	Arrangements for Cargo Piping outside the Cargo Area.....	42
N5.4	Design Pressure	42
N5.5	Cargo System Valve Requirements	43
N5.6	Cargo Transfer Arrangements	43
N5.7	Installation Requirements	44
N5.8	Piping Fabrication and Joining Details.....	45
N5.9	Welding, Post-weld Heat Treatment and Non-destructive Testing.....	46
N5.11	Piping System Component Requirements	46
N5.12	Materials.....	48
N5.13	Testing Requirements	49
N6	MATERIALS OF CONSTRUCTION AND QUALITY CONTROL	50
N6.2	Scope and General Requirements	50
N6.3	General Test Requirements and Specifications	50
N6.4	Requirements for Metallic Materials	50
N6.5	Welding of Metallic Materials and Non-destructive Testing.....	51
N6.6	Other Requirements for Construction in Metallic Materials	54
N7	CARGO PRESSURE/TEMPERATURE CONTROL	55
N7.1	Methods of Control	55
N7.2	Design of Systems	55
N7.3	Reliquefaction of Cargo Vapours.....	55
N7.7	Segregation	56
N8	CARGO TANK VENT SYSTEMS	57
N8.1	General	57
N8.2	Pressure Relief Systems	57
N8.3	Vacuum Protection Systems	59
N8.4	Sizing of Pressure Relieving Systems	60
N9	CARGO CONTAINMENT SYSTEM ATMOSPHERE CONTROL	62
N9.1	Atmosphere Control within the Cargo Containment Systems	62
N9.2	Atmosphere Control within the Hold Spaces (Cargo Containment Systems other than Type <i>C</i> Independent Tanks)	62
N9.3	Environmental Control of Spaces Surrounding Type <i>C</i> Independent Tanks	63
N9.4	Inerting	63
N9.5	Inert Gas Production On Board	64
N10	ELECTRICAL INSTALLATIONS.....	66
N10.2	General	66
N11	FIRE PROTECTION AND EXTINCTION	68
N11.1	Fire Safety Requirements	68
N11.2	Fire Mains and Hydrants	68
N11.3	Water Spray System.....	68

N11.4	Dry Chemical Powder Fire-extinguishing Systems	70
N11.5	Enclosed Spaces Containing Cargo Handling Equipment	71
N12	MECHANICAL VENTILATION IN THE CARGO AREA.....	72
N12.1	Spaces Required to be Entered during Normal Cargo Handling Operations	72
N12.2	Spaces Not Normally Entered.....	72
N13	INSTRUMENTATION AND AUTOMATION SYSTEMS	73
N13.1	General	73
N13.2	Level Indicators for Cargo Tanks.....	73
N13.3	Overflow Control	74
N13.4	Pressure Monitoring.....	74
N13.5	Temperature Indicating Devices.....	74
N13.6	Gas Detection Requirements	74
N13.7	Additional Requirements for Containment Systems Requiring a Secondary Barrier	75
N13.8	Automation Systems.....	76
N13.9	System Integration.....	76
N13.11	Additional Requirements	76
N14	PERSONNEL PROTECTION	77
N14.4	Personnel Protection Requirements for Individual Products (<i>IGC Code 14.4</i>).....	77
N15	FILLING LIMITS FOR CARGO TANKS	78
N15.4	Determination of Increased Filling Limit.....	78
N16	USE OF CARGO AS FUEL	80
N16.1	General	80
N16.3	Arrangement of Spaces Containing Gas Consumers	80
N16.5	Gas Fuel Plants and Related Storage Tanks	80
N16.7	Special Requirements for Gas-fired Internal Combustion Engines	80
N17	SPECIAL REQUIREMENTS.....	82
N17.12	Ammonia	82
N17.18	Propylene Oxide and Mixtures of Ethylene Oxide-propylene Oxide with Ethylene Oxide Content of not more than 30% by Weight	82
N18	OPERATING REQUIREMENTS	83
N18.3	Cargo Emergency Shutdown (<i>ESD</i>) System	83
N18.4	Operating Requirements	83
N19	MINIMUM REQUIREMENTS	84
N19.1	General	84
Annex 1	GUIDANCE FOR EQUIPMENT AND FITTINGS OF SHIPS CARRYING LIQUEFIED GASES IN BULK	85
Chapter 1	GENERAL	85
1.1	Application	85
1.2	Submission of Plans and Documents	85
1.3	Tests.....	85
Chapter 2	CARGO COMPRESSORS	87
2.1	General.....	87
2.2	Submission of Plans and Documents	87

2.3	Materials, Construction and Strength	87
2.4	Safety Devices	89
2.5	Accessory Installations	89
2.6	Tests and Inspection	90
Chapter 3	CARGO PUMPS	92
3.1	General.....	92
3.2	Submission of Plans and Documents	92
3.3	Materials, Construction and Strength	92
3.4	Safety System	93
3.5	Accessory Installation	94
3.6	Tests and Inspection	94
Chapter 4	HEAT EXCHANGERS	96
4.1	General.....	96
4.2	Materials, Construction and Strength	96
4.3	Tests and Inspection	96
Chapter 5	VALVES	97
5.1	General.....	97
5.2	Materials, Construction and Strength	97
5.3	Tests and Inspection	97
Chapter 6	RELIEF VALVES	99
6.1	General.....	99
6.2	Materials, Construction and Strength	99
6.3	Relieving Capacity	100
6.4	Tests and Inspection	100
6.5	Additional Requirements for Relief Valves Used in Combination with Rupture Discs	102
Chapter 7	EXPANSION JOINTS (For Cargo Piping and Process Piping Systems).....	103
7.1	General.....	103
7.2	Materials, Construction and Strength	103
7.3	Tests and Inspection	105
Chapter 8	INERT GAS GENERATOR/STORAGE SYSTEM AND LIQUID NITROGEN TANK..	106
8.1	General.....	106
8.2	Inert Gas Generators (<i>IGG</i>)	106
8.3	Inert Gas Storage System	108
8.4	Liquid Nitrogen Tanks.....	109
8.5	Tests and Inspection	109
Chapter 9	LEVEL INDICATORS AND LEVEL ALARMS	110
9.1	General.....	110
Chapter 10	PRESSURE GAUGES.....	111
10.1	General.....	111
10.2	Bourdon Tube Pressure Gauges	111
10.3	Pressure Gauges other than Bourdon Tube Pressure Gauges	111
10.4	Pressure Gauges for Low Temperature Services.....	112
10.5	Electrical Installations.....	112

10.6	Tests and Inspection	112
Chapter 11	TEMPERATURE INDICATING DEVICES	114
11.1	General.....	114
11.2	Materials	114
11.3	Temperature Measuring Sensors	114
11.4	Electrical Installations.....	114
11.5	Sensor Protectors.....	114
11.6	Tests and Inspection	115
Chapter 12	INSULATION MATERIALS	116
12.1	General.....	116
12.2	Insulation Application Procedures	116
12.3	Tests and Inspection	116
Chapter 13	(Deleted).....	118
Chapter 14	OXYGEN CONTENT MEASURING EQUIPMENT	119
14.1	General.....	119
14.2	Materials, Construction and Performance	119
14.3	Marking and Maintenance/Inspection	120
14.4	Tests and Inspection	120
Chapter 15	HUMIDITY MEASURING EQUIPMENT	123
15.1	General.....	123
15.2	Materials, Construction and Performance	123
15.3	Marking and Maintenance/Inspection	123
15.4	Tests and Inspection	123
Chapter 16	(Deleted).....	124
Chapter 17	WATER SPRAY SYSTEM.....	125
17.1	General.....	125
17.2	Submission of Plans and Documents	125
17.3	Materials, Construction and Performance	125
17.4	Marking, etc.....	125
17.5	Tests and Inspection	125
Chapter 18	FIXED NITROGEN GAS FIRE-EXTINGUISHING SYSTEM	127
18.1	General.....	127
18.2	Submission of Plans and Documents	127
18.3	Materials, Construction and Performance	127
18.4	Marking and Maintenance/Inspection	128
18.5	Tests and Inspection	128
Chapter 19	MECHANICAL VENTILATION SYSTEM	129
19.1	General.....	129
19.2	Materials, Construction and Strength	129
19.3	Markings	129
19.4	Tests and Inspection	129
Chapter 20	CARGO HOSES	130
20.1	General.....	130

20.2	Submission of Plans and Documents	130
20.3	Materials, Construction and Strength	130
20.4	Marking, etc.....	130
20.5	Tests and Inspection	130
Chapter 21	REMOVABLE CARGO HANDLING EQUIPMENT	133
21.1	General.....	133
21.2	Submission of Plans and Documents	133
21.3	Construction and Installations	133
21.4	Electrical Installations.....	134
21.5	Tests and Inspection	134
21.6	Maintenance and Inspection	135
Annex 2	GUIDANCE FOR DUAL FUEL BOILERS	136
Chapter 1	GENERAL	136
1.1	Scope	136
1.2	Equivalency	136
1.3	Drawings and Data	136
Chapter 2	CONSTRUCTION AND EQUIPMENTS OF DF BOILER	137
2.1	General.....	137
2.2	Construction and Arrangement.....	137
2.3	Burners	137
Chapter 3	CONTROL SYSTEMS AND SAFETY SYSTEMS	139
3.1	Control Systems.....	139
3.2	Safety Systems	139
Chapter 4	TESTS	141
4.1	Prototype Tests.....	141
4.2	Shop Tests	141
4.3	Tests after Installation On Board	141
4.4	Sea Trials	141
Annex 2A	GUIDANCE FOR GAS COMBUSTION UNITS	142
Chapter 1	GENERAL	142
1.1	Scope	142
1.2	Equivalency	142
1.3	Submission of Plans and Documents	142
Chapter 2	CONSTRUCTION AND EQUIPMENT OF <i>GCU</i>	143
2.1	General.....	143
2.2	Construction and Arrangement.....	143
2.3	Burners	143
Chapter 3	CONTROL SYSTEMS AND SAFETY SYSTEMS	145
3.1	Control Systems.....	145
3.2	Safety Systems and Alarm Systems	145
Chapter 4	TESTS AND INSPECTION	148
4.1	Prototype Tests.....	148
4.2	Shop Tests	148

4.3	Tests after Installation On Board	148
4.4	Gas Trials	148
Annex 5	GUIDANCE FOR THE EVALUATION OF THE ADEQUACY OF TYPE CTANK SYSTEMS	149
Chapter 1	GENERAL	149
1.1	Scope	149
1.2	Equivalency	149
1.3	Drawings and Data	149
Chapter 2	CRITERION OF EVALUATION	150
2.1	General.....	150
2.2	Procedures.....	150
2.3	Equations	151
2.4	Example of Procedures.....	153
Annex 6	NON-METALLIC MATERIALS	162
1	General	162
2	Material Selection Criteria	163
3	Properties of Materials	164
4	Material Selection and Testing Requirements	165
4.1	Material Specification	165
4.2	Material Testing	165
5	Quality Assurance and Quality Control (<i>QA/QC</i>)	169
5.1	General.....	169
5.2	<i>QA/QC</i> during Component Manufacture	169
6	Bonding and Joining Process Requirement and Testing	171
6.1	Bonding Procedure Qualification	171
6.2	Personnel Qualifications	171
7	Production Bonding Tests and Controls	172
7.1	Destructive Testing.....	172
7.2	Non-destructive Testing.....	172
Annex 7	STANDARD FOR THE USE OF LIMIT STATE METHODOLOGIES IN THE DESIGN OF CARGO CONTAINMENT SYSTEMS OF NOVEL CONFIGURATION	173
1	General	173
2	Design Format.....	174
3	Required Analyses.....	175
4	Ultimate Limit States.....	176
5	Fatigue Limit States	180
6	Accident Limit States	181
7	Testing.....	182

GUIDANCE FOR THE SURVEY AND CONSTRUCTION OF STEEL SHIPS

Part N SHIPS CARRYING LIQUEFIED GASES IN BULK

N1 GENERAL

N1.1 General

N1.1.5 Definitions

1 Cargo area

“Cargo area” extended by the requirements in 3.3.2, Part N of the Rules is, for example, as shown in Fig. N1.1.5-1.

2 Hazardous area

The electrical installation in “hazardous area” referred to in 1.1.5(23), Part N of the Rules is to comply with Chapter 10, Part N of the Rules.

3 Hold space

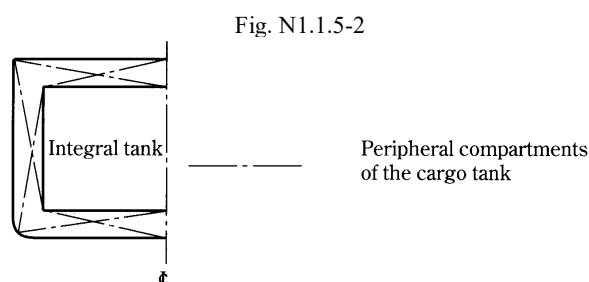
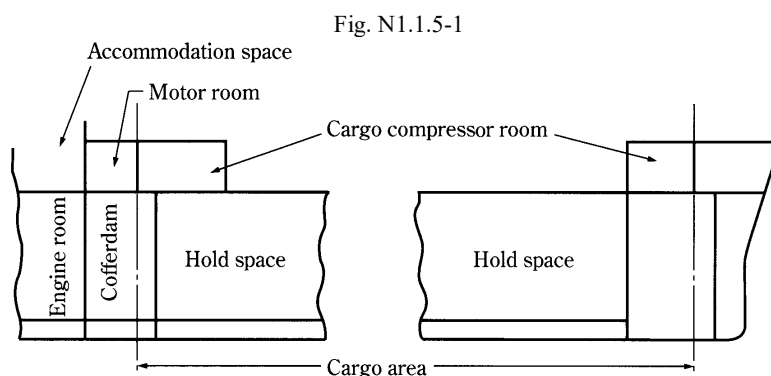
“Hold space” in the requirements in 1.1.5(25), Part N of the Rules includes the peripheral compartments of cargo tanks in the case of integral tanks. (See Fig. N1.1.5-2)

4 Independent

“Provisions available for the potential connection to other systems” referred to in 1.1.5(27), Part N of the Rules includes the blank flanges.

5 Interbarrier space

“Interbarrier space” referred to in 1.1.5(29), Part N of the Rules means the peripheral compartments of the cargo tanks in the case of integral tanks. (See Fig. N1.1.5-2)



N2 SHIP SURVIVAL CAPABILITY AND LOCATION OF CARGO TANKS

N2.1 General

N2.1.1 General

1 Reference is, to be made to the Guidelines for Uniform Application of the Survival Requirements of the Bulk Chemical Code and the Gas Carrier Code (*IMO MSC/Circ. 286*) for the damage stability calculation carried out to verify the compliance with survival requirements specified in **2.7, Part N of the Rules**.

2 In the damage stability calculation, no consideration may be taken for the evaporation of cargo in the intact cargo tanks due to failure of the thermal insulation located within the extent of damage.

N2.2 Freeboard and Stability

N2.2.2 Solid Ballast

1 In case where solid ballast is arranged under unavoidable reasons to ensure stability of the ship, the distance between such solid ballast and the cargo tank is standardized to be not less than 760 mm.

2 The solid ballast is to be of concrete blocks and similar materials which can be fitted securely to the hull structure of the ship. No solid ballast consisting of scrap iron in bulk, etc. is accepted.

N2.2.3 Stability Information

The items relating to the survival capability of the ship to be entered in the stability information specified in **2.2.3, Part N of the Rules** are to include, at least, the following (1) through (5):

- (1) Data relative to loading and distribution of cargo and ballast necessary to ensure compliance with damage survival requirements.
- (2) Data relative to the ship's survival capabilities.
- (3) Plan showing the damage control procedures (describing the locations of fittings necessary for the damage control such as closing appliances and valves, and list of instructions for their controls)
- (4) Data relating to the effects of free surface or liquid heeling moments of cargo tanks at all stages of filling.
- (5) Example calculations and standard blank forms to facilitate calculations (which are useful for verifying compliance with the survival requirements in an intact condition of the ship).

N2.2.4 Stability Instruments

1 The wording "performance standards recommended by the *IMO*" specified in **2.2.4-1, Part N of the Rules** refers to the following (1) to (3):

- (1) Chapter 4, Part B of *IMO resolution MSC.267(85) "International Code on Intact Stability, 2008 (2008 IS Code)"*
- (2) Section 4, Annex to "*Guidelines for the Approval of Stability Instruments*" (*MSC.1/Circ.1229*)
- (3) The technical standards provided in Part 1 of "*Guidelines for Verification of Damage Stability Requirements for Tankers*" (*MSC.1/Circ.1461*)

2 In applying the requirements in **2.2.4-4, Part N of the Rules**, reference is to be made to the operational guidance provided in Part 2 of "*Guidelines for Verification of Damage Stability Requirements for Tankers*" (*MSC.1/Circ.1461*).

N2.2.5 Conditions of Loading

To ensure the compliance with the survival requirements in **2.7, Part N of the Rules** for "all anticipated conditions of loading and variations in draught and trim" specified in **2.2.5, Part N of the Rules** at least one or combination of the following (1) to (3) are to be taken for the draught up to the tropical load line:

- (1) Carry out damage stability calculations for all anticipated conditions of loading.
- (2) Provide manual or calculating machine capable of carrying out the required damage stability calculations. When calculating machine is provided, suitable means of redundancy is to be provided for possible failure of the machine.
- (3) Provide diagrams permitting to verify compliance with the survival requirements on the basis of the data in intact condition

of the ship. (e.g. *KG* values)

N2.3 Damage Assumptions

N2.3.2 Other Damage

For the purpose of the requirements in 2.3.2-2, **Part N of the Rules**, the transverse bulkheads assumed to remain intact in the requirements in 2.6.1(4) to (6), **Part N of the Rules** may also be assumed that they remain free from local damages.

N2.4 Location of Cargo Tanks

N2.4.1 Location of Cargo Tanks

For the purpose of the requirements in 2.4.1, **Part N of the Rules**, the extent of damage is to be measured to the primary barrier.

N2.4.3 Suction Wells

The suction wells which comply with the requirements in 2.4.3, **Part N of the Rules** are not to be installed less than the distance “*d*” specified in 2.4.1, **Part N of the Rules** from the shell plating.

N2.5 Flooding Assumptions

N2.5.1 General

1 Conditions that are anticipated to cause more severe results are to be selected of all anticipated conditions of loading, and consideration is to be given to the following (1) through (8) in making calculation according to 2.5.1, **Part N of the Rules**:

- (1) Tanks in way of the assumed damage filled with liquid at increments of about 25% between empty and the maximum weight of liquid, or liquids, intended to be carried in the particular tanks under consideration.
- (2) The distribution of liquids in the adjacent tanks concerned which will give the most severe result, taking trim into account.
- (3) A number of draughts over the operating range, up to and including the tropical freeboard mark. The fresh water freeboards need not be considered.
- (4) The effect of damage involving the machinery space and adjacent tanks containing liquids over a number of draughts as in (3).
- (5) The ship in either the departure or the arrival condition, whichever will give the most severe result.
- (6) The ship without trim and a sufficient number of trims covering the operating range, in order to permit interpolation.
- (7) Where the assumed damage causes the ship to trim by the stern, condition having the largest allowable trim by the stern, consistent with operational requirements.
- (8) Where the assumed damage causes the ship to trim by the bow, condition having the largest allowable trim by the bow, consistent with operational requirements.

2 The free surface effects of intact cargo tanks in the damage stability calculation are to be computed for the actual angle of heel caused by assumed damage and for each angle of heel within the stability limit.

3 In calculating the effect of free surface of consumable liquids, it is to be assumed that, for each type of liquid, at least one transverse pair or a single centreline tank has maximum free surface, and the tank or combination of tanks to be taken into account are to be those where the effect of free surfaces is the greatest; in each tank the centre of gravity of the contents is to be taken at the centre of volume of the tank. The remaining tanks are to be assumed either completely empty or completely filled, and the distribution of consumable liquids among these tanks is to be such as to obtain the greatest possible height above the keel for the centre of gravity.

4 In calculating free surface effects given in the preceding -3, the requirements specified in the preceding -2 are to be complied with.

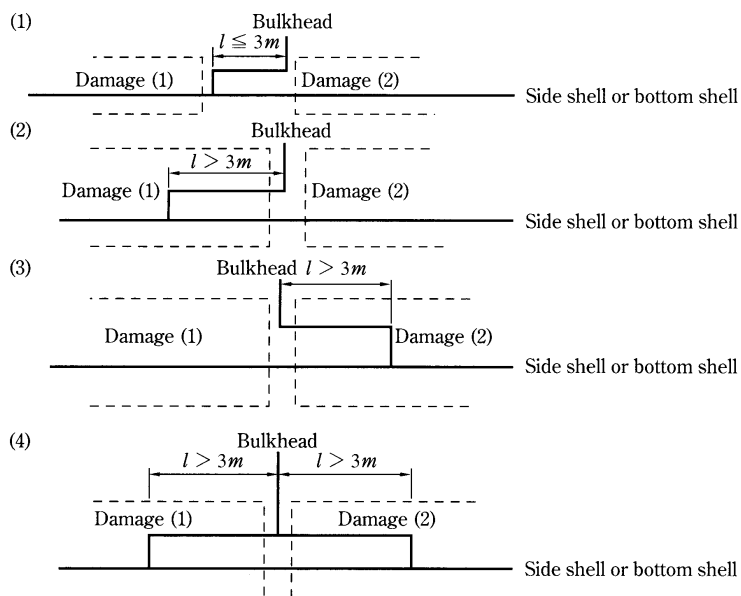
N2.5.2 Permeability

For the purpose of the requirements in 2.5.2, **Part N of the Rules**, the Society may approve a lesser permeability in consideration of volume of the insulations etc. provided within the compartment.

N2.5.4 Damage of Transverse Bulkheads

In applying the requirements for damage of transverse bulkhead specified in 2.5.4, **Part N of the Rules**, the extent of damage when the transverse bulkhead is stepped or recessed, are for example, as shown in Fig. N2.5.4.

Fig. N2.5.4



N2.5.6 Equalization Arrangements

1 The equalization arrangements specified in 2.5.6, Part N of the Rules are to be made operable from a readily accessible place in the damaged condition before using the equalization arrangement.

2 The righting arm curve of the ship without using the equalization arrangement referred to in the preceding -1 is to be determined in accordance with the requirements in 2.5.3, Part N of the Rules, but calculation in this case is to be made assuming that the cross-levelling pipe is closed or this equalization arrangement is not effectively functioning.

3 The cross sectional area of the cross-levelling pipe used for the equalization arrangement referred to in the preceding -1 is to satisfy the value obtained from the following equation:

$$A \geq 7.5 \frac{V}{\sqrt{H}} (cm^2)$$

where:

A : cross sectional area of cross-levelling pipe (cm^2)

V : estimated flooding volume in flooded compartment (cm^3)

H : height from the draught line before flooding to the centre line of pipe (m)

4 "Ducts of large cross-sectional area" referred to in 2.5.6, Part N of the Rules are to satisfy both of the following equations:

$$A \geq 150 \frac{V}{\sqrt{H}} (cm^2)$$

$$A \geq 2Sh (cm^2)$$

where:

V : value obtained by the preceding -3

H : height obtained by the preceding -3 to the centre of duct

S : frame distance (cm). However, in case of longitudinal framing system, S may be obtained from the following equation but not to be less than 61 cm :

$$S = 45 + 0.2L_f (cm)$$

$$h = B/15 (cm)$$

N2.5.7 Progressive Flooding

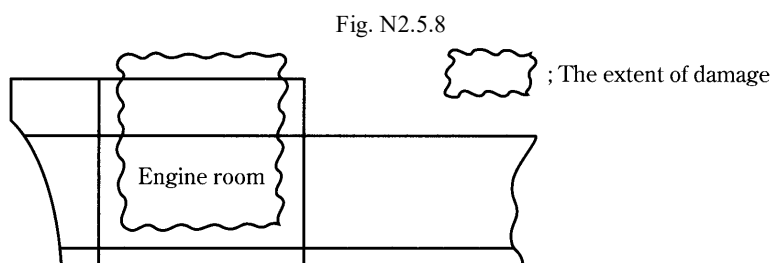
The "arrangements are to be such that progressive flooding cannot thereby extend" referred to in the requirements in 2.5.7, Part N of the Rules may be such as a stop valve operable from the exposed deck and accommodation space, etc. provided outside the extent of damage. In this case, any part of operating systems is to effectively function for assumed damage.

N2.5.8 Buoyancy of Superstructures

1 For the purpose of 2.5.8, Part N of the Rules, the longitudinal extent of damage to superstructures above a machinery space

located aft is to be the same as the longitudinal extent of the side damage to the machinery space specified **2.6.1, Part N of the Rules**. (See **Fig. N2.5.8**)

2 The sliding watertight doors specified in **2.5.8(2), Part N of the Rules** are to satisfy the requirements of **2.2.2, Part 1, Part C of the Rules**, unless otherwise specified in this chapter and to be remotely operable from a readily accessible place in case of damage. Further, the openings of weathertight accepted within the minimum range of residual stability are to be capable of being securely closed at final equilibrium.



N2.6 Standard of Damage

N2.6.1 General

1 For the purpose of the standard of damage specified in **2.6.1, Part N of the Rules**, damage assumed to have sustained within $0.3L_f$ or thereabout from the stem are to be in accordance with the following requirements (1) and (2):

- (1) For bottom damage for $0.3L_f$ from the forward perpendicular and afore (according to **Table N2.2, Part N of the Rules**), such damage may not be considered beyond the point of $0.3L_f$ from the forward perpendicular.
- (2) For cases of bottom damage which is applied to damage sustained in areas after the point of $0.3L_f$ from the forward perpendicular (according to **Table N2.2, Part N of the Rules**), such damage is to be considered up to the point corresponding to $0.3L_f - 1/3L_f^{2/3}$ or $0.3L_f - 14.5 m$, whichever is greater, from the forward perpendicular.

N2.7 Survival Requirements

N2.7.1 Survival Requirements

1 For the purpose of the requirements of **2.7.1-2(1), Part N of the Rules**, openings specified in the following (1), (2) and (3) may be regarded as watertight flash deck openings.

- (1) Openings protected by tank covers with strength equivalent to deck plating.
- (2) Openings for cargo containment systems on the weather decks sealed with effectively packing of non-combustible material complied with the requirements in **3.2.33, Part R of the Rules** or equivalent and of sufficient strength.
- (3) Sounding pipe with closing head.

2 The “remotely operated watertight sliding doors” referred to in **2.7.1-2(1), Part N of the Rules** are such doors satisfying the requirements of **2.2.2, Part 1, Part C of the Rules**, unless otherwise specified in this chapter.

3 For the purpose of **2.7.1-3(1), Part N of the Rules**, openings capable of being closed weathertight whose immersion are accepted within the required range of residual stability are to be closed securely at final equilibrium after flooding. Openings which are unable to be closed by remote control are to be provided at the place readily accessible at the final equilibrium. However, the requirement may not apply to float type airpipes with automatic closing systems in water.

4 In applying the requirements of **2.7.1-3(1), Part N of the Rules**, “other openings capable of being closed weathertight” do not include ventilators provided with weathertight closing appliances in accordance with the requirements of **14.12.3.1-3, Part 1, Part C of the Rules** or **21.6.5-2, Part CS of the Rules** that for operational reasons have to remain open to supply air to the engine room or emergency generator room (if the same is considered buoyant in the stability calculation or protecting openings leading below) for the effective operation of the ship.

N3 SHIP ARRANGEMENTS

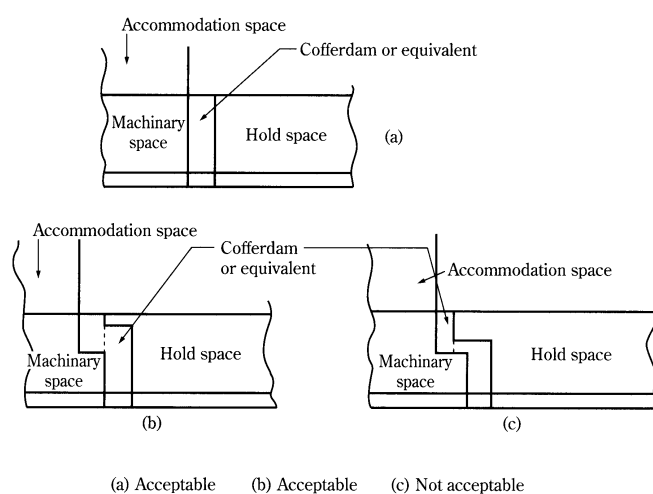
N3.1 Segregation of the Cargo Area

N3.1.1 Segregation of the Hold Space

1 “Hold spaces are to be located forward of machinery spaces of category *A*” referred to in **3.1.1, Part N of the Rules** means to be located forward of the forward bulkhead (including the stepped or recessed portions) in machinery spaces of category *A*. (See **Fig. N3.1.1**)

2 For the purpose of the requirements in **3.1.1, Part N of the Rules**, hold spaces are neither to be located forward of the collision bulkhead nor aftward of the aft peak bulkhead.

Fig. N3.1.1



N3.1.2 In case of a Cargo Containment System Not Requiring a Complete or Partial Secondary Barrier

1 “If there is no source of ignition or fire hazard” referred to in the requirements in **3.1.2, Part N of the Rules** means those compartments such as ballast tanks, fresh water tanks, cofferdams, fuel oil tanks, cargo service spaces where there is no source of ignition and is not normally entered by persons, cargo pump rooms and cargo compressor rooms, etc.

2 The packing used for bolted watertight manholes fitted on the boundaries of ballast tanks, cofferdams, fuel oil tanks, which are required to be segregated by single *A-0* class divisions, may not be of non-combustible material.

N3.1.3 In case of a Cargo Containment System Requiring a Complete or Partial Secondary Barrier

“If there is no source of ignition or fire hazard” referred to in the requirements in **3.1.3, Part N of the Rules** means the compartments specified in **N3.1.2-1**.

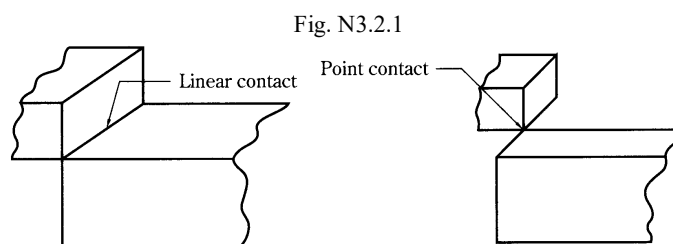
N3.1.7 Openings for Cargo Containment System

“Arrangements for sealing the weather decks in way of openings for cargo containments systems” referred to in **3.1.7, Part N of the Rules** means the arrangements complying with the requirements in **14.6.1, 14.6.2, and 14.6.3, Part 1, Part C of the Rules**.

N3.2 Accommodation, Service and Machinery Spaces and Control Stations

N3.2.1 Segregation of Hold Spaces Requiring a Secondary Barrier

“To be so located as to avoid the entry of gas from the hold space to such spaces through a single failure of a deck or bulkhead” referred to in **3.2.1, Part N of the Rules** means that boundaries of the compartment are so arranged as not to make linear contact or point contact with hold spaces. (See **Fig. N3.2.1**)



N3.2.2 Location of Air Intakes and Openings

Compliance with the requirements in [3.2.4](#), [3.8.4](#), [8.2.11](#) and [12.1.5, Part N of the Rules](#) would also ensure compliance with the requirement in [3.2.2](#). Air outlets are subject to the same requirements as air inlets and air intakes.

N3.2.4 Arrangements of Entrances, Air Inlets and Openings

1 “Windows and sidescuttles..... they are so designed that a rapid and efficient gas and vapour tightening of the wheelhouse can be ensured” referred to in [3.2.4-2, Part N of the Rules](#) means those fitted with packing and clamping devices. These windows and sidescuttles are to be subject to hose tests or other suitable tests acceptable to the Society to verify their gas-tightness.

2 In case where clear view screens are provided in wheelhouse within the restricted area specified in [3.2.4-1, Part N of the Rules](#), additional clamping devices are to be provided to the clear view screen or alternative arrangement of closing the window to make it gastight when the screen is not in rotating motion is to be made.

3 The requirements in [3.2.4, Part N of the Rules](#) may not apply to ships dedicated to the carriage of cargo which require neither (*F*) nor (*T*) in column “*f*” of [Table N19.1 in Chapter 19, Part N of the Rules](#).

4 In cases where it is impossible or impractical to satisfy the requirements specified in [3.2.4, Part N of the Rules](#), entrances, air inlets and openings facing cargo areas may be provided subject to no sources of ignition in a hazardous area as defined in [1.1.5\(23\), Part N of the Rules](#). In such cases, explosion-protected electrical equipment complying with *IEC* 60092-502 is not regarded as a source of ignition.

N3.2.6 Closing Devices of Air Intakes, Outlets and Other Openings

1 The closing devices that need not be operable from within the single spaces may be located in centralized positions.

2 Engine-room casings, cargo machinery spaces, electric motor rooms and steering gear compartments are generally considered as spaces not covered by [3.2.6, Part N of the Rules](#) and, therefore, the requirement for closing devices need not be applied to these spaces.

3 The closing devices are to give a reasonable degree of gas tightness. Ordinary steel fire-flaps without gaskets/seals are not to be considered satisfactory.

4 Regardless of this interpretation, the closing devices are to be operable from outside of the space (*see* [5.2.1-1, Part R of the Rules](#)).

N3.3 Cargo Machinery Spaces and Turret Compartments

N3.3.1 Location

1 For the purpose of the requirements in [3.3.1, Part N of the Rules](#), where cargo machinery spaces are permitted to be fitted at the after end of the aftermost hold space or at the forward, the arrangements are, for example, as shown in [Fig. N3.3.1-1](#).

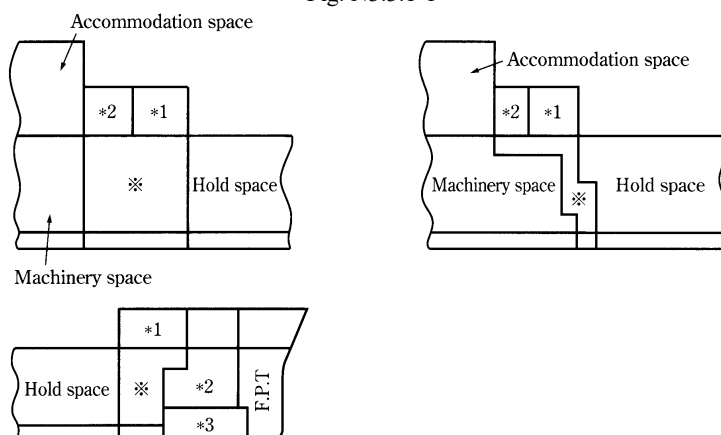
2 For the purpose of the requirements in [3.3.1, Part N of the Rules](#), the requirements in [4.5.10, Part R of the Rules](#) do not apply.

N3.3.2 Extension of the Limits of the Cargo Area

The compartments within the cargo area extended according to the requirements in [3.3.2, Part N of the Rules](#) may not be regarded as hazardous area as far as the following requirements (1) and (2) are complied with. (*See* [Fig. N3.3.2-1](#)) However, consideration is to be given to the requirements in [3.3.3, Part N of the Rules](#).

- (1) The access holes and air vents to the compartment are to have no openings to hazardous areas.
- (2) The compartment is not to fall under any compartments specified in [4.2.3-3](#) and [-4, Part H of the Rules](#).

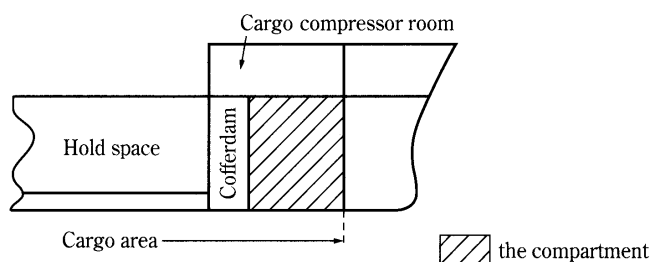
Fig. N3.3.1-1



Notes:

- *1: Cargo machinery space
- *2: Motor room
- *3: Bow thruster room
- ※: It may be ballast tanks or void spaces as well as cofferdams or fuel oil tanks

Fig. N3.3.2-1



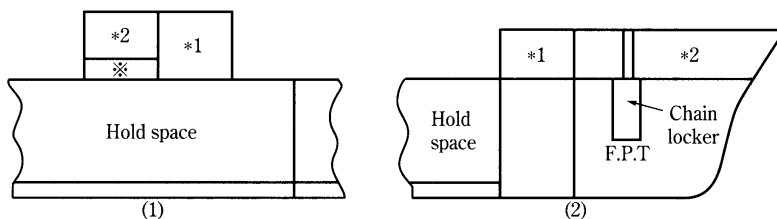
N3.3.3 Bulkheads of the Cargo Machinery Spaces

The requirements in 3.3.3, Part N of the Rules are also to apply to cases where cargo area is not extended according to the requirements in 3.3.2, Part N of the Rules.

N3.3.4 Cargo Compressors and Cargo Pumps

- 1 Shaft seals such as those manually feeding grease periodically are not considered as ensuring “effective gastight segregation of the two spaces” referred to in 3.3.4, Part N of the Rules.
- 2 The shaft seals required in 3.3.4, Part N of the Rules are to be provided outside cargo pump rooms and cargo compressor rooms.
- 3 The arrangement of motor rooms housing electric motors driving cargo pumps and cargo compressors referred to in 3.3.4, Part N of the Rules is to be as, for example, shown in Fig. N3.3.4(1). If the arrangement can not be complied with the above requirement in case of such as a small ship, it may be as, for example, shown in Fig. N3.3.4(2), where the openings of compartments such as chain lockers considered as the source of ignition are provided in the motor rooms, however, the openings are to be closed by steel watertight covers fitted with warning signs stating that “the openings are to be always kept closed. If opened, the motor room is to be sufficiently ventilated.”
- 4 The “motor rooms” referred to in the -3 above is to be arranged in a non-hazardous area.

Fig. N3.3.4



Notes:

*1: Cargo pump and cargo compressor room

*2: Motor room

※: Cofferdam. It is to be needed for the hold space having secondary barrier.

N3.3.6 Drainage

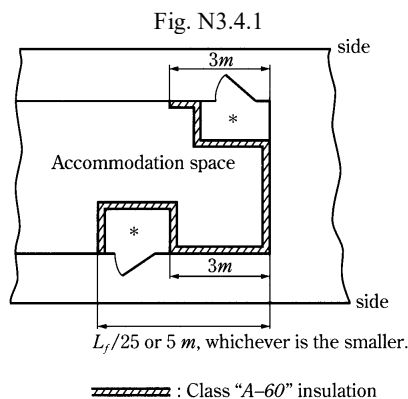
Drain plugs provided on the casing walls of the compartment for draining onto the exposed deck may be accepted, as the “Suitable arrangements..... to deal with drainage” referred to in **3.3.6, Part N of the Rules**.

N3.4 Cargo Control Rooms

N3.4.1 Location

1 The boundaries where *A-60* class insulation is required according to the requirements in **3.4.1(3), Part N of the Rules** are to be as, for example, shown in **Fig. N3.4.1**. The ceilings and floors of the cargo control room, asterisked in the drawing, are also to be applied with *A-60* class insulation.

2 The above requirements -1 applies to other compartments (safety equipments locker, cargo equipment locker, etc.) than cargo control rooms, whose entrances, air inlets and openings are not applicable to the requirement of **3.2.4, Part N of the Rules**, too.



N3.4.3 Source of Ignition

For the purpose of the requirements in **3.4.3, Part N of the Rules**, the electrical installations in the cargo control room are to comply with the requirements in **10.2.3** and **10.2.4, Part N of the Rules** depending on the location of the room. The cargo control room is to be provided with mechanical ventilation complying with the requirements in **12.1, Part N of the Rules**.

N3.5 Access to Spaces in the Cargo Area

N3.5.2 Access for Inspection of Insulation

1 According to the requirements in **3.5.2, Part N of the Rules**, neither visual inspection may be required on one side of the insulation in hold spaces of membrane tanks and semi-membrane tanks nor apply the requirements in **3.5.3, Part N of the Rules**.

N3.5.3 Access to Hold Spaces, etc.

1 With respect to the provisions of **3.5.3(1)(b), Part N of the Rules**, the minimum clear opening of $600\text{ mm} \times 600\text{ mm}$ may have

corner radii up to 100 mm maximum. In such a case where as a consequence of structural analysis of a given design the stress is to be reduced around the opening, it is considered appropriate to take measures to reduce the stress such as making the opening larger with increased radii, e.g. 600 mm × 800 mm with 300 mm radii, in which a clear opening of 600 mm × 600 mm with corner radii up to 100 mm maximum fits. (See Fig. N3.5.3-1)

2 With respect to the provisions of 3.5.3(1)(c), Part N of the Rules, the minimum clear opening of not less than 600 mm × 800 mm may also include an opening with corner radii of 300 mm. (See Fig. N3.5.3-1) An opening of 600 mm in height × 800 mm in width may be accepted as access openings in vertical structures where it is not desirable to make large opening in the structural strength aspects, i.e. girders and floors in double bottom tanks.

3 With respect to the provisions of 3.5.3(1)(c), Part N of the Rules, subject to verification of easy evacuation of injured person on a stretcher the vertical opening 850 mm × 620 mm with wider upper half than 600 mm, while the lower half may be less than 600 mm with the overall height not less than 850 mm is considered an acceptable alternative to the traditional opening of 600 mm × 800 mm with corner radii of 300 mm as, for example, shown in Fig. N3.5.3-2.

4 With respect to the provisions of 3.5.3(1)(c), Part N of the Rules, if a vertical opening is at a height of more than 600 mm steps and handgrips are to be provided. In such arrangements it is to be demonstrated that an injured person can be easily evacuated.

5 The requirements of 3.5.3(1)(b) and (c), Part N of the Rules do not apply to spaces separated from hold spaces for independent tanks not requiring a secondary barrier.

Fig. N3.5.3-1 Opening Details

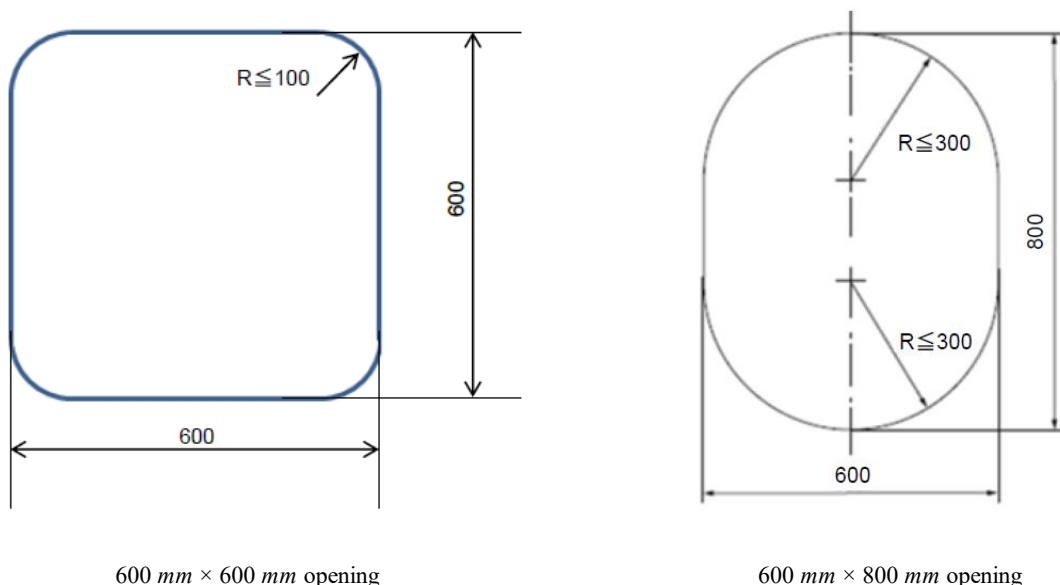
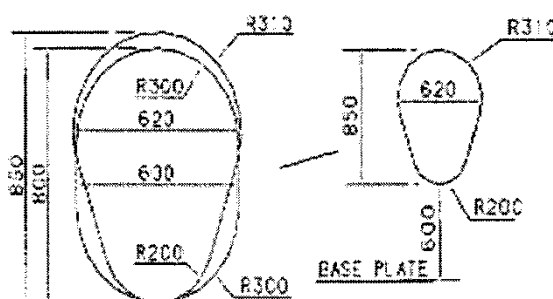


Fig. N3.5.3-2 Example of vertical opening



N3.5.4 Access to Non-hazardous Areas

“Open weather deck” referred to in the requirements of 3.5.4, Part N of the Rules means the exposed part of the uppermost continuous deck within the cargo area.

N3.6 Airlocks**N3.6.1 Location of Gastight Doors**

For the purpose of the requirements in **3.6.1, Part N of the Rules**, the steel doors for air-lock are to be verified for their gastightness by hose tests or other means considered appropriate by the Society, as necessary.

N3.6.2 Design and Arrangement of the Ventilation

“recognized standards acceptable to the Society” referred to in the requirements in **3.6.2, Part N of the Rules** means *IEC 60092-502:1999*.

N3.6.4 Maintenance of Overpressure in the Protected Space

For the purpose of the requirements in **3.6.4, Part N of the Rules**, maintenance of overpressure in spaces protected by airlocks is to be by the pressure differential sensing devices provided within the compartment, but alternatively, either of the following method **(1)** or **(2)** may be employed:

- (1) The following means are considered acceptable alternatives to differential pressure sensing devices in spaces having a ventilation rate not less than 30 air changes per hour:
 - (a) monitoring of current or power in the electrical supply to the ventilation motors; or
 - (b) air low sensors in the ventilation ducts.
- (2) In spaces where the ventilation rate is less than 30 air changes per hour and where one of the means specified in the **(1)** above is fitted, in addition to the alarms required by **3.6.3, Part N of the Rules**, the arrangements are to be made to de-energize electrical equipment which is not of the certified safe type, if more than one air-lock door is moved from the closed position.

N3.6.5 Electrical Equipment in the Protected Space

For the purpose of the requirements in **3.6.5, Part N of the Rules**, **electrical equipment of certified safe type is to be selected in accordance with the classification of hazardous areas adjoining to airlock spaces, gas and vapour.**

N3.7 Bilge, Ballast and Oil Fuel Arrangements**N3.7.1 Drainage Arrangements Not Requiring a Secondary Barrier**

1 For the purpose of the requirements in **3.7.1, Part N of the Rules**, the drainage arrangements of hold spaces are to be of bilge pumps and bilge pipings provided within the cargo area complying with the requirements in **13.5, Part D of the Rules**, or to be of bilge suction system by eductors. In the case of bilge eductors, those capacity and arrangement are to comply with the requirements in **13.5.4-2, Part D of the Rules**.

2 Where eductors are provided in accordance with the **-1** above, stop valves are to be provided in driving water lines at the aft end of the cargo area, and the branch lines of the driving water line are to be fitted with screw-down check valves.

3 For the purpose of the requirements in **3.7.1, Part N of the Rules**, means to detect gas leakage in hold spaces, when the hold spaces are not inerted, may be of sounding pipes specified in **13.8, Part D of the Rules**. When hold spaces are inerted, the requirements in **N3.7.2** are to be complied with.

N3.7.2 Drainage Arrangements Requiring a Secondary Barrier

For the purpose of the requirements in **3.7.2, Part N of the Rules**, the drainage arrangements of hold spaces are to comply with the requirements in **N3.7.1-1** and **-2**. The means of detecting gas leakage in hold spaces is to be of the level alarm system of closed type complying with the requirements in **13.2.3(3), Part N of the Rules**. In case where the sounding pipes are provided together with gas leakage detector, an automatic closing head is to be fitted at the each of upper end of the sounding pipes.

N3.7.3 Drainage System of Interbarrier Spaces

For the purpose of the requirements in **3.7.3, Part N of the Rules**, the drainage arrangements for dealing with any leakage into the hold or interbarrier spaces are to comply with the following requirements **(1)** through **(3)**:

- (1) In case where estimation of leakage of liquid cargo is not carried out, the capacity of the drainage arrangements is to comply with the requirements in **13.5, Part D of the Rules**.
- (2) The drainage arrangements to deal with the leaked cargo may commonly serve as those required in **3.7.2, Part N of the Rules**.
- (3) The piping system of the drainage arrangements of leaked cargo is to comply with the requirements in **Chapter 5, Part N of the Rules**. The water-driven eductor is not accepted as such arrangement.

N3.7.5 Connection to Pumps in the Machinery Spaces

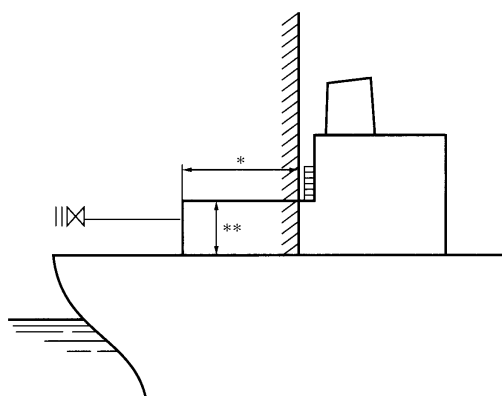
The requirement relating to pump vents of **3.7.5-3, Part N of the Rules** applies only to pumps in the machinery spaces led to ballast tanks, fuel oil tanks and non-hazardous spaces.

N3.8 Bow and Stern Loading and Unloading Arrangements

N3.8.4 Arrangements of Entrance, Air Inlets and Openings

For the purpose of application of the requirements in **3.8.4, Part N of the Rules**, the arrangements of air inlets and openings are, for example, not to be provided within the shadowed range in **Fig. N3.8.4**.

Fig. N3.8.4



Notes:

* = $L/25$ or 3 m , whichever is the greater, but need not exceed 5 m .

** = To be of the standard height of superstructure, prescribed in the 1966 International Load Line Convention or more.

N4 CARGO CONTAINMENT

N4.3 Functional Requirements

N4.3.2 Environmental Condition

The standard used for the “North Atlantic environmental conditions and relevant long-term sea state scatter diagrams” referred to in the requirements in **4.3.2, Part N of the Rules** is to be IACS Recommendation No. 34 “Standard Wave Data”.

N4.3.5 Corrosion Allowances, etc.

1 The corrosion allowance “where there is no environmental control around the cargo tank, such as inerting” referred to in the requirements in **4.3.5, Part N of the Rules**, in the case of steel, is to be 1 mm. Except for tanks carrying cargoes containing considerable amounts of impurities or corrosive substances such as chlorine and sulfur dioxide, no corrosion allowance may be required for aluminum alloys and stainless steel.

2 For the purpose of the requirements in **4.3.5, Part N of the Rules**, no corrosion allowance may be required for the internal surface of pressure vessels including the type C independent tank except for the case where corrosive substances are to be loaded. For the exterior surface where there is no environmental control around the cargo tank such as inerting or where there is no protection by suitable insulation materials having the approved vapour barrier, the corrosion allowance for steel is to be the smaller of 1 mm or 1/6 of the required thickness excluding the corrosion allowance. Paint or other thin coatings are not to be credited as protection.

3 In case where no corrosion allowance is considered for cargo tanks protected by insulation according to the requirements in **4.3.5, Part N of the Rules**, the air-tightness of the vapour barrier of insulation structure is to have been verified. This air-tightness is to be verified in the test of insulation specified in the requirements in **4.19.3, Part N of the Rules**.

N4.3.6 Inspection/Survey Plan

With respect to the wording “An inspection/survey plan for the cargo containment system” specified in the requirements in **4.3.6, Part N of the Rules**, reference is to be made to the special requirements for ships carrying liquefied gases in bulk specified in **Chapters 3 to 5, Part B of the Rules** as applicable to surveys for cargo containment systems in addition to requirements specified in this Part.

N4.5 Secondary Barriers in relation to Tank Types

The conditions for approving partial secondary barrier for the semi-membrane tanks specified in Note 2 of **Table N4.1**, in **4.5, Part N of the Rules** are to be in accordance with the following (1) through (6):

- (1) Detailed stress analysis is to be carried out. Wave loads as the design load are to be assumed in details according to the requirements in **4.14.1, Part N of the Rules**. The results of stress analysis are to be verified for the accuracy by measuring the stresses at time of pressure tests on a real ship or model test.
- (2) The results of stress analysis under the requirements in the preceding (1) are not to exceed the allowable stress specified in the requirements in **4.22.3-1(1), Part N of the Rules**.
- (3) The requirements in **N4.22.2(6), (7) and (9)** are to be complied with.
- (4) Cargo tanks are to be subjected to buckling analysis depending on their structural type whereby it is to be verified that they have sufficient strength against buckling.
- (5) Repair procedures for cargo tanks are to be established. On the fatigue strength and crack propagation analysis in case such repair procedures have been applied, assessments are to be carried out by applying the requirements in **N4.22.2(6) and (7)** correspondingly.
- (6) The hull structure adjacent to cargo tanks is to be subjected to strength analysis compatible with the case of cargo tanks. In addition to carrying out detailed stress analysis by the method of which accuracy has been verified by stress measurements, etc., it is to be verified that the strength is sufficient through the fatigue strength analysis and crack propagation analysis done by applying the requirements in **4.22.4, Part N of the Rules** correspondingly.

N4.6 Design of Secondary Barriers**N4.6.1 Hull Structure Acting as a Secondary Barrier**

1 For the purpose of requirements in **4.6.1(2), Part N of the Rules**, thermal stress analysis is to be carried out for the calculation condition in case of cargo leakage specified in the requirements in **4.19.1(1) and (2), Part N of the Rules**.

2 The combined stress of the maximum membrane stress or the maximum bending stress obtained in the analysis of the preceding -1 and the static stress created by the static load specified in the requirements in **4.13, Part N of the Rules** is not to exceed 90% of the yield stress of the material.

3 In the ship designed under the same design temperature and loading conditions of similar ships where it is verified that the thermal stress is sufficiently small, the Society may accept omission of the analysis referred to in the preceding -1.

N4.6.2 Standards of Secondary Barrier

1 For the purpose of the requirements in **4.6.2, Part N of the Rules**, the secondary barriers of non-metal material are to conform to the following requirements (1) to (3):

- (1) Compatibility with the cargo is to have been verified, and to have necessary mechanical properties at the cargo temperature under the atmospheric pressure.
- (2) A model test may be required to prove that the secondary barrier has effective performance when the Society deems it necessary.
- (3) For welded joints, welding procedure tests and production test are to be conducted. The test plans for the above are to have been approved by the Society beforehand.

2 For the purpose of the requirements in **4.6.2(1), Part N of the Rules**, no special analysis of the complete secondary barrier for verifying that “it is capable of containing any envisaged leakage of liquid cargo for a period of 15 days” may be carried out except for cases where the Society deems it specially necessary.

3 In principal, Openings such as manholes are not to be provided in secondary barriers.

4 For the purpose of the requirements in **4.6.2(4), Part N of the Rules**, the test procedure where visual inspection of the secondary barrier is not possible is to be in accordance with the following requirements (1) to (3):

- (1) The inspection method of the secondary barrier and its criteria relating to the performance to act as the secondary barrier are to be verified for their effectiveness through model test.
- (2) The secondary barrier is to be verified by model test for the required performance. This model test is to be capable of verifying that the secondary barrier can maintain the necessary performance throughout the life of the ship.
- (3) When sufficient data to prove the effectiveness and reliability relative to the preceding (1) and (2) are submitted to the satisfaction of the Society, this model test may be omitted.

5 For the purpose of the requirements in **4.6.2(6), Part N of the Rules**, the extent of the secondary barrier is, at least, to cover the surface of leaked liquid cargo corresponding to a static heel angle of 30°.

6 The “surface of leaked liquid cargo” referred to in the preceding -5 means a surface of fully leakage of fully loaded cargo for the complete second barrier, and of liquid cargo determined in accordance with the requirements in **4.7.2, Part N of the Rules** for the partial secondary barriers.

7 For spaces outside the extent of the secondary barriers specified in the preceding -5, the hull structures are to be protected against splashes of leaked cargo by the spray shields specified in the requirements in **4.7.1, Part N of the Rules**, or the extent of the secondary barrier is to be suitably extended.

N4.7 Partial Secondary Barriers and Primary Barrier Small Leak Protection System**N4.7.1 General**

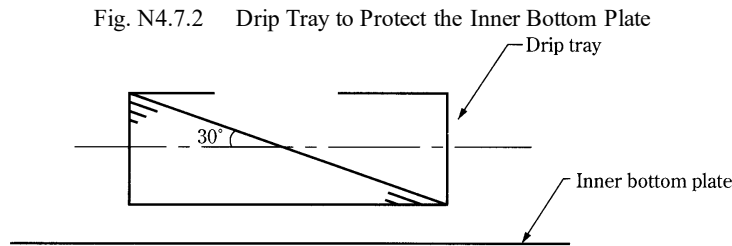
The spray shield specified in the requirements in **4.7.1, Part N of the Rules** is to have been verified by test that it has satisfactory performance to act as the shield.

N4.7.2 Partial Secondary Barriers

For the purpose of the requirements in **4.7, Part N of the Rules**, the protection of the inner bottom plating at the lower part of cargo tanks is to conform to the following requirements (1) and (2):

- (1) According to the requirements in **4.6.1, Part N of the Rules**, the inner bottom plating is to act as the secondary barrier.

- (2) In case where a drip tray is provided as a secondary barrier for example as shown in **Fig. N4.7.2**, with consideration so as not to allow the leaked liquid cargo to overflow from the secondary barrier, no protection may be required. However, where no such consideration is taken, the inner bottom plating is to be protected by insulation materials.



N4.8 Supporting Arrangements

N4.8.1 General

1 In spaces between the refrigerated tanks and supports, suitable insulation materials are to be provided so that hull structure might not be cooled excessively through the supporting structures according to the requirement of **4.10.1, Part N of the Rules**.

2 The analysis of supporting structures against the load conditions specified in the requirements in **4.13.9** and **4.14.1, Part N of the Rules** is to be done while giving considerations to the following conditions (1) and (2):

- (1) A condition where static load by the weight of cargo tank containing the cargo at a static heel angle of 30° and the static sea water pressure without dynamic pressure due to waves is imposed.
 - (2) A condition where load by the weight of cargo tank containing the cargo with the acceleration caused by ship motions specified in the requirements in **4.14.1, Part N of the Rules** and the dynamic sea water pressure due to waves are imposed. Such dynamic sea water pressure due to waves may be determined by the requirements in **4.6, Part 1** and **4.3, Part 2-9, Part C of the Rules**.
- 3 The results of analysis for the conditions indicated in the preceding -2 are not to exceed the allowable stress determined depending upon the type of cargo tank. Further, sufficient safety factor against the critical buckling stress is to be considered.

N4.13 Functional Loads

N4.13.2 Internal Pressure

For the purpose of the requirements in **4.13.2-2, Part N of the Rules**, when a design vapour pressure either higher or lower than 45°C is employed, the ambient temperature is to be of the highest atmospheric temperature of the sea area which is the permanent trade area of the ship obtained from the weather data covering a long period.

N4.13.4 Thermally Induced Loads

1 For the purpose of the requirements in **4.13.4-1, Part N of the Rules**, arrangements for cooling down are to be provided so as not to cause excessive stress on the tank structures.

2 The arrangements shown in the preceding -1 are to be such that safety in cooling down using the arrangements has been proved by records of cargo tanks of similar design or cooling down operation is performed at a rate not exceeding the safe temperature reduction curve which has been proved by thermal stress analysis.

3 The installations shown in the preceding -1 are to be also capable of performing cooling down at time when excessive thermal loads may be anticipated due to splashing of the residual cargo liquid in ballast passage of the ship under heavy weather as well as at time of cargo loading.

4 For the purpose of the requirements in **4.13.4-2, Part N of the Rules**, no thermal stress analysis may be required for cargo tanks with design temperature of -10°C or upward, in general. In cargo tanks with design temperature at -55°C or below, the structural strength is to be verified through thermal stress analysis by taking into account the vertical temperature distribution at time of cooling down and partial cargo loading, and when necessary, the temperature distribution in the direction of the plate thickness of plating of full loaded tanks.

5 For tanks other than those specified in the preceding -4, the Society may request thermal stress analysis of the cargo tank by taking into account the constraining condition of the cargo tank by tank supporting structure in case where the tank supporting system

is special, and thermal analysis in consideration of the effect of materials with different coefficients of thermal expansion in case where such materials are used.

6 In the cases referred to in the preceding -4 and -5 where the type of tank supporting system is special, the Society may request thermal analysis on the tank supporting structure itself.

N4.13.5 Vibration

For the purpose of the requirements in 4.13.5, Part N of the Rules, the cargo tank plates and stiffeners are to have such scantlings as not to be caused harmful effects by resonance with the vibrations of exciting sources such as propeller and main engine. The natural frequencies of the cargo tanks and stiffeners used in the above assessment are to be the minimum values in a state in contact with cargo liquid.

N4.13.8 Test Loads

1 For the purpose of the requirements in 4.13.8, Part N of the Rules, in the case of type B and C independent tanks, that their stress levels under the pressure tests are to be confirmed that they are within the stress range specified in the 4.22.6 and 4.23.6, Part N of the Rules.

2 The cargo tanks other than those indicated in the preceding -1, are to be verified in strength undergoing the enough analysis required for each tank type in considering the internal pressure distribution at the time of the pressure test. However, when the detailed analysis is carried out, the preceding -1 may apply.

N4.13.9 Static Heel Loads

For the purpose of the requirements in 4.13.9, Part N of the Rules, the added mass due to hull damage or flooding may not be considered.

N4.14 Environmental Loads

N4.14.1 Loads due to Ship Motion

The “ships for restricted service” referred to in 4.14.1-5, Part N of the Rules means those ships with notations “Coasting Service” or “Smooth Water Service” affixed. In this case, the dynamic load may be determined by the results of calculation of ship motions carried out on the basis of the data on sea and weather conditions at the navigating area which are considered appropriately by the Society.

N4.14.3 Sloshing Loads

1 For the purpose of the requirements in 4.14.3, Part N of the Rules, sloshing loads are to be determined in such a way that assessments are made by model experiment for each type of cargo tanks. For cargo tanks where partial filling is intended, data concerning the resonant period of the hull and natural period of the liquids are to be available on board the ship for avoiding the danger of resonance.

2 Notwithstanding the requirements in the preceding -1, in the type C independent tank in ships with L_f not exceeding 90 m, consideration for structural strength of cargo tanks due to sloshing loads may not be necessary. For tanks partial filling is intended, however, sufficient consideration is to be taken for the installation of equipments in cargo tanks such as cargo piping and cargo pump, against impact loads due to sloshing.

N4.18 Design Conditions

N4.18.1 Ultimate Design Condition

For the purpose of the requirements in 4.18.1(3), Part N of the Rules, the values of R_e and R_m when the strength of welds is less than that of the parent metal as in the case of 9% nickel steel are to be of the required values of mechanical properties of the weld metal. For welded joints of aluminium alloys 5083-O and 5083/5183 and 9% nickel steel, the values of R_e and R_m may be modified in consideration of the increase in the yield stress and tensile stress at low temperature after taking into account the welding procedure employed.

N4.18.2 Fatigue Design Condition

1 For the purpose of the requirements in 4.18.2-5, Part N of the Rules, the stress due to fatigue load may be generally determined by using the cumulative probability curve as shown in Fig. N4.18.2.

2 When the fatigue strength analysis specified in the requirements in **4.22.4, Part N of the Rules** is carried out using the frequency distribution of cyclic stress shown in the preceding **-1**, the number of representative stress (σ_i) is to be eight, and σ_i and its number of repetition n_i may be obtained from the following equation:

$$\sigma_i = \frac{17 - 2i}{16} \sigma_{max}$$

$$n_i = 0.9 \times 10^i$$

where:

$$i = 1, 2, \dots, 8$$

σ_{max} : Stress induced by the predicted maximum dynamic load (half amplitude)

3 For the purpose of **4.18.2-6(3), Part N of the Rules**, the fatigue load used in the calculation of propagation speed of fatigue cracks is, as a rule, to be the predicted maximum load value that can occur at the most severe period in the trade area specified. In case where analysis is made by using the load frequency distribution given in **Fig. N4.4 in Part N of the Rules**, the number of representative stress (σ_i) is to be set at five and σ_i and its number of repetition n_i may be obtained from the following equations:

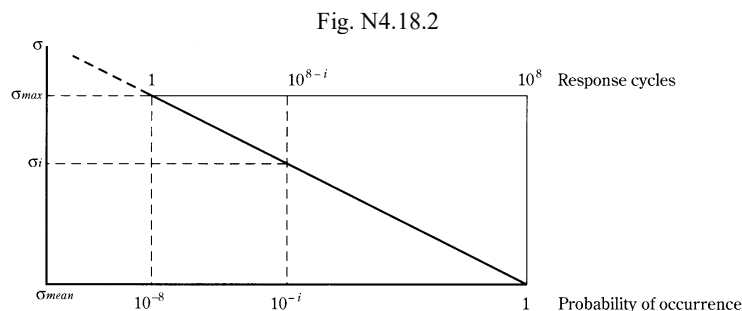
$$\sigma_i = \frac{5.5 - i}{5.3} \sigma_{max}$$

$$n_i = 1.8 \times 10^i$$

where:

$$i = 1, 2, \dots, 5$$

σ_{max} : Stress created by the predicted maximum load



N4.19 Materials

N4.19.1 Materials Forming Ship Structure

1 For the purpose of the requirements in **4.19.1-1, Part N of the Rules**, the calculation conditions in computing the temperature of hull structures are to be in accordance with the following **(1)** through **(4)**:

- (1) The loading condition of the ship for the calculation is to be full-loaded condition.
- (2) At the upright cargo leakage is to be considered for the calculation in accordance with the following **(a)** through **(d)**. However, no leakage may be considered for integral tanks and type *C* independent tanks.
 - (a) It is to be assumed that the failure of all cargo tanks located between transverse watertight bulkheads are caused. However, in case where the cross section of the ship is divided into more than one compartments by longitudinal bulkheads of the ship, it is to be assumed that the failure of all cargo tanks within each such compartment are caused.
 - (b) It is to be assumed that the locations of the failure of the cargo tank cover all conceivable ones.
 - (c) It is to be assumed that only the liquid cargo leaks out where the cargo tank, supports and hull remain intact without involving any deflections or fracture.
 - (d) For cargo tanks where the complete secondary barrier is required according to the requirements in **4.5, Part N of the Rules**, it is to be assumed that the leakage of liquid cargo occurs instantaneously and the levels of residual liquid cargo in damaged cargo tank and the leaked liquid level in the hold space reach the same level instantaneously.
- (3) The boundary conditions of the calculation model are to be in accordance with the following requirements **(a)** through **(i)**:

- (a) The temperature of the compartment adjacent to hold spaces is to be determined by heat transmission calculation. The atmosphere of the compartment which is adjacent to the compartment contiguous to hold space may be taken as a still air at 0°C. In the case of machinery space, it may be assumed as a still air at 5°C.
 - (b) It is to be assumed that there is no radiation of sun beam.
 - (c) The structures in hold space such as insulation materials and supports are to be assumed that they do not absorb liquid cargo.
 - (d) It is to be assumed that the gas and liquid within the same compartment are at the same temperature.
 - (e) At time of damage to the cargo tank, the gaseous phase in the cargo tank and that in hold spaces are to be assumed to have a pressure equals to the atmospheric pressure.
 - (f) It is to be assumed that there is no transfer of gases within the insulation materials.
 - (g) It is to be assumed that there is no influence of moisture.
 - (h) The ship is to be assumed to stay upright.
 - (i) It is to be assumed that there is no influence of paints.
- (4) The calculation conditions in heat transmission calculation are to be in accordance with the following requirements (a) through (h):
- (a) Temperature distribution and heat transmission are to be dealt with as the phenomena in a steady state. No transient condition may be considered.
 - (b) Sea water is to be assumed to have a density of 1,025 kg/m³ and a coagulation point of -2.5°C with physical properties compatible with those of fresh water for other items.
 - (c) The liquid cargo is to be assumed to have uniform temperature distribution.
 - (d) The heat transfer coefficients at various boundaries can be computed by using the numeral values given in [Table N4.19.1](#), but calculation may be carried out by using empirical equations given in the heat transfer engineering data which has been made public. In this case, heat transfer due to radiation is also to be taken into account.
 - (e) The substance for which temperature distribution is investigated is to be assumed to be of homogeneous one without directivity.
 - (f) Frames may be dealt with as fins.
 - (g) In case where hold spaces located forward and afterward the hold space under study are in the same conditions, they may be treated as a two-dimensional problem.
 - (h) The temperature of structural members is to be represented by the temperature at their half thickness, and for individual members, the following requirements i) through iv) are to be complied with:
 - i) The temperature of those frames fitted to plates is to be assumed to be the same as the temperature of the plates, but when the temperature distribution of the frame in the direction of depth is known, the area mean of the temperature distribution may be taken.
 - ii) The temperature of web frames supporting frames or plates is to be the temperature at their half depth for webs, and the temperature of face plates for these.
 - iii) The temperature of members connecting the inner shell and outer shell, e.g., brackets and girders is to be of the mean of the temperature of the inner shell and that of the outer shell.
 - iv) The temperature of brackets is to be the temperature at their centroid.

Table N4.19.1 The Heat Transfer Coefficient at Various Boundaries

Boundaries		Heat transfer coefficients (W/m ² · °C)
Still gas	↔ Hull or liquid	5.8
Still sea water	↔ Hull	116.3
Cargo vapour	↔ Hull attached to air	11.6

2 For the purpose of the requirements in [4.19.1-3, Part N of the Rules](#), brackets, panel breakers on such as girders, tripping brackets and docking brackets provided to prevent buckling of structural members may be excluded from the application of the

requirements.

3 Notwithstanding the requirements in the preceding -2, for longitudinal strength members and stiffeners in deep tanks and watertight bulkheads among those shown above the requirements apply.

4 For the purpose of 4.19.1-6, Part N of the Rules, the following (1) to (3) are to be complied with:

- (1) "Heating system" referred to in the requirements in 4.19.1-6, Part N of the Rules is to be such that in the case of a single failure of a mechanical or electrical component in any part of the system, heating can be maintained at not less than 100% of the theoretical heat requirement.
- (2) Where (1) above are met by duplication of the system components, i.e., heaters, glycol circulation pumps, electrical control panel, auxiliary boilers etc., all electrical components of at least one of the systems are to be supplied from the emergency source of electrical power.
- (3) Where duplication of the primary source of heat, e.g., oil-fired boiler is not feasible, alternative proposals such as an electric heater capable of providing 100 % of the theoretical heat requirement provided and supplied by an individual circuit arranged separately on the emergency switchboard, may be accepted. Other solutions may be considered towards satisfying the requirements of 4.19.1-6(1), Part N of the Rules provided a suitable risk assessment is conducted to the satisfaction of the Administration. The requirement of (2) above continues to apply to all other electrical components in the system.

N4.19.2 Materials of Primary and Secondary Barriers

When the design temperature of a material falls under the higher temperature range than the specified one for the material in Table N6.3 and Table N6.4, Part N of the Rules, the impact test temperature given in Table N6.1 to Table N6.4, Part N of the Rules correspondingly to the design temperature may be used instead of the impact test temperature depending on the material. For example, in the case of 2.25%Ni steel pipes used at the design temperature of -45°C, the impact test temperature may be -50°C, while in the case of 3.5%Ni steel plates used at the design temperature of -61°C, the impact test temperature may be -70°C.

N4.19.3 Thermal Insulation and Other Materials Used in Cargo Containment Systems

1 For the purpose of the requirements in 4.19.3-1, Part N of the Rules, insulation materials of independent tanks and integral tanks are to be free from generating harmful defects that degrade the insulation performance even under such conditions of service that can actually take place in insulation structure including forced deflection and thermal expansion and contraction.

2 The performance referred to in the preceding -1 is to be verified in the insulation procedure test specified in -3 as necessary.

3 For the purpose of the requirements in 4.19.3-2, Part N of the Rules, tests and inspection specified in the following (1) and (2) are to be carried out.

- (1) The insulation materials are to be approved in accordance with the Annex 1 "GUIDANCE FOR EQUIPMENT AND FITTINGS OF SHIPS CARRYING LIQUEFIED GASES IN BULK". In the above, tests and inspection are to be conducted according to the procedures on the manufacture, storage, handling and product quality control established by the manufacturer.
- (2) The inspection for insulation work is to include the following items of tests and inspections (a) to (c):

(a) Insulation procedure test

For insulation system and insulation procedure without previous records, tests are to be conducted in accordance with the test plan approved by the Society. The test may be conducted at the manufacturer of insulation materials or shipyard as necessary.

(b) Insulation production test

In accordance with the test plan approved by the Society in advance, tests are to be conducted to verify the work control, working environment control and product quality control during insulation procedure.

(c) Completion inspection

After the insulation work is completed, inspection is to be conducted for dimensions, shape, appearance, etc. in accordance with the procedures already approved by the Society, and in addition, the insulation performance is also to be verified in the test specified in 4.20.3-5, Part N of the Rules.

4 For the purpose of the requirements in 4.19.3-2, Part N of the Rules, the properties of insulation materials are, in general, to be verified by the tests given in Table N4.19.3.

5 In addition to complying with the requirements in the preceding -4, property verification test may be requested by the Society depending on the insulation system.

6 If the material, which has been approved according to the Annex 1 "GUIDANCE FOR EQUIPMENT AND FITTINGS OF

SHIPS CARRYING LIQUEFIED GASES IN BULK”, satisfies the performance requirements and such performance is considered to serve the purpose, the tests referred to in the preceding -4 may be omitted.

7 For insulation materials to which the requirements in the preceding -4 to -6 do not apply, the following requirements (1) and (2) are to be complied with:

- (1) For insulation materials used for supports of independent tanks, the requirements given in the column of membrane tank and semi-membrane tank in **Table N4.19.3** apply.
- (2) For insulation materials provided in cargo tanks to which no provision of insulation is required according to the requirements in **4.10.1, Part N of the Rules**, data on the necessary properties of those specified in **4.19.3-2, Part N of the Rules** depending on the insulation system is to be submitted to the Society.

Table N4.19.3 Properties of Insulation Material for Cargo Tank Types

No.	Ensuring items	Integral tank	Membrane/ Semi-membrane tank	Type A/B independent tank	Type C independent tank	Note	
1	Compatibility with the cargo		○ ¹⁾	○ ¹⁾			
2	Solubility in the cargo		○ ¹⁾	○ ¹⁾			
3	Absorption of the cargo	□	○ ¹⁾	○ ¹⁾			
4	Shrinkage		○ ¹⁾	○ ¹⁾			
5	Ageing	□	○	○ ¹⁾	□		
6	Closed cell content	△	△	△	△	applied only to closed cell material	
7	Density	○	○	○	○		
8	Mechanical properties	Bending strength	○	○	○		
		Compress strength		○			
		Tensile strength	○	○	○	○	
		Shearing strength	○	○			
9	Thermal expansion	□	○	○ ²⁾	○ ²⁾		
10	Abrasion		○				
11	Cohesion	□	△	△ ¹⁾	□	applied to cohored material	
12	Thermal conductivity	○	○	○	○		
13	Resistance to vibration	△	△	△ ¹⁾		refer to 4.19.3-7, Part N of the Rule	
14	Resistance to fire and flame spread	○	○	○	○		
15	Resistance to fatigue failure		○				
16	Resistance to crack propagation		△				

Remarks:

- : Items to be verified through verification test for properties.
- △: Items to be verified through verification test where deemed necessary depending on the insulation material.
- : Items for which preparation of data on the properties is desirable.

Notes:

- 1) Necessary when the insulation material acts as spray shield specified in the requirements in **4.7.1, Part N of the Rules**. In other cases, data on the properties is to be prepared.
- 2) Not generally required for cargo tanks where the design temperature exceeds -10°C.

N4.20 Construction Processes

N4.20.1 Weld Joint Design

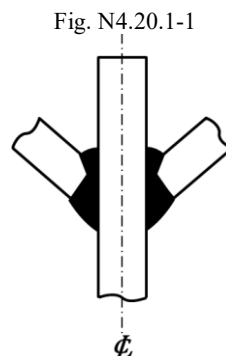
1 In application of the requirements in **4.20.1-1, Part N of the Rules**, welded corners (i.e. corners made of weld metal) are not to be used in the main tank shell construction, i.e. corners between shell side (sloped plane surfaces parallel to hopper or top side inclusive if any) and bottom or top of the tank, and between tank end transverse bulkheads and bottom, top or shell sides (sloped plane surfaces inclusive if any) of the tank. Instead, tank corners which are constructed using bent plating aligned with the tank surfaces and connected with in-plane welds are to be used. Tee welds can be accepted for other localised constructions of the shell such as suction well, sump, dome, etc. where tee welds of full penetration type are also to be used.

2 The “dome-to-shell connections” referred to in the requirements in **4.20.1, Part N of the Rules** are applicable to tanks with *MARVS* is 0.07 MPa or below, and the connections mean ordinary cargo pipes or other penetrations of equivalent size sufficiently small when compared with the size of dome.

3 In welding of the penetrations referred to in the preceding -2 full penetration type welding may not be required, but are to have proper grooves. In this case, all the weld lines for penetrations of pipes with outside diameter exceeding 100 mm, and the partial weld lines for those with outside diameter of 100 mm or below, are to be subjected to non-destructive test as appropriate.

4 The “very small process pressure vessels” referred to in the requirements in **4.20.1-2(1), Part N of the Rules** means pressure vessels which are so small that it is difficult to remove their backing strip.

5 In application of the requirements in **4.20.1-2(1), Part N of the Rules**, cruciform full penetration welded joints in a bi-lobe tank with centreline bulkhead can be accepted for the tank structure construction at tank centreline welds with bevel preparation subject to the approval of the Administration or the Society, based on the results of the tests carried out at the approval of the welding procedure. (See Fig. N4.20.1-1)



N4.20.3 Testing

1 For the purpose of the requirements in **4.20.3-2, Part N of the Rules**, in case where leakage of cargo tanks can not be inspected in the hydraulic test or hydrostatic test or hydropneumatic test according to the requirements in 4.21 to 4.26, **Part N of the Rules**, the tightness test of cargo tanks is to be conducted separately. This test is to be of the airtightness test conducted at a pressure of *MARVS* or more of the cargo tank.

2 With respect to the requirements of **4.20.3-3, Part N of the Rules**, it is to be verified that secondary barriers keep a specific level of tightness required in the system design in accordance with an appropriate procedures. However, low differential pressures tests are not to be considered an acceptable test for the tightness of secondary barriers. For cargo containment systems with glued secondary barriers, tests for verification of the tightness are to be carried out before and after initial cool down and related values obtained in the tests are to be recorded for the use as reference for periodical surveys. If the verification results do not satisfy acceptance criteria approved in advance, an investigation is to be carried out and additional testing such as thermographic or acoustic emissions testing is to be carried out.

3 For the purpose of the requirements in **4.20.3-4, Part N of the Rules**, in case where stress measurements of the cargo tank previously built which can be regarded as the tank of the same design manufactured at the same shipyard had resulted in good agreement with design stress levels, provision of instrumentation of independent tanks stress levels for tanks subsequently built may be omitted.

4 In accordance with **4.20.3-5** and **5.13.2-5, Part N of the Rules** the following (1) and (2) tests are to be conducted in the

presence of the Surveyor to verify the performance of the cargo containment installations and cargo handling equipment:

(1) Gas trial

On items given in **Table N4.20.3-1**, tests are to be conducted to verify the performance of the cargo containment system, cargo handling equipment and instrumentation using a suitable quantity of the cargo after the completion of all the construction work. However, for cargo tanks which do not require either cool-down operations or the cargo pressure/temperature controls specified in **7.1.1, Part N of the Rules**, the omission of gas trials may be accepted in cases where the performance of the equipment specified in items **5** and **6** of **Table N4.20.3-1** is verified through operating tests using a substitute medium at manufacturing plants or shipyards, except for the case where the tank is of the first cargo tank manufactured by the manufacturer of cargo tanks.

(2) Cargo full loading test

On items given in **(a)** and **(b)**, tests are to be conducted after completion of all the construction work to verify that the cargo containment installations, cargo handling equipment and instrumentation satisfy the design conditions under the fully loaded condition of cargo. In addition, the documents specified in **(c)** are to be submitted to the Surveyor. Furthermore, it is acceptable to carry out the items specified in **(a)** and **(b)** during gas trials, except for those specified to be carried out during cargo full loading tests.

(a) During loading operations

When attending at first full cargo loading, priority is to be given to latter stages of loading.

- i) Verify the satisfactory functionality of the emergency shutdown systems during testing
- ii) Satisfactory operation of gas detection systems
- iii) Satisfactory operation of cargo tank pressure monitoring systems
- iv) Satisfactory operation of interbarrier space and insulation space pressure monitoring systems, as applicable
- v) Satisfactory operation of cargo tank temperature monitoring systems
- vi) Satisfactory operation of cargo tank level indicating systems
- vii) Satisfactory operation of interbarrier space and inner hull temperature monitoring systems, as applicable
- viii) Satisfactory operation of cargo compressors
- ix) Inert gas generators, if operating
- x) Nitrogen generating plants, if operating
- xi) Nitrogen pressure control systems for insulation, interbarrier and annular spaces, as applicable
- xii) Reliquefaction plants, if fitted
- xiii) Equipment fitted for the burning of cargo vapours such as boilers, engines, gas combustion units, etc., if operating
- xiv) Examination of on-deck cargo piping systems, including expansion and supporting arrangements
- xv) Verification and examination of all piping systems, including valves, fittings and associated equipment for handling cargoes or vapours, as specified in **5.13.2-5, Part N of the Rules**.
- xvi) Advise masters to carry out cold spot examinations of the hull and external insulation during transit voyages to unloading ports and record the results in ship's logbooks
- xvii) Advise masters to test high-level alarms with liquid cargoes during voyages and record the results in ship's logbooks, when loading conditions permit
- xviii) Continuous loading rates

(b) During discharging operations

When attending at first full cargo unloading, priority is to be given to the commencement of unloading.

- i) Examination of on-deck cargo piping systems including expansion and supporting arrangements
- ii) Review logbook entries of emergency shutdown systems testing prior to commencement of unloading
- iii) Review cargo logs and alarm reports for cargo tank pressure, temperature and level indicating systems*
- iv) Satisfactory operation of cargo compressors
- v) Satisfactory operation of cargo pumps
- vi) Inert gas generators, if operating
- vii) Nitrogen generating plants, if operating
- viii) Nitrogen pressure control systems for insulation, interbarrier and annular spaces, as applicable

- ix) Review of records for satisfactory operation of reliquefaction plants, if fitted*
- x) Review of records for equipment fitted for the burning of cargo vapours such as boilers, engines, gas combustion units, etc.
- xi) On ships fitted with membrane tanks, review records of cofferdam and inner hull temperature sensors to verify their readings are not below the allowable temperature for the selected grade of steel*
- xii) Cofferdam heating systems, if in operation*
- xiii) Review logbook entries for cold spot examinations*
- xiv) Review logbook entries for the testing of high-level alarms with liquid cargoes*
- xv) Discharging rates

* These items are to be carried out during cargo full loading tests, not during gas trials.

(c) Documentation to be requested to the masters

To demonstrate satisfactory functionality of the verifications, the masters are required to arrange and provide surveyors with the following materials:

- i) Trends of cargo tank pressures and temperatures
- ii) Trends of pressure and temperature distributions of interbarrier spaces and insulation spaces, and temperature distributions of inner hulls, as applicable
- iii) Trends record of performance of cofferdam heating systems, if fitted
- iv) Trends record of nitrogen gas consumption, and whether any abnormalities have been observed
- v) List of any gas alarm activated, if any
- vi) Cargo tanks containment system cold spot inspection statements
- vii) Activation of cargo tanks high-level alarms and overfill protection tests

5 The kinds of real liquid cargo and gas used in the gas trial and cargo full loading test specified in the preceding -4 are to be such that reproduction of the most severe conditions of those design conditions of the cargo containment system, the transfer installations and the reliquefaction system, etc. and consideration is to be given to the following requirements (1) and (2):

- (1) The verification relative to design temperatures is to be made by reproducing the condition that the cargo on the basis of which design temperature has been determined is cooled down as close to the design temperature as practicable.
- (2) For design conditions basing on the corrosivity or extreme toxicity, omission of verification through the use of these cargoes in gas trial may be accepted in case where experimental data and information to prove the compliance of the construction and equipment including structural materials have been submitted to the Society.

6 The quantities of the real cargo and vapour used in the gas trials and cargo full loading tests referred to in the preceding -4 are to be sufficient to conducting the tests specified in said -4. However, in cases where cargo conditions do not permit operation tests of high level alarms, such tests are to be carried out at the first occasion in which cargo conditions allow for said testing. In such cases, the logbook entries for testing and relevant records are to be reviewed no later than the first Annual Survey specified in **1.1.3-1, Part B of the Rules**.

7 The cargo full loading test to capacity specified in the preceding -4(2) may be conducted simultaneously with the gas trial indicated in the preceding -4(1).

8 The cold spot inspection of cargo tanks specified in **4.20.3-7, Part N of the Rules** is to be carried out during the cargo full loading test to capacity specified in the preceding -4 for the membrane tank, semi-membrane tank, internal insulation tank, and when necessary, independent tank.

Table N4.20.3-1 Test Items at Gas Trial

Test item	◎:Attendance of the Surveyor ○:Submission of records	Inspection Equipment	Survey item
1. Drying test	○	<ul style="list-style-type: none"> Inert gas generator (<i>IGG</i>) 	<ul style="list-style-type: none"> Dew point Change of dryness in cargo tanks and hold spaces
2. Inerting test	○	<ul style="list-style-type: none"> Inert gas generator 	<ul style="list-style-type: none"> Operation of inert gas generator Measuring of atmosphere in cargo tanks
3. Inert gas purge test using cargo vapour	◎/○	<ul style="list-style-type: none"> Cargo vapourizer Compressor 	<ul style="list-style-type: none"> Change of O₂/temperature of cargo vapour in cargo tanks Quantity of cargo vapour (or liquid) supply Capacity of the vapourizer Capacity of the compressor
4. Cool-down test	◎/○	<ul style="list-style-type: none"> Spray pump Compressor Cargo piping Temperature indicators for cargo tank Spray piping 	<ul style="list-style-type: none"> Temperature curve of cargo tanks Inspection of hold spaces/condition of insulation of tanks¹⁾ (after cool-down) Cooling condition of spray piping Cooling condition of cargo piping Capacity of spray pump Cargo consumption Capacity of Compressor (property of return gas) Temperature/pressure in cargo tank Shrinkage of cargo tank²⁾
5. Loading test of cargo liquid	◎/○	<ul style="list-style-type: none"> Compressor Cargo piping related for loading Level gauge/temperature indicator 	<ul style="list-style-type: none"> Temperature/pressure level in cargo tanks Temperature/pressure in hold spaces Temperature/pressure of cargo liquid/gas at manifolds Service condition of cargo piping
6. Operation test of cargo pump	◎/○	<ul style="list-style-type: none"> All cargo pumps 	<ul style="list-style-type: none"> Discharge pressure/current of cargo pumps Liquid level/pressure in cargo tanks Stripping
7. Operation test of pressure/temperature control system	◎/○	<ul style="list-style-type: none"> Depend on the type of controls 	<ul style="list-style-type: none"> Depend on the type of controls

Notes:

- 1) The Society may approve omission in consideration of the quality control status and manufacturing records of the insulation materials.
- 2) To be verified only in the case of independent tanks.

N4.21 Type A Independent Tanks**N4.21.2 Structural Analysis**

For the purpose of the requirements in **4.21.2-2, Part N of the Rules**, the following (1) to (3) are to be considered for loads and ship deflections.

- (1) Ship deflections due to longitudinal bending moment in waves and longitudinal still water bending moment.
- (2) Ship deflections due to horizontal bending moment in waves and twisting moment, when necessary due to type of supporting structures.
- (3) Internal pressure specified in the requirements in **4.28.1, Part N of the Rules**.

N4.21.3 Ultimate Design Condition

1 The “classical analysis procedures” referred to in the requirements in **4.21.3-1, Part N of the Rules** means to meet the requirements in **Chapter 6, Part 2-9, Part C of the Rules**.

2 For the purpose of the requirements in **4.21.3-1, Part N of the Rules**, the allowable stress for the equivalent stress σ_e when detailed stress calculations are made on primary members is to be as given in **Table N4.21.3-1**.

Table N4.21.3-1 Allowable Stresses for the Primary Equivalent Stress

Ferrite steels	Austenitic steels	Aluminium alloys
$0.79R_e$	$0.84R_e$	$0.79R_e$
$0.53R_m$	$0.42R_m$	$0.42R_m$

Note:

For each member, the smaller of the above values is to be used with R_e and R_m as specified in **4.18.1(3), Part N of the Rules**.

N4.21.5 Testing

1 For the purpose of the requirements in **4.21.5** and **4.22.6, Part N of the Rules**, the hydrostatic or hydropneumatic test of cargo tanks is to be conducted by simulating the actual load conditions (static load + dynamic load) in accordance with the following requirements (1) and (2):

- (1) Test of cargo tanks

Hydrostatic-hydropneumatic test is to simulate the static pressure of cargo, acceleration by ship motions and internal pressure including the vapour pressure by water head and pneumatic pressure. (See **Fig. N4.21.5-1, Fig. N4.21.5-2, and Fig. N4.21.5-3**)

- (2) Load test of supporting structures

Hydraulic test is to simulate the cargo weight and the load created by the acceleration due to ship motions solely by the weight of water. (See **Fig. N4.21.5-4**)

- 2 All tests specified in the preceding **-1(1)** and **(2)** may be conducted individually.

3 In the case of the cargo tank of supports which can be regarded as those of the same type manufactured at the same manufacturing plant, implementation of the second and subsequent tests of cargo tanks and supports specified in the preceding **-1(2)** may be omitted when deemed acceptable by the Society.

Fig. N4.21.5-1 Simulating the Internal Pressure Distribution of Rectangular Tank

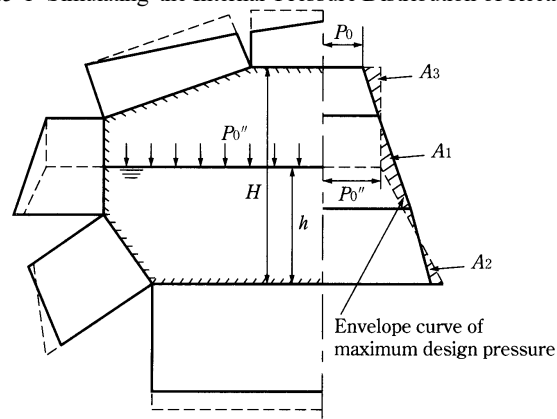


Fig. N4.21.5-2 Simulating the Internal Pressure Distribution of Spherical Tank

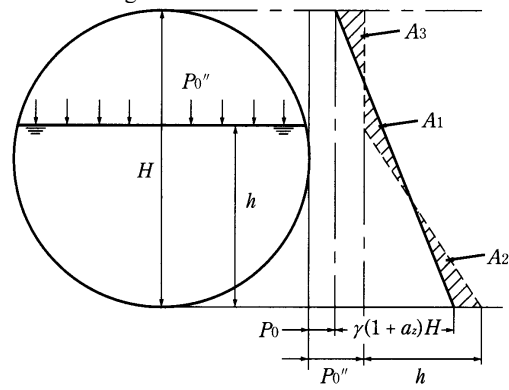


Fig. N4.21.5-3 Simulating the Internal Pressure Distribution at Pressure Discharge

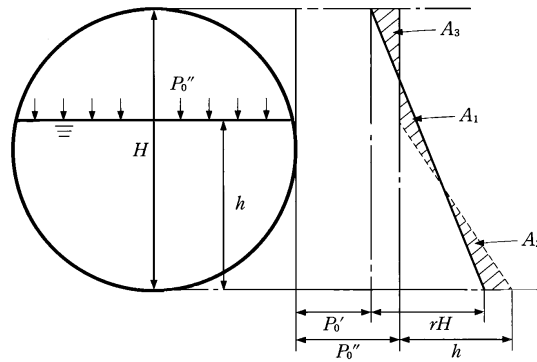
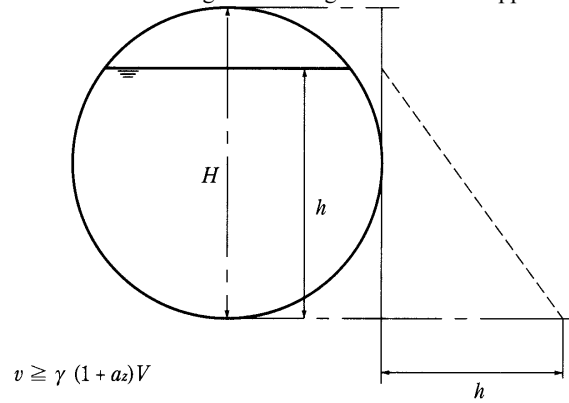


Fig. N4.21.5-4 Simulating the Loading Condition of Support Structure



Notes:

Explanatory notes on symbols in Fig.N4.21.5-1 to Fig. N4.21.5-4

—: maximum loading condition which is predicted to actually encounter

- - -: pressure testing condition simulating as far as practicable (P_0'' and h are to be chosen so that $P_0'' > P_0$ or $P_0'' > P_0'$ and $A_2 + A_3 > A_1$ as far as practicable)

H : depth of tank

h : water head

γ : specific gravity of cargo

a_z : maximum vertical acceleration (non-dimensional)

P_0 : design vapour pressure at ordinary passage

P_0' : design vapour pressure during pressurized unloading in port

P_0'' : air pressure

N4.22 Type B Independent Tanks

N4.22.2 Structural Analysis

In applying the requirements in 4.22.2, Part N of the Rules, the following requirements (1) through (9) are to be complied with:

- (1) The cargo tank structure is to be analyzed by three-dimensional frame structural analysis method or finited element method. The model for the analysis is to include concerned hull structures and support construction considering ship deflections and local deflections of hull due to vertical, horizontal and twisting moments.
- (2) The strength members of cargo tanks are to be computed in details by the finite element method. In case where compatible results can be obtained, however, the frame structural analysis method may be used in replacement therewith.
- (3) In the preceding (1) and (2), dynamic loads necessary for the calculation of interactions between the hull and cargo tanks are, as a rule, to be determined by long-term distribution in accordance with the requirements in 4.14.1, 4.18.2 and 4.22.2-3, Part N of the Rules where the most probable largest load in terms of the probability of occurrence as deemed appropriate by the Society is to be used. The dynamic stress (σ_{dyn}) due to such loads are to be evaluated for their phase difference according to the requirements in 4.17.3, Part N of the Rules, and the total stress including dynamic stress is to be the sum of such dynamic stress and static stress (σ_{st}). However, the load within cargo tanks may be considered as the internal pressure specified in the requirements in 4.28.1-2, Part N of the Rules by using the value of long-term distribution of acceleration computed by direct calculation according to the requirements in 4.14.1, 4.18.2 and 4.22.2-3, Part N of the Rules.
- (4) The scantlings of cargo tank plates and stiffeners fitted to tank plates are to the satisfaction of the Society in consideration of the stress distribution and the mode of stress.
- (5) In case where bulkheads are provided in cargo tanks, the scantlings of bulkhead plates and stiffeners fitted to the bulkhead

plates are to the satisfaction of the Society.

- (6) The strength members in cargo tanks are to be subjected to fatigue strength analysis for both the base metal and welded joints of high stress regions and stress concentration regions. $S-N$ curves are to be plotted by experiment by the taking into account the following (a) through (f).
- Shape and size of test specimen
 - Stress concentration and notch sensitivity
 - Mode of stress
 - Mean stress
 - Welding conditions
 - Ambient temperature
- (7) Relative to the design standards for the secondary barrier, the crack propagation analysis specified in the requirements in **4.22.2-1, Part N of the Rules** is to be carried out to verify that the assumed initial cracks would not reach the critical crack length in a period of 15 *days* or for the particular voyage. The rate of cargo leakage is to be computed on the basis of the crack length obtained by this analysis.
- (8) It is to be verified that the cargo tank plates and associated structural members have sufficient strength against compressive buckling, tripping buckling of stiffeners, shearing buckling, and bending buckling of tripping brackets.
- (9) The accuracy in stress analysis is to be verified by model tank test or pressure measurements taken at time of pressure tests on a real ship in accordance with the requirements in **4.20.3-4, Part N of the Rules**.

N4.23 Type C Independent Tanks

N4.23.1 Design Basis

1 For the purpose of the requirements in **4.23.1, Part N of the Rules**, for the scantlings, shapes and reinforcements of openings of cargo tanks against internal pressure in cargo tanks, the requirements for Group 1 Pressure Vessels in **Chapter 10, Part D of the Rules** apply.

2 If the carriage of products, having a relative density exceeding 1.0 and not covered by **Part N of the Rules** is intended in type C independent tanks, it is to be verified that the double amplitude of the primary membrane stress $\Delta\sigma_m$ created by the maximum dynamic pressure differential ΔP does not exceed the allowable double amplitude of the dynamic membrane stress $\Delta\sigma_A$ as specified in **4.23.1-2, Part N of the Rules**.

$$\Delta P = \frac{\rho}{1.02 \times 10^5} (\alpha_{\beta 1} Z_{\beta 1} - \alpha_{\beta 2} Z_{\beta 2}) \quad (MPa)$$

where ρ , α_β , Z_β are as defined in **4.28.1-2, Part N of the Rules**.

$\alpha_{\beta 1}$ and $Z_{\beta 1}$ are the α_β and Z_β values giving the maximum liquid pressure $(P_{gd})_{max}$ as defined in **4.28.1-2, Part N of the Rules**.

$\alpha_{\beta 2}$ and $Z_{\beta 2}$ are the α_β and Z_β values giving the minimum liquid pressure $(P_{gd})_{min}$ as defined in **4.28.1-2, Part N of the Rules**.

In order to evaluate the maximum pressure differential ΔP , pressure differentials are to be evaluated over the full range of the acceleration ellipse (refer to **Fig. N4.1 to Fig. N4.3, Part N of the Rules**).

N4.23.3 Ultimate Design Condition

1 For the purpose of the requirements in **4.23.3-1, Part N of the Rules**, the circumferential stress at supports of type C independent tanks is to be assessed in accordance with the following (1) through (4):

- (1) For horizontal cylindrical tanks made of carbon manganese steel supported in saddles, the equivalent stress in the stiffening rings is not to exceed the following values if calculated using finite element method:

$$\sigma_e \leq \sigma_{all}$$

where:

$$\sigma_{all} = \min(0.57R_m; 0.85R_e)$$

$$\sigma_e = \sqrt{(\sigma_n + \sigma_b)^2 + 3\tau^2}$$

σ_e : von Mises equivalent stress (N/mm^2)

σ_n : normal stress (N/mm^2) in the circumferential direction of the stiffening ring

σ_b : bending stress (N/mm^2) in the circumferential direction of the stiffening ring

τ : shear stress (N/mm^2) in the stiffening ring

R_m and R_e as defined in **4.18.1(3), Part N of the Rules**.

Equivalent stress values σ_e are to be calculated over the full extent of the stiffening ring for a sufficient number of load cases.

(2) The following assumptions are to be made for the stiffening rings:

(a) The stiffening ring is to be considered as a circumferential beam formed by web, face plate, doubler plate, if any, and associated shell plating. The effective width of the associated plating is to be taken as the following **i)** and **ii)**:

i) For cylindrical shells:

An effective width (mm) not greater than $0.78\sqrt{rt}$ on each side of the web. A doubler plate, if any, may be included within that distance.

where:

r = mean radius of the cylindrical shell (mm)

t = shell thickness (mm)

ii) For longitudinal bulkheads (in the case of lobe tanks):

The effective width is to be determined according to established standards. A value of $20t_b$ on each side of the web may be taken as a guidance value.

where:

t_b = bulkhead thickness (mm).

(b) The stiffening ring is to be loaded with circumferential forces, on each side of the ring, due to the shear stress, determined by the bi-dimensional shear flow theory from the shear force of the tank.

(3) For calculation of reaction forces at the supports, the following **(a)** and **(b)** are to be taken into account:

(a) Elasticity of support material (intermediate layer of wood or similar material)

(b) Change in contact surface between tank and support, and of the relevant reactions, due to the following **i)** and **ii)**

i) thermal shrinkage of tank

ii) elastic deformations of tank and support material.

The final distribution of the reaction forces at the supports is not to show any tensile forces.

(4) The buckling strength of the stiffening rings are to be examined.

2 The “calculations using accepted pressure vessel buckling theory” referred to in the requirements in **4.23.3-2, Part N of the Rules** means calculations based on standards such as *JIS*, *ASME*, etc. P_4 among design external pressure P_e is to be the value computed by applying the requirements in **4.4.2.7, 4.4.2.8 and 4.9.2.2, Part 1, Part C of the Rules** corresponding to the location of the tanks.

N4.23.6 Testing

1 The “pressure vessels other than simple cylindrical and spherical pressure vessels” referred to in the requirements in **4.23.6-1, Part N of the Rules** means those cylindrical or spherical pressure vessels with supporting structures of well proved records. In tanks of special shape having supporting structures likely to cause excessive bending stress or bicylindrical shape tanks, the stress levels are to be verified by strain measurement through prototype test.

2 “Where necessary” referred to in the requirements in **4.23.6-4, Part N of the Rules** means a case in which the shipbuilding berth or hull structure can not withstand the hydrostatic load when cargo tanks are filled with water to the tank top level and another case in which a large load exceeding the design load is imposed on the structural members of the tank or adjacent structures by conducting the hydrostatic test.

3 For the purpose of the requirements in **4.23.6-6, Part N of the Rules**, the leakage test is to be of the air-tightness test conducted at a pressure of *MARVIS* or more of the pressure vessel.

N4.24 Membrane Tanks**N4.24.1 Design Basis**

In case where the design vapour pressure is made higher than 0.025 MPa in accordance with the provision to the requirements in **4.24.1-4, Part N of the Rules**, this vapour pressure is to be taken into account when model test specified in **4.24.8-1, Part N of the Rules** is conducted. In this case, special consideration is to be given to stress concentration for the welding and construction details of the adjacent hull structure.

N4.24.2 Design Considerations

1 For the purpose of the requirements in **4.24.2-1, Part N of the Rules**, in the assessments of plastic deformations and fatigue of the membrane and thermal insulation materials, all static and dynamic stresses and thermal stress specified in **4.11 to 4.15, Part N of the Rules** are to be taken into account.

2 In the assessments referred to in the preceding -1, verification is to be made through fatigue tests on a model combining the elements of the tank, second barrier, insulation structure and tank supporting structure considering the dimensional effects on real tank and the effects of dispersions in materials and fabrication accuracy as an integral part of the test specified in **4.24.8-1, Part N of the Rules**.

N4.24.3 Loads and Load Combinations

The assessments of loss of tank integrity referred to in the requirements in **4.24.3, Part N of the Rules** are to be made in accordance with the following requirements (1) and (2):

- (1) For overpressure and negative pressure in the interbarrier space, collapse test is to be conducted on a prototype model of the membrane to verify its ultimate strength.
- (2) For sloshing loads, impact load experiment is to be carried out on a prototype model of the membrane to verify its strength when the Society considers necessary.

N4.24.4 Structural Analyses

For the purpose of the requirements in **4.24.4-2, Part N of the Rules**, the hull structure adjacent to membrane tanks is to comply with the requirements in **Chapter 6, Part 1, Part C of the Rules** and, in addition, the stress in the hull structure is to be restricted in consideration of the structural strength of membrane tanks, if necessary. The allowable stresses of the membrane, membrane supporting structures and insulation materials are to be determined in each case according to the mechanical properties of materials, records of construction, product specifications and levels of product quality control practice.

N4.24.8 Design Development Testing

Tests specified in the requirements in **4.24.8-1, Part N of the Rules**, are to be conducted on a model in combination of the primary barrier, insulation structure and second barrier. Test object and testing procedure are to be determined for each type of tank in each case.

N4.24.9 Testing

1 The “hydrostatically tested as deemed appropriate by the Society” referred to in the requirements in **4.24.9-1, Part N of the Rules** means the hydraulic test according to the requirements in item 10(1), **Table B2.7, Part B of the Rules**. In this case, hydraulic pressure may be applied from hull structures such as ballast tanks and cofferdams.

2 The leakage test for the “all hold structure supporting the membrane” referred to in the requirements in **4.24.9-2, Part N of the Rules** is to be in accordance with the requirements specified in item 10(1), **Table B2.7, Part B of the Rules**.

N4.25 Integral Tanks**N4.25.1 Design Basis**

In case where the design vapour pressure is made higher than 0.025 MPa in accordance with the provision to the requirements in **4.25.1(1), Part N of the Rules**, special consideration is to be given to stress concentration for the welding and detailed construction of cargo tanks.

N4.25.3 Ultimate Design Condition

The allowable stresses specified in **4.25.3-2, Part N of the Rules** are to be those specified in **8.6.1.2, Part 1, Part C of the Rules**.

N4.25.5 Testing

For the purpose of the requirements in **4.25.5, Part N of the Rules**, the hydraulic test of integral tanks is to conform to the requirements in item 10(1), **Table B2.7, Part B of the Rules**. However, for tanks whose design *MARVS* exceeds 0.025 MPa or specific gravity of the cargo exceeds 0.6, the test may be such as to conform to the requirements specified in **N4.21.5-1** correspondingly.

N4.26 Semi-membrane Tanks

N4.26.1 Design Basis

1 For the purpose of the requirements in **4.26.1-3, Part N of the Rules**, stress analysis is to be carried out on the structural members of cargo tanks in consideration of the loads specified in the requirements in **4.3, Part N of the Rules**. In this case, the requirements in **4.22.3-1, Part N of the Rules** apply correspondingly to the allowable stress.

2 For stress analysis referred to in the preceding **-1**, the Society may request model test to verify the accuracy in such stress analysis or stress measurements at time of pressure test of cargo tanks when the Society deems it necessary.

N4.28 Guidance Notes for Chapter 4

N4.28.1 Guidance to Detailed Calculation of Internal Pressure for Static Design Purpose

1 As the “Equivalent calculation procedures” referred to in the requirements in **4.28.1-3, Part N of the Rules**, the following (1) to (3) may be based upon:

(1) In the case of square tanks, the water head at arbitrary point *j* on the tank plate is to be obtained from the following equations:

$$h_j = h_{j.st} + h_{j.dyn} \text{ (MPa)}$$

$$h_{j.st} = \frac{P_0 + \rho z_j}{1.02 \times 10^5} \text{ (MPa)}$$

$$h_{j.dyn} = \frac{\rho \sqrt{(x_j a_x)^2 + (y_j a_y)^2 + (z_j a_z)^2}}{1.02 \times 10^5}$$

where:

P_0 and ρ : As specified in **4.28.1, Part N of the Rules**.

a_x, a_y and a_z : As specified in **4.28.2, Part N of the Rules**

x_j, y_j and z_j (*m*): As specified in **Fig. N4.28.1-1**

(2) In the case of spherical tanks, pressure $P(\Phi, \theta)$ at arbitrary point on the tank plate is to be obtained from the following equations:

(a)

$$P(\Phi, \theta) = P(\Phi, \theta)_{st} + P(\Phi, \theta)_{dyn} \text{ (MPa)}$$

$$P(\Phi, \theta)_{st} = P_0 + \frac{\rho R(1 - \cos \Phi)}{1.02 \times 10^5} \text{ (MPa)}$$

$$P(\Phi, \theta)_{dyn} = \sqrt{P_1^2 + P_2^2 + P_3^2} \text{ (MPa)}$$

$$P_1 = \frac{\rho R \left(\sqrt{1 + a_x^2} - a_x \sin \Phi \cos \theta - 1 \right)}{1.02 \times 10^5} \text{ (MPa)}$$

$$P_2 = \frac{\rho R \left(\sqrt{1 + a_y^2} - a_y \sin \Phi \sin \theta - 1 \right)}{1.02 \times 10^5} \text{ (MPa)}$$

$$P_3 = \frac{\rho R a_z (1 - \cos \Phi)}{1.02 \times 10^5} \text{ (MPa)}$$

where:

P_0, ρ, a_x, a_y and a_z : As specified in the preceding **-1**

R : Inner radius of sphere (*m*)

Φ and θ : As specified in **Fig. N4.28.1-2**

(b) Notwithstanding the value specified in the preceding (a), the value of P is not to be made less than the following value:

$$P(\Phi, \theta)_{min} = P_0 + \frac{\rho R(1 + a_z)(1 - \cos\Phi)}{1.02 \times 10^5} (MPa)$$

where:

P_0 , ρ , R and a_z : As specified in the preceding (1).

- (3) In the case of cylindrical tank arranged horizontally along the longitudinal direction of the ship, pressure $P(x_j, \Phi)$ at an arbitrary point on the tank plate is to be obtained from the following equation:

(a)

$$P(x_j, \Phi) = P(x_j, \Phi)_{st} + P(x_j, \Phi)_{dyn} (MPa)$$

$$P(x_j, \Phi)_{st} = P_0 + \frac{\rho R(1 - \cos\Phi)}{1.02 \times 10^5} (MPa)$$

$$P(x_j, \Phi)_{dyn} = \sqrt{P_1^2 + P_2^2 + P_3^2} (MPa)$$

$$P_1 = \frac{\rho x_j a_x}{1.02 \times 10^7} (MPa)$$

$$P_2 = \frac{\rho R \left(\sqrt{1 + a_y^2} - a_y \sin\Phi - 1 \right)}{1.02 \times 10^5} (MPa)$$

$$P_3 = \frac{\rho R a_z (1 - \cos\Phi)}{1.02 \times 10^5} (MPa)$$

where:

P_0 , ρ , a_x , a_y and a_z : As specified in the preceding (2)

R : Inner radius of cylinder (m)

Φ and x_j : As specified in [Fig. N4.28.1-3](#)

- (b) Notwithstanding the value specified in the preceding (a), the value of P is not to be made less than the following value:

$$P(x_j, \Phi)_{min} = P_0 + \frac{\rho R(1 + a_z)(1 - \cos\Phi)}{1.02 \times 10^5} (MPa)$$

Fig. N4.28.1-1

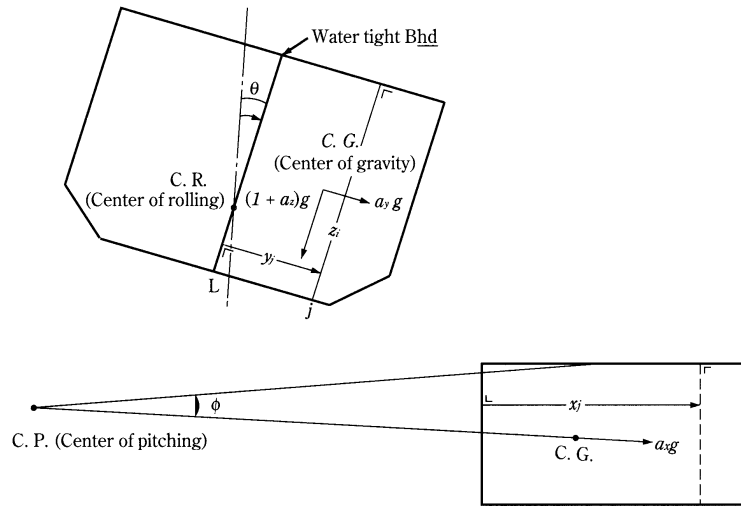


Fig. N4.28.1-2

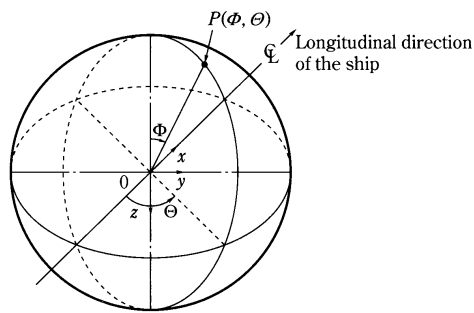
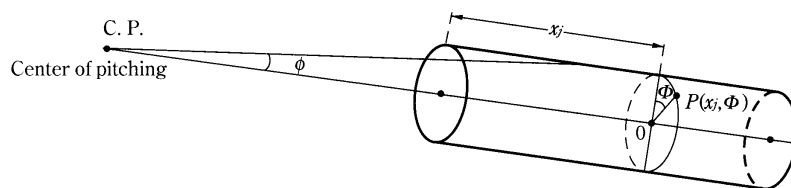


Fig. N4.28.1-3



N5 PROCESS PRESSURE VESSELS AND LIQUID, VAPOUR, AND PRESSURE PIPING SYSTEMS

N5.1 General

N5.1.1 General

1 For the purpose of the requirements in **5.1.1, Part N of the Rules**, “product and process piping” means the piping used for cargo operations, cooling, heating, processing and disposing of boil-off gases which can possibly come into contact with the cargo. Refrigerant piping which does not directly come into contact with the cargo is not included.

2 For the product and process piping referred to in the **-1 above**, in addition to the requirements in **Chapter 5, Part N of the Rules**, the requirements in **Part D of the Rules** apply where deemed necessary by the Society.

N5.1.2 Process Pressure Vessels

1 For the purpose of the requirements in **5.1.2, Part N of the Rules**, “process pressure vessels” refers to the following means the pressure vessels: those used for cargo operations and cargo cooling; those used for the processing, etc. of boil-off gases; and those used for the temporary internal storage of cargo. The above includes heat exchangers, however, does not include pressure vessels used for refrigerants which are not being carried as cargo as well as the pressure receiving parts of cargo pumps, compressors and valves.

2 Of the process pressure vessels referred to in the **-1 above**, only the requirements in **4.23.2, 4.23.3-2, 4.23.3-1, 4.3.5, 4.19.2, 4.20.1, 4.23.6, 4.20.3-2, and 4.23.7, Part N of the Rules** apply to process pressure vessels not used for cargo storage.

N5.2 System Requirements

N5.2.2 Arrangements: General

1 The wording “precautions to ensure that cargo or cargo vapour cannot enter other piping systems through the interconnections” specified in **5.2.2-1(1), Part N of the Rules** means providing combinations of a screw-down check valve and a check valve or of a spectacle flange and a stop valve at the inter-connections of the cargo or cargo vapour lines and inert gas lines necessary for the operation. (See **Fig. N5.2.2-1**)

2 The screw-down check valve specified in the **-1 above** may be replaced with a combination of a check valve and stop valve. Furthermore, the spectacle flange may be replaced with a spool piece.

3 “Vertical trunkway” specified in **5.2.2-1(3), Part N of the Rules** is to comply with the following (1) to (7):

- (1) The access opening in the vertical trunkway is to comply with the requirements in **3.5.3, Part N of the Rules**;
- (2) The bilge discharge system in the vertical trunkway is to comply with the requirements in **3.7.2, 3.7.3 and 3.7.4, Part N of the Rules**;
- (3) A vent system which complies with the requirements in **8.2.2, Part N of the Rules** is to be provided for the vertical trunkway;
- (4) An inerting system which complies with the requirements in **9.2.2, Part N of the Rules** is to be provided for the vertical trunkway;
- (5) The electrical installations in the vertical trunkway are to comply with the requirements in **4.2.4, Part H of the Rules**, as applicable;
- (6) A ventilation system which complies with the requirements in **12.2, Part N of the Rules** is to be provided in the vertical trunkway; and
- (7) A gas detecting system which complies with the requirements in **13.6.2, Part N of the Rules** is to be provided for the vertical trunkway.

4 The wording “suitable means to relieve the pressure and remove liquid cargo” specified in **5.2.2-2, Part N of the Rules** means a residual liquid discharging piping led to the cargo tank, liquid cargo line or another drain tank.

5 The wording “means are provided to detect and dispose of any liquid cargo that may flow into the vent system” specified in **5.2.2-4, Part N of the Rules** requires that the following (1) and (2) (See **Fig. N5.2.2-2**) be complied with:

- (1) A means to dispose of liquid cargo such as a tank with a capacity larger than those determined in accordance with following

- (a) to (c) is to be provided. The material of the disposition tank is to be equivalent to the liquid cargo piping or of a higher grade, and in the case of pressurized cargo tanks, consideration is to be given to temperature drops due to expansion and evaporation.
- By assuming the possible state of liquid full condition that may actually take place, the quantity of liquid cargo to be covered is to be determined;
 - Due to heat input from fire, the quantity of expansion for the quantity of liquid indicated in (a) above to rise from the initial temperature (normally, the minimum design temperature of the pipeline) to the temperature of vapour saturation at the set pressure of the relief valve is to be obtained and used to determine the quantity of the liquid for the disposition tank; and
 - By giving consideration to the back pressure of the vent pipeline, the liquid phase quantity in the disposition tank of the inflow quantity obtained in the (b) above is to be computed to obtain the capacity.
- (2) As a means for detecting liquid cargo, a level sensor or temperature sensor, in the case of low temperature cargo tanks, and a level sensor, in the case of pressure cargo tanks, are to be provided in the disposition tank and are to issue alarms when the sensor functions.

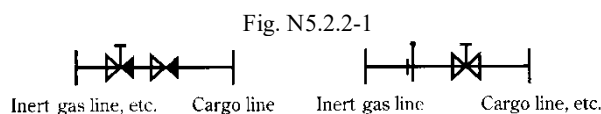
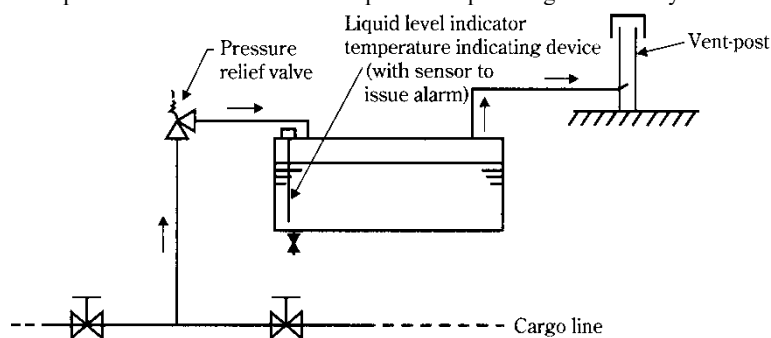


Fig. N5.2.2-2 Example of Means to Detect and Dispose of Liquid Cargo which may Flow into Vent Systems



N5.3 Arrangements for Cargo Piping outside the Cargo Area

N5.3.1 Emergency Cargo Jettisoning

For the purpose of the requirements in 5.3.1, Part N of the Rules, emergency cargo jettisoning piping systems are to comply with the requirements in 5.10, 5.3.3(3) and 3.8.6, Part N of the Rules.

N5.4 Design Pressure

N5.4.2 Design Pressure

1 For the purpose of the requirements in 5.4.2, Part N of the Rules, where design vapour temperatures higher or lower than 45°C are used, the requirements in N4.13.2 apply.

2 The “relief valve on a pipeline system” referred to in the requirements in 5.4.2(5), Part N of the Rules means one which is approved in accordance with the requirements in Annex 1 “GUIDANCE FOR EQUIPMENT AND FITTINGS OF SHIPS CARRYING LIQUEFIED GASES IN BULK”.

N5.4.4 Outer Ducts in Gas Fuel Piping Systems

1 The term “duct” specified in 5.4.4, Part N of the Rules includes the equipment enclosures required by 16.4.3, Part N of the Rules as well as structural pipe ducts intended to contain any release of gas from inner pipes or equipment. The term “structural pipe duct” means an outer duct forming part of a structure such as hull structures, superstructures or deck houses, where permitted, other than gas valve unit rooms.

- 2 The “gas valve unit rooms” specified in -1 above are to be in accordance with the following (1) to (3):
- (1) be gastight toward other enclosed spaces;
 - (2) be equipped with mechanical exhaust ventilation having a capacity of at least 30 air changes per hour and arranged to maintain a pressure less than atmospheric pressure; and
 - (3) be able to withstand the maximum built-up pressure arising in the room in the case of a gas pipe rupture, as documented by suitable calculations taking into account the ventilation arrangements.
- 3 The wording “design pressure of the outer pipe or duct” specified in 5.4.4, Part N of the Rules means one of the following:
- (1) The maximum pressure that can act upon the outer pipe or equipment enclosure after an inner pipe rupture. This pressure is to be documented by suitable calculations taking into account the venting arrangements; or
 - (2) For gas fuel systems with an inner pipe working pressure greater than 1 MPa, the maximum built-up pressure arising in the annular space after an inner pipe rupture. This pressure is to be calculated in accordance with 9.8.2, Part GF of the Rules.

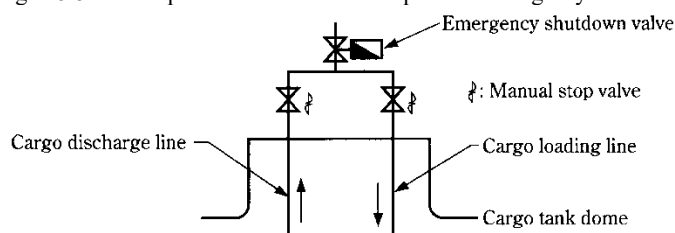
N5.5 Cargo System Valve Requirements

N5.5.2 Cargo Tank Connections

1 For the purpose of the requirements in 5.5.2-1 and -2, Part N of the Rules, no expansion joints are to be provided between the cargo tank and stop valves fitted to the cargo tank. The wording “valves are to provide full closure and are to be capable of local manual operation” specified in the requirements requires that the stop valves be fitted with manual operated closing means.

2 For the purpose of the requirements in 5.5.2-2, Part N of the Rules, the duplicated provisions of manual stop valve and emergency shutdown valve may be made in such a way as shown in Fig. N5.5.2.

Fig. N5.5.2 Duplicate Provisions of Stop Valve Emergency Shutdown



N5.5.3 Cargo Manifold Connections

1 The “transfer connections not in use” specified in 5.5.3-1, Part N of the Rules means those not used for cargo operation, for example, hose connection used for gas free operation. In this case, stop valve and blank flange are to be provided at the connection.

2 For the purpose of the requirements in 5.5.3, Part N of the Rules, the connection between the cargo hose connection and shore line is to be electrically bonded.

N5.5.6 Relief Valves

1 The wording “all pipelines or components which may be isolated in a liquid full condition” specified in 5.5.6, Part N of the Rules means, for example, those pipelines given in the following (1) and (2).

- (1) Pipelines between two adjacent stop valves; and
- (2) Pipelines between a stop valve and a compressor or pump likely to be liquid full. However, where the relief valve mounted on the compressor or pump is in effective condition, this requirement may be dispensed with.

2 For the pipelines indicated in the -1 above, a relief valve is to be provided irrespective of its design pressure. This relief valve is to be of approved ones in accordance with the requirements in the Annex 1 “GUIDANCE FOR EQUIPMENT AND FITTINGS OF SHIPS CARRYING LIQUEFIED GASES IN BULK”.

N5.6 Cargo Transfer Arrangements

N5.6.1 Means of Cargo Transfer

1 For the purpose of the requirements in 5.6.1, Part N of the Rules, when the cargo transfer methods are of the submerged pumps

or by deep well pumps, standby cargo pump or the cargo transfer installations according to **5.6.2, Part N of the Rules** are to be provided.

2 The standby cargo pump referred to in the **-1 above** may be such as to conform to the following requirements:

- (1) Where two sets or more cargo pumps are provided in one cargo tank, the provision of standby cargo pump may be omitted even when both of them are normally subjected to simultaneous operation. Where cargo tank of such a construction that it is separated by a bulkhead and connecting holes or bulkhead valve with remote control are not provided, each such tank separated by the bulkhead is to be regarded as one cargo tank.
- (2) The stripping pump may be regarded as a standby pump.
- (3) The eductor may be regarded as a standby pump. In this case, however, care is to be taken so that even when cargoes of different kinds are carried simultaneously, the driving fluid is available at all times.

3 The cargo pumps specified in **5.6.1, Part N of the Rules** are to be approved in accordance with the requirements of the **Annex 1 "GUIDANCE FOR EQUIPMENT AND FITTINGS OF SHIPS CARRYING LIQUEFIED GASES IN BULK"**.

N5.6.2 Cargo Transfer by Gas Pressurization

1 The "transfer of cargo by gas pressurization" specified in **5.6.2, Part N of the Rules** means, for example, pressurizing the cargo tank with cargo vapour pressurized by cargo compressor or cargo heater.

2 The compressor specified in the **-1 above** is to be approved in accordance with the **Annex 1 "GUIDANCE FOR EQUIPMENT AND FITTINGS OF SHIPS CARRYING LIQUEFIED GASES IN BULK"**.

N5.6.5 Cargo Sampling Connections

1 The requirements of **5.6.5, Part N of the Rules** are only applicable in cases where a sampling system is fitted on board. Connections used for controlling the atmosphere in cargo tanks during inerting or gassing up, however, are not considered to be cargo sampling connections.

2 For the purpose of **5.6.5, Part N of the Rules**, two valves on the sample inlet are, in general, to be located at least 500 mm apart from each other, except where a smaller distance is permitted by the Society.

3 In cases where gas sampling systems are connected to cargo transfer lines and where two valves are provided in accordance with **5.6.5, Part N of the Rules**, the relief valves specified in **5.5.6, Part N of the Rules** are to be provided. However, in the cases where measures are taken to prevent the retention of cargo liquid between such valves and where the following is complied with, the fitting of relief valves may be omitted.

- (1) Caution plates that show the procedures for gas sampling including how to operate both valves are to be provided at the operation position for gas sampling.
- (2) Confirmation whether both valves are open or closed are to be taken at the operation position for gas sampling.

N5.6.6 Cargo Filters

A means to indicate that "filters are becoming blocked" as specified in **5.6.6, Part N of the Rules** and that filter maintenance is required is to be provided for fixed in-line filter arrangements and portable filter installations where dedicated filter housing piping is provided. In cases where portable filters for fitting to manifold presentation flanges are used without dedicated filter housing, no additional arrangements for indicating blockage or facilitating drainage are required if these filters can be visually inspected after each loading and discharging operation.

N5.7 Installation Requirements

N5.7.2 Precautions against Low Temperatures

1 For the purpose of **5.7.2, Part N of the Rules**, for piping with design temperature lower than -5°C , the following requirements (1) to (3) are to be complied with to protect the hull structure.

- (1) The branches of the piping are to be insulated for thermally separating them from the hull structure. However, in cases where the materials of hull structures comply with the requirements given in **Table N6.5, Part N of the Rules** for the temperature obtained by heat transmission calculations in consideration of the design temperature of the piping, these requirements may be dispensed with.
- (2) As a means of protection for hull structures against cargo leakage from piping, drain pans or their equivalent manufactured from the materials specified in **Table N6.2, Table N6.3 and Table N6.4, Part N of the Rules** having sufficient capacity are to be arranged according to the design temperature of the piping at all locations where liquid leakage is likely.

(3) Drain pans or equivalent indicated in the (2) above are to be provided below all flange joints of liquid piping with design temperature not exceeding -55°C located outside the cargo tanks. However, in cases where the arrangement is made in such a way that the hull structures do not reach dangerous temperature even in case of leakage from flanges, these requirements may be dispensed with.

2 The materials of drain pans referred to in the -1(2) and (3) above may be made such that they comply with the requirements of *JIS* or recognized standards and are suitable for the design temperature of the piping system.

3 Where liquid leakages from additional cargo transfer equipment (including transfer loading arms, bunkering booms, transfer hoses, reducers, spool pieces and transfer hose reels) is anticipated, protection for the hull sections located beneath such equipment is to be provided in accordance with **5.7.2, Part N of the Rules**.

N5.7.3 Water Curtain

Ships provided with additional cargo transfer equipment (including transfer loading arms, bunkering booms, transfer hoses, reducers, spool pieces and transfer hose reels) are also to be provided with water distribution systems in way of hull sections beneath the equipment provided for shore connections in accordance with **5.7.3, Part N of the Rules**.

N5.7.4 Bonding

For the purpose of the requirements in **5.7.4, Part N of the Rules**, the electrical bonding is to conform to the requirements of **2.1.4, Part H of the Rules** and the resistance between the cargo tanks/process plant/piping systems and the hull of the ship is to be not greater than 1 MΩ. However, where provided with bonding straps, the measurement of the resistance for the places may be dispensed with. In cases where electrical bonding is necessary for cargo tanks and secondary barriers, such bonding is to be provided at readily accessible places.

N5.8 Piping Fabrication and Joining Details

N5.8.1 General

According to the requirements in **5.8.1, Part N of the Rules**, the following (1) to (3) may be applied to pipes in cargo tanks and pipes with open ends.

- (1) For pipes provided inside the cargo tanks with open ends, excluding pump discharge piping, the following requirements (a) and (b) apply:
 - (a) Butt welded joints with backing strips, sleeve joints and screw joints may be used in all cases.
 - (b) Slip-on and socket welded joints may be used in all cases.
- (2) Pipes with open ends provided outside the cargo tanks are to conform to the requirements specified in the (1)(a) and (b) above.
- (3) For pump discharging pipes provided inside the cargo tanks, butt weld joints and sleeve joints may be used in all cases in accordance with the requirements (1)(b) above.

N5.8.2 Direct Connections

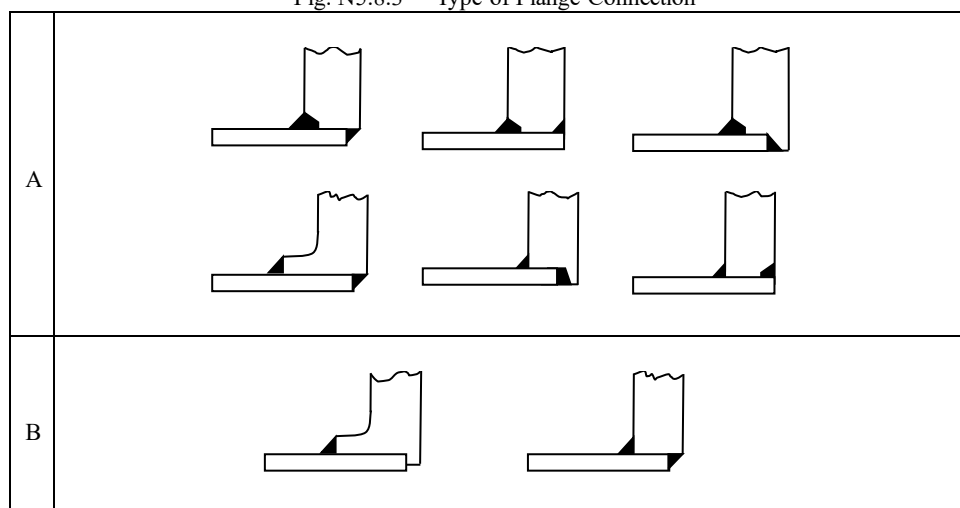
1 The wording “recognized standards” specified in **5.8.2(2), Part N of the Rules** means *JIS B 2316* or *JIS F 7810* or other equivalent standards.

2 The wording “recognized standards” specified in **5.8.2(3), Part N of the Rules** means *JIS B 0203* or other equivalent standards.

N5.8.3 Flanged Connections

For the purpose of **5.8.3-2, Part N of the Rules**, flange connections are to conform to *JIS* or other standards deemed appropriate by the Society for their type, manufacturing and testing. The term “slip-on flanges” here refers to the type described in A of **Fig. N5.8.3**, and “socket welded flanges” refers to the type described in B of **Fig. N5.8.3**.

Fig. N5.8.3 Type of Flange Connection



N5.9 Welding, Post-weld Heat Treatment and Non-destructive Testing

N5.9.2 Post-weld Heat Treatment

For the purpose of **5.9.2, Part N of the Rules**, the post-weld heat treatment of pipes with wall thickness not exceeding 10 mm may be omitted except for those required by the requirements in **11.6.4, Part D of the Rules**.

N5.9.3 Non-destructive Testing

1 For the purpose of **5.9.3, Part N of the Rules**, the radiographic testing method and the judgement for acceptance are to conform to the requirements in **D11.6.5-2** and **-3**.

2 The wording “procedures approved by the Society” specified in **5.9.3(2), Part N of the Rules** requires that well-documented quality assurance procedures and records are available to enable the Society to assess the ability of the manufacturer to produce satisfactory welds consistently.

3 The “other non-destructive tests” referred to in **5.9.3(3), Part N of the Rules** means, depending upon the use of the pipe, magnetic particle testing or liquid penetrant testing, and the testing procedures are to conform to the requirements in **D11.4.6-3** and **-4**.

N5.11 Piping System Component Requirements

N5.11.2 Pipe Wall Thickness

1 For the purpose of **5.11.2, Part N of the Rules**, the following requirements (1) to (4) are to be complied with:

- (1) The joint efficiency of electric-resistance welded pipes where non-destructive testing for full length of weld lines is not conducted is to be 0.85;
- (2) For methane, propane, butane, butadiene and propylene cargoes, the corrosion allowance is to be 0.3 mm for carbon-Mn steel and 0 mm for stainless steel and aluminium alloys. Where effective corrosion controls are taken for the interior of carbon-Mn steel pipes, the corrosion allowance may be 0.15 mm;
- (3) In addition to the (2) above, for carbon-Mn steel pipes arranged on open decks without any effective external corrosion-control means, 1.2 mm is to be added to the required corrosion allowance; and
- (4) The negative manufacturing dimensional deviation in pipe thickness is, except where expressly provided for otherwise, to be in accordance with the requirements in **4.1.7, 4.2.7, 4.3.7, 4.4.7** and **4.5.7, Part K of the Rules**.

2 For the purpose of **5.11.2-3, Part N of the Rules** means the value given in column F of **Table D12.6(2), Part D of the Rules** for carbon-Mn steel, and the value corresponding to Schedule 10S for stainless steel. However, for steel pipes provided with effective corrosion control or those not arranged under corrosive environment, the value may be reduced to the extent acceptable to the Society with a limitation of 1 mm. Furthermore, the value for pipes in cargo tanks and pipes having open ends may also be reduced to the extent acceptable to the Society.

3 For the purpose of **5.11.2-4, Part N of the Rules**, if necessary on the basis of the results of the stress analysis specified in **5.11.5**,

Part N of the Rules or in cases where suitable supports and means to absorb structural expansion and contraction cannot be arranged due to the location of the on-deck piping, etc., the pipe size is to be increased.

4 As a presumption for the condition indicated in the -3 above, the supports for piping are to be so arranged as to prevent exertion of the self-weight of the pipe onto valves or other fittings and to prevent the generation of excessive vibration.

N5.11.5 Stress Analysis

1 For the purpose of 5.11.5, **Part N of the Rules**, the calculation conditions and evaluation items in the stress analysis are to be standardised in accordance with the following requirements (1) to (5):

- (1) In cases where temperature and pressure conditions of the piping are different at each stage of operation, stress analysis is to be performed for all cases or is to be performed considering the calculation conditions that encompass all cases. For the temperature condition, a state uniformly cooled down to the design temperature is to be considered, and a reference temperature (where thermal stress = 0) of 15°C is to be regarded as standard.
- (2) Loading conditions are to be in accordance with the following (a) to (i):
 - (a) As the internal pressure, the design pressure specified in 5.4.2, **Part N of the Rules** is to be considered.
 - (b) Insulation materials are not to be considered as contributing to pipeline strength in any way.
 - (c) In principle, the self-weight of pipelines and internal media, and the inertia forces due to acceleration of the ship's motion are to be considered.
 - (d) As the forced displacement, the forced strains corresponding to the allowable sagging moment and hogging moment for the hull are to be considered. However, this does not apply to cases in which the pipelines are located in a compartment that is not affected by hull deformation. Forced displacement during cargo transfer due to thermal contraction of cargo tanks to which the pipelines are connected and forced displacement through support members for pipelines due to deformation of hull structure (e.g. racking deformation) are also to be considered, if not negligible.
 - (e) For the thermal load, a load which can be determined in accordance with (1) above is to be considered.
 - (f) For external load, the load applied to the manifold from the loading arm or other means is to be considered. In such cases, the loads indicated in the standards or other documents, deemed appropriate by the Society, may be referred to for this purpose. In cases where the thrust load due to the blowout of the safety valves installed in the cargo tanks or pipes is not negligible, this load is also to be considered.
 - (g) In cases where expansion bellows are installed, displacement due to internal pressure and thrust loads (if any) are to be considered.
 - (h) In cases where double wall piping is installed, the loads exerted on the inner pipe by gas pressure between the inner pipes and outer pipes are to be considered.
 - (i) In cases where pipelines are divided into multiple models, the boundaries of the models are, in principle, to be completely fixed.
- (3) Support conditions are to be as deemed appropriate by the Society depending upon the construction, arrangement and the materials used for pipe supports.
- (4) As part of the integrity evaluation of the pipelines, stresses and reaction forces received from support members are to be evaluated. In cases where support members are installed between the inner pipes and outer pipes in double wall piping, the reaction force received from the support members is also to be evaluated. However, if the effect of the reaction force received from the support members can be evaluated as stresses in the pipelines, such as in cases where the model is created using shell elements, evaluation only for the stresses is acceptable. In addition, it is to be confirmed that the displacement does not cause the inner pipes and outer pipes to come into contact.
- (5) Allowable stresses and allowances of reaction forces are to be as deemed appropriate by the Society depending upon the calculation method and materials used for pipelines.

2 For the purpose of 5.11.5, **Part N of the Rules**, stress analysis may be required for piping with design temperatures higher than -110°C where the following (1) to (3) are relevant:

- (1) where suitable supports or means to absorb structural expansion and contraction cannot be arranged due to the location of on-deck piping arrangements;
- (2) where new supporting method or new means to absorb expansion and contraction are used; and
- (3) other cases deemed necessary by the Society.

N5.11.6 Flanges, Valves and Fittings

1 For the purpose of **5.11.6, Part N of the Rules**, fittings are to comply with the following requirements (1) and (2):

- (1) Valves, flanges and other fittings are to comply with the *JIS* requirements for their type and size; and
- (2) The design pressure of bellows-type expansion joints to be used in vapour piping may be taken as 0.2 MPa for those provided on open-ended lines or pressure relief valve discharge lines, and the lower of 0.5 MPa, or 10 times the relief valve set pressure for those provided on other pipelines.

2 For the purpose of **5.11.6-4, Part N of the Rules**, expansion bellows are to be approved in accordance with the requirements of **Annex 1 “GUIDANCE FOR EQUIPMENT AND FITTINGS OF SHIPS CARRYING LIQUEFIED GASES IN BULK”**.

N5.11.7 Ship’s Cargo Hoses

For the purpose of **5.11.7, Part N of the Rules**, the cargo hoses carried by the ship are to be approved in accordance with the requirements of **Annex 1 “GUIDANCE FOR EQUIPMENT AND FITTINGS OF SHIPS CARRYING LIQUEFIED GASES IN BULK”**.

N5.12 Materials**N5.12.1 Materials**

1 For the purpose of **5.12.1, Part N of the Rules**, the materials used for piping, valves and fittings are to comply with the relevant requirements in **Chapter 6, Part N of the Rules**, and at the same time, to conform to the relevant requirements in **Part K of the Rules**. However, for materials used for the piping specified in the following (1) to (5), those conforming to *JIS* or other standards deemed appropriate by the Society may be used where they comply with the requirements in **Chapter 6, Part N of the Rules**.

- (1) Pipes, valves and pipe fittings used for cargo piping and process piping with design pressures not exceeding 1 MPa and design temperatures of 0°C or more.
- (2) Valves and pipe fittings used for cargo piping and process piping with design pressures not exceeding 3 MPa and design temperatures of 0°C or more as well as nominal diameters less than 100 A.
- (3) Pipes, valves and pipe fittings used for accessory piping or instrumentation piping with diameters not exceeding 25 mm irrespective of design pressure and design temperature.
- (4) Open-ended pipes provided inside and outside cargo tanks, excluding membrane and semi-membrane tanks, with design temperatures of -55°C or higher.
- (5) Pipe joints of a butt welded type and pipe joints of a slip-on sleeve welded type (such as elbows, reducers, tees, bends and sockets, etc.) for which hot forming or heat treatment is carried out during their manufacturing process in accordance with the requirements in **D12.6.1(1)(a)ii, Part D of the Guidance** on the condition that they receive approval of use from Society in accordance with **Chapter 12, Part 6 of the Guidance for the Approval and Type Approval of Materials and Equipment for Marine Use**.

2 Notwithstanding the requirements in the **-1 above**, piping having open ends not coming into contact with the liquid cargo led from the pressure relieving valves of cargo tanks and cargo piping or process piping with design temperatures of -55°C or higher may not be made of steel used for low temperature services specified in **Table N6.4, Chapter 6, Part N of the Rules**. Furthermore, piping material may be such as to comply with *JIS* or other standards deemed appropriate by the Society.

N5.12.2 Materials Having a Lower Melting Point

For the purpose of **5.12.2, Part N of the Rules**, the insulation applied to short pipes with a melting point lower than 925°C which are fitted to cargo tanks, excluding the minimum range of area necessary for the inspection and maintenance of pipe flanges, is to be protected according to **4.19.3-4, Part N of the Rules**. Furthermore, insulation materials for cargo piping and other piping are to conform to the requirements in **N4.19.3-6(2)** as well as **5.12.3-2, Part N of the Rules**.

N5.12.3 Cargo Piping Insulation

1 The wording “a thermal insulation system as required to minimize heat leak into the cargo during transfer operations” specified in **5.12.3-1, Part N of the Rules** means that properties of the piping insulation are to be taken into consideration when calculating the heat balance of the containment system and capacity of the pressure/temperature control system.

2 The wording “protect personnel from direct contact with cold surfaces” specified in **5.12.3-1, Part N of the Rules** means that surfaces of cargo piping systems with which personnel are likely to come into contact with under normal conditions are to be protected

by thermal insulation, except in cases like the following examples:

- (1) Surfaces of cargo piping systems which are protected by physical screening measures to prevent such direct contact;
- (2) Surfaces of manual valves provided with extended spindles to protect the operator from the cargo temperature;
- (3) Surfaces of cargo piping systems whose design temperatures (to be determined from inner fluid temperature) are above $-10\text{ }^{\circ}\text{C}$.

N5.13 Testing Requirements

N5.13.1 Type Testing of Piping Components

1 For the purpose of **5.13.1-1, Part N of the Rules**, those valves which are relevant to the following **(1)** or **(2)** are to be approved in accordance with the requirements in **Annex 1 “GUIDANCE FOR EQUIPMENT AND FITTINGS OF SHIPS CARRYING LIQUEFIED GASES IN BULK”**.

- (1) All valves used for the cargo and process piping.
- (2) All valves used for accessory piping or instrumentation piping.

2 The wording “to be certified” specified in **5.13.1-1(2), Part N of the Rules** means the following:

- (1) For pressure relief valves (PRVs) that are subject to **8.2.5, Part N of the Rules**, the flow or capacity is to be approved by the Administration or by the Society in accordance with the requirements of the **Annex 1 “GUIDANCE FOR EQUIPMENT AND FITTINGS OF SHIPS CARRYING LIQUEFIED GASES IN BULK”**; or
- (2) For other types of valves, the manufacturer is to certify the flow properties of the valves based on tests carried out according to recognized standards deemed appropriate by the Society.

3 “Emergency shutdown valves, with materials having melting temperatures lower than 925°C ” referred to in the requirements in **5.13.1-1(4), Part N of the Rules** does not include an emergency shutdown valve in which components made of materials having melting temperatures lower than 925°C do not contribute to the shell or seat tightness of the valve.

4 For the purpose of **5.13.1-2, Part N of the Rules**, all bellows-type expansion joints provided for all cargo piping, including the cargo liquid/vapour piping, provided both inside and outside tanks as well as vent piping with open ends are to be approved in accordance with the requirements of the **Annex 1 “GUIDANCE FOR EQUIPMENT AND FITTINGS OF SHIPS CARRYING LIQUEFIED GASES IN BULK”**.

N5.13.2 System Testing Requirements

1 For the purpose of **5.13.2-3, Part N of the Rules**, the leak test of piping systems are to be conducted at a pressure which are 90% of the design pressure of the piping. Test pressures, however, may be modified when the test is conducted using a liquid which has high leak detecting ability.

2 The wording “maximum pressure at gas pipe rupture” specified in **5.13.2-4, Part N of the Rules** is the maximum pressure to which the outer pipe or duct is subjected after the inner pipe rupture. For testing purposes, it is the same as the design pressure specified in **5.4.4, Part N of the Rules**.

3 The term “duct” specified in **5.13.2-4, Part N of the Rules** means that specified in **N5.4.4-1**.

4 For the purpose of **5.13.2-5, Part N of the Rules**, tests are to be conducted according to the requirements in **N4.20.3-4** to **-7**.

N6 MATERIALS OF CONSTRUCTION AND QUALITY CONTROL

N6.2 Scope and General Requirements

N6.2.3 Properties after Post-weld Heat Treatment

For the purpose of the requirements in **6.2.3, Part N of the Rules**, when post-weld heat treatment is carried out, the properties of the base material are to be in accordance with the requirements given in **Table N6.1** to **Table N6.4, Part N of the Rules** in the heat treated condition or equivalent condition whether such post-weld heat treatment is regarded in **6.6.2** or **5.9.2, Part N of the Rules** or not. Welding procedure qualification tests and production weld tests specified in the requirements in **6.3, Part N of the Rules** are to satisfy the requirements in **6.5.3-5** and **6.5.5, Part N of the Rules** in the heat treated condition.

N6.3 General Test Requirements and Specifications

N6.3.1 Tensile Test

For the purpose of the requirements in **6.3.1-2, Part N of the Rules**, the required values of tensile strength, yield stress and elongation of a material are to be in accordance with the requirements in **Part K of the Rules** applicable to the material.

N6.3.2 Toughness Test

The wording “To be in accordance with Recognized Standard” referred to in the requirements given **6.3.2-1, Part N of the Rules** means to refer to **note (5) of Table K4.28, Part K of the Rules**.

N6.3.4 Section Observation and Other Testing

The wording “To be carried out as deemed appropriate by the Society” referred to in the requirements given **6.3.4, Part N of the Rules** means to refer to, for welding procedure tests of the cargo tanks and process pressure vessels, **N6.5.3-1(2)**.

N6.4 Requirements for Metallic Materials

N6.4.1 General Requirements for Metallic Materials

1 For the purpose of the requirements in **Table N6.1, Part N of the Rules**, the following requirements **(1)** to **(3)** are to be complied with:

- (1) The use of the longitudinally or spirally welded pipes given in the Note 1 of the Table is to be in accordance with the relevant requirements in **Chapter 4, Part K of the Rules**.
- (2) Fittings of Type *C* independent tanks and process pressure vessels with the design pressure not exceeding 3 MPa and design temperature of 0°C or more and nominal diameter less than 100A.
- (3) The controlled rolling as a substitution for normalizing may be of the temperature controlled rolling or Thermo-Mechanical Controlled Processing (*TMCP*).

2 The controlled rolling as a substitution for normalizing or tempering and quenching given in Note 4 of **Table N6.2, Part N of the Rules** may be of *TMCP*.

3 For the purpose of the requirements in **Table N6.3, Part N of the Rules**, the following requirements **(1)** to **(4)** are to be complied with:

- (1) For the purpose of the requirements in Note 2 of the Table, aluminium alloy of 5083, austenitic stainless steel, 36%Ni steel and 9%Ni steel may be used at the design temperature up to -196°C.
- (2) For the purpose of the requirements in Note 4 of the table, 9% Ni steel greater than 25 mm and up to 40 mm in thickness is to be in accordance with the requirements for 9% Ni steel not greater than 25 mm.
- (3) For the purpose of the requirements in Note 5 of the Table, the chemical composition limit of a material, if the material specified in **Part K of the Rules**, is to be in accordance with the relevant requirements in **Part K**.
- (4) For the purpose of the requirements in Note 9 of the Table, the omission of the impact test given in Note 9 of this Table may generally be accepted for the austenitic stainless steel of the type referred to in the Table.

4 For the purpose of the requirements in **Table N6.4, Part N of the Rules**, the following requirements (1) through (5) are to be complied with:

- (1) The use of longitudinally or spirally welded pipes given in Note 1 of the Table is to be in accordance with the requirements in **Chapter 4 and 8, Part K**.
- (2) The requirements for forgings and castings given in Note 2 of the Table are to be in accordance with the relevant requirements in the **Part K**, if specified.
- (3) For the design temperature given in Note 3 of the Table lower than -165°C, the provision in the preceding **-3(1)** are to apply.
- (4) The chemical composition limit given in Note 5 of the Table is to be in accordance with the requirements in the preceding **-3(3)**.
- (5) The omission of the impact test given in Note 8 of this Table are to be in accordance with the requirements in the preceding **-3(4)**.

5 For the purpose of the requirements in **6.4.1(6), Part N of the Rules**, the specifications of a certain type of material, if specified in **Part K of the Rules**, is to be in accordance with the relevant requirements in **Part K of the Rules**.

N6.5 Welding of Metallic Materials and Non-destructive Testing

N6.5.1 General

1 The requirements in **6.5, Part N of the Rules** apply to independent tanks, semi-membrane tanks, process pressure vessels, integral tanks and piping. The requirements on membrane tanks, are to the satisfaction of the Society depending on the structural type of the tank.

2 For the purpose of the requirements in **6.5, Part N of the Rules**, the following requirements (1) and (2) are to be complied with.

- (1) The impact test for welded joint may generally be omitted for austenitic stainless steels of types given in **Table N6.3 and Table N6.4, Part N of the Rules**.
- (2) The impact test for welded joint may generally be omitted for aluminum alloys of type 5083. In addition, additional tests may be required to verify the toughness of the material for aluminium alloys other than type 5083.

N6.5.3 Welding Procedure Tests for Cargo Tanks, Process Pressure Vessels and Secondary Barriers

1 For the purpose of the requirements in **6.5.3-4, Part N of the Rules** the following requirements (1) and (2) are to be complied with:

- (1) Longitudinal bend tests which are required in lieu of transverse bend tests in the case where the base material and weld metal have different strength level are to be in accordance with the requirements in **4.2, Part M of the Rules**.
- (2) For the purpose of the requirements in **6.5.3-4, Part N of the Rules**, for type C independent tanks and process pressure vessels, macroscopic and microscopic examinations and hardness tests are to be carried out according to the requirements in **Chapter 11, Part D of the Rules**. For other independent tanks, integral tank and semi-membrane tanks, macroscopic examinations are to be carried out according to the requirements in **Chapter 4, Part M of the Rules**.

2 For the purpose of the requirements in **6.5.3-5, Part N of the Rules**, the welding procedure qualification tests are also to be complied with the relevant requirements in **Chapter 4, Part M** and **Chapter 11, Part D of the Rules**.

3 For the purpose of the requirements in **6.5.3-5(1), Part N of the Rules**, the transverse tensile strength of weld metal which has lower tensile strength than that of the parent metal is to be complied with the requirements in **4.2.5, Part M of the Rules**.

4 For the purpose of the requirements in **6.5.3-5(2), Part N of the Rules**, bend tests are also to be complied with the requirements in **4.2.6, Part M of the Rules**.

5 For the purpose of the requirements in **6.5.3-5(3), Part N of the Rules**, the test temperature of impact tests may be determined in accordance with the requirements in **N4.19.2**.

6 For the purpose of the requirements in **6.5.3-7, Part N of the Rules**, the test temperature of impact tests is to be the temperature prescribed for the base material being joined. However, this temperature may be determined in accordance with the requirements in **N4.19.2**.

N6.5.4 Welding Procedure Tests for Piping

For the purpose of the requirements in **6.5.4, Part N of the Rules**, welding procedure qualification tests for pipes are also to be in accordance with the relevant requirements in **Chapter 11, Part D** and **Chapter 4, Part M of the Rules** are to be complied with.

N6.5.5 Production Weld Tests

1 Production weld tests are to comply with the following:

(1) Test procedures

- (a) The production weld tests are to be carried out for welded joints made under the same welding procedure, welding position and welding conditions.
- (b) Test assemblies are, in principle, to be located on the same line as the welded joints of the body and to be welded at the same time of welding of the body.

(2) Kind of test

The kind of the test is to be as given in **Table N6.5.5-1**. In the case of Type *A* and Type *B* independent tanks, tensile tests need not be carried out.

(3) Test assemblies

The shape and size of test assemblies are to be as shown in **Fig. N6.5.5-1**.

(4) Test specimens

- (a) The shape and size of tensile test specimens are to be of the *U2A* or *U2B* test specimen specified in **Table M3.1, Part M of the Rules**.
- (b) The shape and size of bend test specimens are to be of the *UB-1*, *UB-2* and *B-10* test specimens specified in **Table M3.2, Part M of the Rules**. For test specimens with a thickness not less than 12 mm, side bend test specimens may be substituted for face bend and root bend test specimens.
- (c) Impact test specimens are to be the *U4* test specimen specified in **Table K2.5, Part K of the Rules**. In the impact test, one set of test specimens comprising three pieces are to be taken from every test assembly.
The test specimens are to be taken alternately from the position *A* and from a position among *B* through *E* where the lowest value is recorded in the welding procedure qualification test, shows in **Fig. M4.4, Part M of the Rules**. This means that one set of three test specimens are taken from a test assembly at the position *A*, thence other set of three test specimens are taken in the subsequent test assembly from the position among *B* through *E* where the lowest value is recorded, and this procedure is repeated.

(5) Tensile tests

The tensile strength of weld metal is to be more than the specified value of the base metal. However, the tensile strength of weld metal which has lower tensile strength than that of the parent metal is to be complied with **4.2.5, Part M of the Rules**.

(6) Bend tests

- (a) The bend test specimen is to be bent up to an angle of 180 degrees by a test jig with an inner radius of double the thickness of the test specimen.
- (b) The results of the bend test are to be as free from cracks exceeding 3 mm in length in any direction on the outer bent surface and from other significant defects.

(7) Impact tests

- (a) Minimum average energy values are to be the value prescribed for the base material being joined. However, test temperature may be determined in accordance with the requirements in **N4.19.2**.
- (b) Minimum single energy values are to be in accordance with **6.5.3-5(3), Part N of the Rules**.
- (c) For type *C* independent tanks and process pressure vessels, notwithstanding the preceding (b), minimum single energy values are to be in accordance with **11.5.4-1(3)(b), Part D of the Rules**.

2 For the purpose of **6.5.5-1, Part N of the Rules**, the number of test specimens for production weld tests of secondary barriers may be reduced to the extent as deemed appropriate by the Society considering the experience of same welding procedures in past, workmanship and quality control. In general, intervals of production tests for secondary barriers may be approximately 200 m of butt weld joints and the tests are to be representative of each welding position.

3 For the purpose of **6.5.5-5, Part N of the Rules**, number of test specimens for the production weld tests for integral tanks may be reduced to the same level as in the case of secondary barrier given in the preceding **-2**. Production weld tests for membrane tanks are left to the discretion of the Society depending on the construction system of the tank.

4 Procedures for additional tests before rejection are to comply with the following:

(1) Tensile tests

The requirements in **11.5.4-3, Part D of the Rules** are to be complied with.

- (2) Bend tests
 - (a) The requirements in 4.2.12-2, Part M of the Rules are to be complied with.
 - (b) For type C independent tanks and process pressure vessels, notwithstanding the preceding (a), bend tests are to be in accordance with 11.5.4-3, Part D of the Rules.
- (3) Impact tests
 - (a) The requirements in 6.3.2-4, Part N of the Rules are to be complied with.
 - (b) For type C independent tanks and process pressure vessels, notwithstanding the preceding (a), impact tests are to be in accordance with 11.5.4-3, Part D of the Rules.

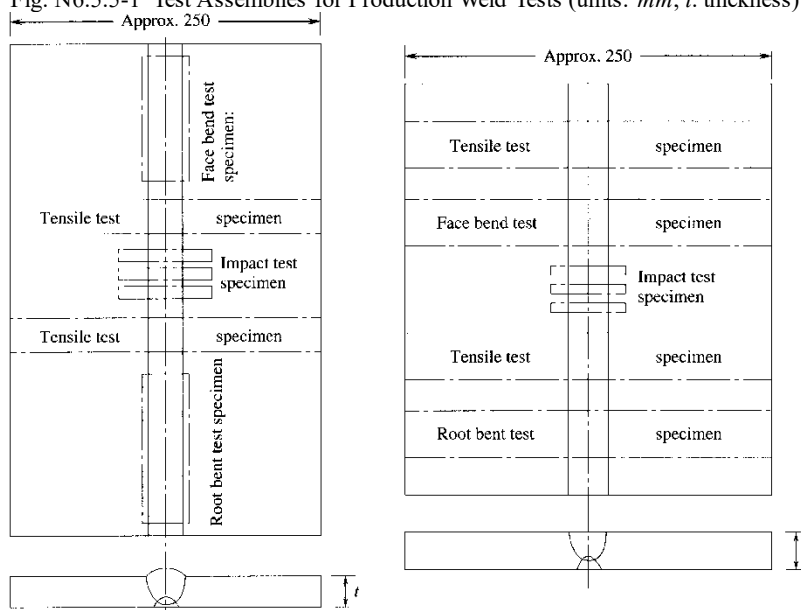
Table N6.5.5-1 Kinds of Tests

Material	Kind of test
9% Ni steel	Tensile test, bend test and impact test
Austenitic stainless steel	Tensile test and bend test
Aluminium alloy ⁽¹⁾	Tensile test and bend test
Others	Tensile test, bend test and impact test

Note:

- (1) For aluminium alloys other than type 5083, additional tests may be required to verify the toughness of the material.

Fig. N6.5.5-1 Test Assemblies for Production Weld Tests (units: mm, t: thickness)



(a) For 9% Ni steel

(b) For materials other than (a)

Note:

- (1) In the case of Type A and Type B independent tanks, tensile tests need not be carried out.

N6.5.6 Non-destructive Testing

1 The following requirements (1) through (4) are to apply as the testing procedures and acceptance criteria for the non-destructive tests referred to in the requirements in 6.5.6-1, Part N of the Rules:

- (1) Radiographic testing is to comply with the requirements specified in 11.4.5, Part D of the Rules. The requirements specified in D11.4.5-2(2), however, are not to be applied.
- (2) For ultrasonic tests, the requirements in 11.4.6-2, Part D of the Rules apply correspondingly.
- (3) For magnetic particle test, the requirements in 11.4.6-2, Part D of the Rules apply correspondingly.
- (4) For dye penetrant tests, the requirements in 11.4.6-2, Part D of the Rules apply correspondingly.

2 Where ultrasonic tests are performed as a substitution for radiographic tests according to the requirements in **6.5.6-1, Part N of the Rules**, at least 10% of the whole testing objects are to be subjected to radiographic tests.

3 For the non-destructive tests specified in the requirements in **6.5.6-2, Part N of the Rules** for the remaining welds of tank plates of type *A* and *B* independent tanks and semi-membrane tanks other than butt welds, fillet welds of highly stressed parts of main structural members of cargo tanks are to be examined magnetic particle or dye penetrant tests given in **-1** above. Butt welds of highly stressed parts of main structural members such as face plates of girders are to be subjected to radiographic test given in **-1** above.

4 For the purpose of the requirements in **6.5.6-5(2), Part N of the Rules**, the ultrasonic testing is to be conducted in the following cases **(1)** and **(2)**:

- (1) In case where defect detection by radiographic testing fails and ultrasonic testing is considered additionally necessary.
- (2) In case where ultrasonic testing is considered necessary for the quality control of essential structural members.

5 For the purpose of the requirements in **6.5.6-8, Part N of the Rules**, radiographic tests of secondary barriers where the hull structure acts as the secondary barrier are to be carried out for butt welded joints of the double bottom tank top platings and bulkhead platings in addition to the objects of inspections specified in **Chapter 8, Part M of the Rules**. Acceptance criteria of radiographic tests are to be in accordance with the requirements specified in **Chapter 8, Part M of the Rules**.

6 For the purpose of the requirements in **6.5.6-9, Part N of the Rules**, the welding inspection procedures and acceptance criteria for integral tanks are to comply with the requirements in **6.5.6-3, Part N of the Rules** correspondingly. The procedures and criteria for membrane tanks are to be to the satisfaction of the Society, depending on the structural type of the tanks.

N6.6 Other Requirements for Construction in Metallic Materials

N6.6.2 Independent Tank

1 For the purpose of the requirements in **6.6.2-1, Part N of the Rules**, the allowable dimensional deviations for the manufacture and fabrication are to conform to the requirements in **11.5.2, Part D of the Rules**, and in addition to the requirements in *JIS B 8265* or recognized standards.

2 For the purpose of the requirements in **6.6.2-2, Part N of the Rules**, the stress relieving is to be in accordance with the following requirements **(1)** to **(3)**:

- (1) The post-weld heat treatment is to comply with the requirements in **11.3, Part D of the Rules**.
- (2) For 9% *Ni* steel, 5% *Ni* steel and aluminium alloy 5083-*O*, post-weld heat treatment may, in general, be omitted.
- (3) For cargo tanks made of carbon steel and carbon manganese steel with the design temperature of -10°C or more, the requirements in **D11.5.3** may be based upon except for cargo tanks anticipated to carry chlorine, ammonia and toxic cargoes.

N6.6.5 Membrane Tanks

1 For the purpose of the requirements in **6.6.5, Part N of the Rules**, quality assurance procedure, welding control, design details, quality control of materials, construction method, inspection and standards of production testing of components for membrane tanks are to be developed during the prototype test specified in **4.24.8, Part N of the Rules** or another prototype test separately conducted for development of production procedure, and their effectiveness is to be verified. The relevant data is to be noted in the construction procedure manual for cargo tanks including the insulation construction of membrane tanks.

2 The construction procedure manual referred to in the preceding **-1** is to be approved by the Society after being verified through prototype test.

N7 CARGO PRESSURE/TEMPERATURE CONTROL

N7.1 Methods of Control

N7.1.2 Design Requirement for Dangerous Cargoes

The “certain cargoes specified in **Chapter 17**” referred to in **7.1.2, Part N of the Rules** means the cargoes to which **17.3.2, Part N of the Rules** apply as required in column “f” in **Table N19.1, Part N of the Rules**.

N7.2 Design of Systems

The increments/decrements of design ambient temperature specified in the requirements in **7.2, Part N of the Rules** are to be in accordance with **N4.13.2**.

N7.3 Reliquefaction of Cargo Vapours

N7.3.1 General

1 The “requirements of **Chapters 17 and 19 of this Part** may preclude the use of one or more of these systems or may specify the use of a particular system” referred to in the requirements in **7.3.1, Part N of the Rules** means those cases which the application of the provisions of **17.4.1, Part N of the Rules** is required in column “f” in **Table N19.1** in **Chapter 19, Part N of the Rules**.

2 For the purpose of the requirements in **7.3.1, Part N of the Rules**, the reliquefaction system is to comply with the following requirements **(1)** to **(3)**:

- (1) For the refrigerating plant, the following requirements **(a)** and **(b)** are to be complied with:
 - (a) In the case of indirect system, the relevant requirements in **Chapters Chapter 1, 3, 4 and 6 of the Rules for Cargo Refrigerating Installations** are to be complied with.
 - (b) In the case of the direct system, the following requirements **i)** through **vii)** are to be complied with:
 - i) The construction of compressors is to be such that causes only a small amount of gas leakage and without sparks.
 - ii) A relief valve or overpressure preventing device is to be provided on the discharge from the compressor. However, when overpressure is unlikely, this requirement may be dispensed with. The vent pipe of the relief valve of the compressor is to be led to the vent system specified in **8.2.10, Part N of the Rules**.
 - iii) A pressure gauge is to be provided on the discharge side of the compressor.
 - iv) Means to avoid the entry of cargo liquid are to be provided cargo into the compressor.
 - v) The requirements in **3.1.3, 3.2.4, 3.2.5, 6.1.1** and **6.1.2 of the Rules for Cargo Refrigerating Installations** apply correspondingly.
 - vi) The temperature of the cooling sea water used in the calculation of capacity of the refrigeration plant is to be the ambient sea water temperature specified in **7.2, Part N of the Rules**.
 - vii) The compressors and heat exchangers are to be approved in accordance with the requirements of the **Annex 1 “GUIDANCE FOR EQUIPMENT AND FITTINGS OF SHIPS CARRYING LIQUEFIED GASES IN BULK”**.
- (2) For pressure vessels and pipings, the requirements in **5.1.1** and **5.2, Part N of the Rules** and **N5.1.1** and **N5.2.2-1** are to be complied with.
- (3) For pressure relief valves, level gauges and other fittings, the relevant requirements in **Chapters 5, 8** and **13, Part N of the Rules** apply correspondingly as necessary.

N7.3.2 Compatibility

For the purpose of the requirements in **7.3.2, Part N of the Rules**, the compressors for the refrigerant and other equipment that directly handle the refrigerant are, as a rule, to be installed within the cargo area. However, in case where proper means of detecting the leakage of the cargo into the refrigerant and shutting-off the inflow of the leaked cargo to the spaces outside the cargo area after the detection of leakage is established depending on the possibility of cargo leakage into the refrigerant pipes within the heat exchangers,

this requirement may be dispensed with.

N7.7 Segregation

The “cargoes which may react chemically in a dangerous manner” referred to in 7.7, Part N of the Rules means those cargoes in combination as given in Table N7.7. For other cargoes not given in this Table, except for those given in the notes of the Table, decision is to be taken in each case upon investigating the physical properties.

Table N7.7 Cargoes which may React Chemically in a Dangerous Manner

Group No.	Groups	Product name	Group No.							
			6	7	16	19	30	31	35	36
6	Ammonia	Ammonia, anhydrous	-		H	H				
7	Aliphatic amines	Dimethylamine Monoethylamine		-	H	H				
16	Alkylene oxides	Propylene oxide	H	H	-					
19	Aldehydes	Acetaldehyde	H	H		-				
30	Olefines	Butadiene Ethylene Propylene Butylene Methyl acetylene -propadiene alxtures					-			
31	Paraffins	Butane Ethane Metthane (LNG) Propane						-		
35	Viny halides	Vinyl chloride							-	
36	Halogenated hydrocarbons	Ethyl chloride Methyl bromide Methyl chloride								-

Notes:

1. “H” in Table denotes possibility of dangerous reaction whereas blank column signifies no possibility of such reaction.
2. In general, chlorine and ethylene oxide are to be individually refrigerated or not carried together with other cargo.
3. Nitrogen has no danger of reacting with other cargo.

N8 CARGO TANK VENT SYSTEMS**N8.1 General****N8.1.1 General**

For the purpose of the requirements in **8.1.1, Part N of the Rules**, the pressure relief systems of hold spaces and interbarrier spaces are to be in accordance with the following requirements **(1)** to **(3)**:

- (1) In hold spaces not regarded as the interbarrier space and environmental control within the space is required in accordance with the provisions in **9.2** and **9.3, Part N of the Rules**, one or more pressure relief systems of sufficient capacity are to be provided. The set pressure of those pressure relief systems is to be so set as not to exceed the design pressure of the cargo containment system and hull construction under the condition of dry air sealing or inerting. The location of the vent discharge outlet to which the outlets from the pressure relief systems is lead is to be in accordance with the requirements in **13.6.4, Part D of the Rules**, and in addition, consideration is to be given so as not to cause the inert gas to accumulate on deck.
- (2) The pressure relief systems of hold spaces regarded as the interbarrier space or part thereof are to conform to the requirements in the following **(3)** and **N8.2.2**.
- (3) The sizes of interbarrier spaces pressure relief devices are to conform to the following requirements **(a)** to **(d)**:

- (a) The combined relieving capacity of the pressure relief devices for interbarrier spaces surrounding type *A* independent cargo tanks where the insulation is fitted to the cargo tanks may be determined by the following formula:

$$Q_{sa} = 3.4A_c \frac{\rho}{\rho_v} \sqrt{h} \quad (m^3/s)$$

where:

Q_{sa} = minimum required discharge rate of air at standard conditions of 273 K and 1.013 bar

A_c = design crack opening area (m^2)

$$A_c = \frac{\pi}{4} \delta l \quad (m^2)$$

δ = max crack opening width (m)

$$\delta = 0.2t \quad (m)$$

t = thickness (m) of tank bottom plating

l = design crack length (m) equal to the diagonal of the largest plate panel of the tank bottom.

h = max liquid height (m) above tank bottom plus 10MARVS

ρ = density of product liquid phase (kg/m^3) at the set pressure of the interbarrier space relief device

ρ_v = density of product vapour phase (kg/m^3) at the set pressure of the interbarrier space relief device and a temperature of 273 K

MARVS = max allowable relief valve setting (bar) of the cargo tank.

- (b) The relieving capacity of pressure relief devices of interbarrier spaces surrounding independent type *B* cargo tanks may be determined on the basis of the method given in **(1)** above, however, the leakage rate is to be determined in accordance with **4.7.2, Part N of the Rules**.
- (c) The relieving capacity of pressure relief devices for interbarrier spaces of membrane and semimembrane tanks is to be evaluated on the basis of specific membrane/semi-membrane tank design.
- (d) The relieving capacity of pressure relief devices for interbarrier spaces adjacent to integral type cargo tanks may, if applicable, be determined as for type *A* independent cargo tanks.

N8.2 Pressure Relief Systems**N8.2.2 Pressure Relief Devices for Interbarrier Spaces**

1 The “pressure relief devices” referred to in the requirements in **8.2.2, Part N of the Rules** means PRVs, rupture discs or equivalent, or two or more of them in combination are to be provided in each space to be covered. The size of interbarrier space

pressure relief devices is to conform to the preceding **N8.1.1(3)**.

2 When only *PRVs* are provided as the pressure relief devices given in the preceding **-1**, the following requirements **(1)** and **(2)** are to be complied with:

- (1)** In case where the cargo tank is of the type *A* independent tank, semi-membrane tank provided with complete secondary barrier, membrane tank or integral tank, the following requirements **(a)** and **(b)** are to be complied with:
 - (a)** The capacity of the pressure relief system is to be sufficient to relieve the greater of the maximum supply capacity of the inerting system and dry air supply system or the estimated volume of cargo evaporation in an event of failure of the cargo tank.
 - (b)** *PRVs* are to be in accordance with the requirements in **N8.2.5**.
- (2)** In case where the cargo tank is of the type *B* independent tank or semi-membrane tank provided with partial secondary barrier, the following requirements **(a)** and **(b)** are to be complied with:
 - (a)** The capacity of pressure relief device is to be in accordance with the preceding **(1)(a)**.
 - (b)** *PRVs* may not be such as being approved in accordance with the requirements in **N8.2.5**. However, they are to be equivalent to those complying with the requirements for *PV* valves in **R11.6.1**.

3 When, as a pressure relief device referred to in the preceding **-1**, pressure valve and rupture disc are provided in combination, they are to conform to the following requirements **(1)** to **(3)** for the cargo tank types indicated in the preceding **-2(1)**:

- (1)** The capacity of the *PRV* is to be sufficient to relieve the maximum supply capacity of the inerting system.
- (2)** *PRVs* are to be in accordance with the requirements in the preceding **-2(2)(b)**.
- (3)** The capacity of rupture disc is to be sufficient to relieve the volume of cargo evaporation in an event of failure of the cargo tank, and the construction is to be as deemed appropriate by the Society.

N8.2.4 Arrangement of *PRVs*

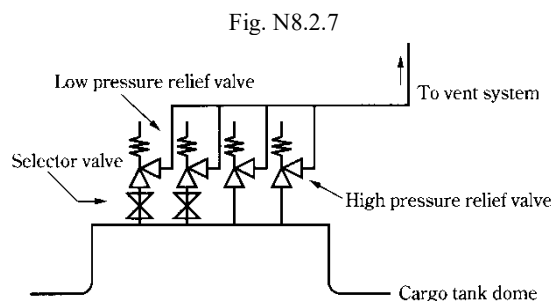
For the purpose of the requirements in **8.2.4, Part N of the Rules**, for the cargo tank with the design temperature lower than 0°C, it is to be verified through temperature distribution calculation, etc. that the valve would not freeze or it is provided with anti-freezing construction. In ships where the requirements in **Part I of the Rules** apply or ships regularly navigate through the sea of cold zone, the *PRVs* are to have satisfactory proved function under freezing condition or to be provided with heating system to prevent functional inability due to freezing.

N8.2.5 Valve Testing

For the purpose of the requirements in **8.2.5, Part N of the Rules**, *PRVs* to be provided in cargo tanks, cargo piping and interbarrier spaces, as necessary, are to be approved in accordance with the **Annex 1 “GUIDANCE FOR EQUIPMENT AND FITTINGS OF SHIPS CARRYING LIQUEFIED GASES IN BULK”**.

N8.2.7 Changing Set Pressure of *PRVs*

The means as “necessary, for isolating the valves not in use from the cargo tank” referred to in **8.2.7, Part N of the Rules** means, for example, the arrangement as shown in **Fig. N8.2.7**.



N8.2.9 Means of Emergency Isolation of *PRVs*

1 For the purpose of the requirements in **8.2.9, Part N of the Rules**, no stop valve is to be provided in the vent piping on the downstream of the *PRV*.

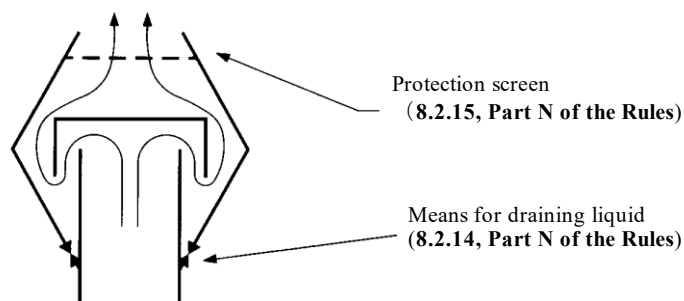
2 The “safe means of emergency isolation” specified in **8.2.9, Part N of the Rules** is to be provided so that a *PRV* can be isolated on a temporary basis to reseal or repair the valve before putting the *PRV* back into service. Such means of emergency isolation are

to be installed in a manner that does not allow their inadvertent operation.

N8.2.10 Venting Systems

- 1 An example of a construction complying with 8.2.10(1) and (2), Part N of the Rules is shown in Fig.N8.2.10.
- 2 For the purpose of the requirements in 8.2.10, Part N of the Rules, the height of the vent exits is to be measured from the exposed deck at the place where the vent mast is provided.

Fig. N8.2.10 Example of Construction of Vent Outlet



N8.2.11 Arrangement of Vent Outlets

For the purpose of the requirements in 8.2.11, Part N of the Rules, the distance to the vent outlet is to be measured horizontally.

N8.2.12 Arrangement of All Other Cargo Vent Outlets

For the purpose of the requirements in 8.2.12, Part N of the Rules, the arrangements of other cargo vent piping is to be in accordance with following requirements (1) and (2):

- (1) Outlets from the gas fuel piping specified in 16.4.5, Part N of the Rules are to be in accordance with the requirements in 8.2.10 and 8.2.11, Part N of the Rules.
 - (a) The vent outlets of *PRV* or rupture disc of interbarrier spaces of type *A* independent tank. However, when both *PRV* and rupture disc are provided in combination, only the vent discharge outlet for the *PRV* may be applied.
 - (b) Vent outlet from the gas fuel piping specified in 16.4.5, Part N of the Rules.
- (2) Vent outlets from *PRVs* or rupture discs of interbarrier spaces are to be installed in gas dangerous zones.

N8.2.13 Pressure Relief Systems for Simultaneously Carrying Cargoes which React in a Dangerous Manner

The “separate pressure relief system” referred to in the requirements in 8.2.13, Part N of the Rules means the independent vent system including an independently provided *PRV*. In this case, no specific requirement is provided on the distance between vent outlets.

N8.2.14 Means for Draining

For the purpose of the requirements in 8.2.14, Part N of the Rules, drain plugs or drain cocks are to be provided at places where drains are likely to accumulate.

N8.2.18 Adequacy of the Vent System

Adequacy of the vent system specified in 8.2.18 of the Rules is to be certified in accordance with the Annex 5 “GUIDANCE FOR THE EVALUATION OF THE ADEQUACY OF TYPE *C* TANK SYSTEMS”.

N8.3 Vacuum Protection Systems

N8.3.1 Fitting of Vacuum Protection Systems

- 1 For the purpose of the requirements in 8.3.1(1), Part N of the Rules, the means to stop all suction of the cargo liquid or cargo vapour may be by shutting off valves or stopping the equipment provided that they are automatically operated.
- 2 For the purpose of the requirements in 8.3.1(2), Part N of the Rules, the vacuum relief valve is to conform to the requirements in 8.2.5 and 8.2.6, Part N of the Rules and to be approved in accordance with the Annex 1 “GUIDANCE FOR EQUIPMENT AND FITTINGS OF SHIPS CARRYING LIQUEFIED GASES IN BULK”. However, means as specified in the requirements in 8.3.1(1), Part N of the Rules are to be provided, and where vacuum relief valve adjusted to function at a pressure lower than such means is provided as an additional device, the requirements may be dispensed with for this vacuum relief valve as an additional means.

N8.3.2 Requirement of Vacuum Relief Valves

For the purpose of the requirements in **8.3.2, Part N of the Rules**, vacuum relief valves are to be in accordance with the following requirements (1) and (2):

- (1) Only for cases where vacuum relief valves adjusted to a set pressure lower than the operating pressure of the device specified in the requirements in **8.3.1(1), Part N of the Rules**, are provided for additional means of the devices, it may be accepted to admit the air to be introduced into the tank even in case of flammable cargoes except for the cases specified in the relevant requirements in **Chapter 17, Part N of the Rules**.
- (2) The air suction opening for the vacuum relief valve as an additional device indicated in the preceding (1) may be made in such a way that the requirements in **8.2.10** and **8.2.11, Part N of the Rules** do not apply. However, the requirements in **13.6.4, Part D of the Rules** are to be complied with, and the construction of the suction opening is, for example, to be as shown in **Fig. N8.2.10**.

N8.4 Sizing of Pressure Relieving Systems**N8.4.1 Sizing of PRVs**

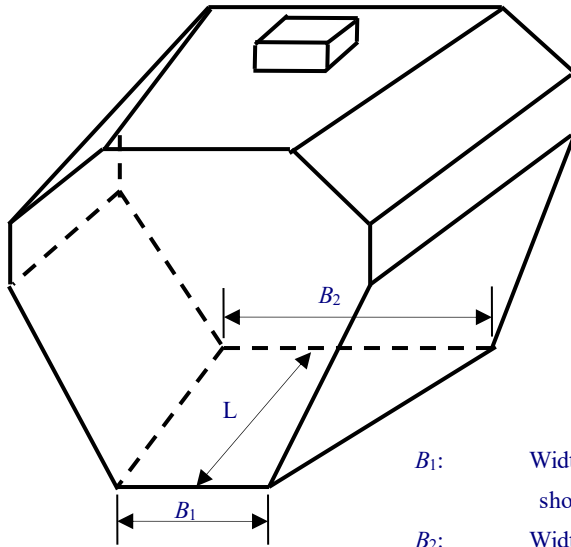
1 For the purpose of the requirements in **8.4.1(2), Part N of the Rules**, the fire exposure factor (F) is to be in accordance with the following requirements (1) to (4):

- (1) The insulation materials used at exposed spaces when $F = 0.5$ are to conform to the requirements in **4.19.3-4, Part N of the Rules**.
- (2) In the case of integral tanks, $F = 0.1$.
- (3) The fire exposure factor of the tank which partially protrudes beyond the tank cover having the fire integrity equivalent to the deck and deck structure is to be of such a value as obtained by proportional distribution of cargo tank surface areas above and below the deck or tank cover.
- (4) In case where hold spaces filled with dry air is accepted for semi-membrane tanks provided with partial secondary barriers in accordance with the requirements in **9.2.2, Part N of the Rules**, $F = 0.2$.

2 For the purpose of the requirements in **8.4.1(2)** and **Fig. N8.1, Part N of the Rules**, the external surface area A (m^2) of prismatic tanks is to be calculated in accordance with the following (1) or (2). In this context, the L_{min} specified in the following (1) and (2), for non-tapered tanks, is the smaller of the horizontal dimensions (length or width) of the flat bottom of the tank. For tapered tanks (See **Fig. N8.4.1-1**), the L_{min} is the smaller of the length and the average width.

- (1) In cases where distance between the flat bottom of the tank and bottom of the hold space is equal to or less than $L_{min}/10$:
External surface area minus flat bottom surface area
- (2) In cases where distance between the flat bottom of the tank and bottom of the hold space is greater than $L_{min}/10$:
External surface area

Fig. N8.4.1-1 Example of Tapered Tank



- B_1 : Width of the tank's flat bottom on the shorter side of the taper
- B_2 : Width of the tank's flat bottom on the longer side of the taper
- L : Length of the flat bottom of the tank

Average width of the tank's flat bottom of trapezium: $(B_1+B_2) / 2$

N9 CARGO CONTAINMENT SYSTEM ATMOSPHERE CONTROL

N9.1 Atmosphere Control within the Cargo Containment Systems

N9.1.1 Atmosphere Control Systems of Cargo Tanks

For the purpose of the requirements in **9.1.1, Part N of the Rules**, the design and arrangement of atmosphere control systems of cargo tanks are to be in accordance with the following requirements (1) and (2):

- (1) For installation of piping and fixing of pipe fittings in cargo tanks, sufficient consideration is to be taken for possible transient temperature differential.
- (2) The effectiveness of replacement of cargo tank atmosphere is to be verified at time of gas trial given in **N4.20.3-4 to -7**.

N9.1.2 Inerting of Cargo Tanks

For the purpose of the requirements in **9.1.2, Part N of the Rules**, for cargo tanks carrying petroleum products, etc. the requirements in this Chapter apply, and in addition, the requirements specified in **R1.2.1** are to be complied with.

N9.1.4 Monitoring of Atmosphere Change

Gas sampling points referred to in **9.1.4, Part N of the Rules** are to be in accordance with the following requirements:

- (1) The arrangement of gas sampling points in cargo tanks is to be determined according to cargo properties, cargo tank construction and capacity as well as the abilities of gas freeing and purging systems; moreover, in cases where appropriate, the adequacy of the arrangement of gas sampling points is to be verified by performance tests. The locations of gas sampling points are, as standard, to be at the upper, middle and lower spaces of the cargo tank.
- (2) For ships which **Column f of Table N19.1 of the Rules** is applied according to the type of products to be carried and which are required to install toxic vapour detectors, the gas sampling system is to be of a closed-loop design to prevent cargo vapour from venting to the atmosphere.
- (3) The closed-loop designed gas sampling systems specified in (2) above is to be provided with two valves respectively on both the sample inlet side and return side.

N9.2 Atmosphere Control within the Hold Spaces (Cargo Containment Systems other than Type C Independent Tanks)

N9.2.1 Atmosphere Control, Requiring Full or Partial Secondary Barriers

1 For the purpose of the requirements in **9.2.1, Part N of the Rules**, even in cases where full secondary barrier is not required according to the requirements in **4.5, Part N of the Rules**, if flammable gases are carried in type *A* independent tank, integral tank, membrane tank and semi-membrane tank, the requirements in **9.2.1, Part N of the Rules** apply correspondingly.

2 For the purpose of the requirements in **9.2.1, Part N of the Rules** even in cases where partial secondary barrier is not required according to the requirements in **4.5, Part N of the Rules**, if flammable gases are carried in type *B* independent tank, the requirements in **9.2.1** or **9.2.2, Part N of the Rules** apply correspondingly.

3 The “suitable dry inert gas” referred to in the requirements in **9.2.1, Part N of the Rules** means the inert gas of which dew point is controlled in accordance with **N9.4.1(4)**. Further, the “normal consumption for at least 30 days” referred to in the requirements in **9.2.1, Part N of the Rules** is to be given consideration for the effects of atmospheric pressure and temperature variations during the passage and additional consumption by gas detection, etc.

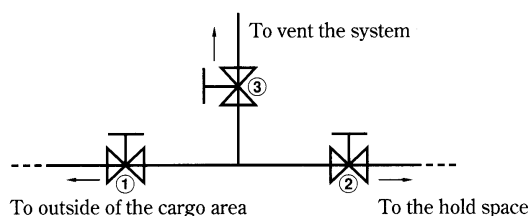
N9.2.2 Alternative Arrangements of Atmosphere Control, Requiring Partial Secondary Barriers

In cases where dry air is introduced into the interbarrier spaces and hold spaces in accordance with **9.2.2, Part N of the Rules**, at least the following requirements (1) to (3) are to be complied with:

- (1) Dew point of dry air is to be controlled according to **N9.4.1(4)**.
- (2) On the supply piping of dry air, one stop valve is to be provided at the inlet into the space which is filled with dry air, and two non-return valves are to be provided within the cargo area side near the forward or aft end of the cargo area. However, one of the two non-return valves may be substituted by 3-in one set of valves as shown in **Fig. N9.2.2**.
- (3) Instrumentation is to be provided in accordance with the following requirements (a) to (c):

- (a) At the outlet of the dry air supply system, pressure gauge and thermometer are to be provided.
- (b) One or more dew point meters as deemed appropriate by the Society are to be provided. However, in case where only one dew point meter is provided, a spare cell unit is to be provided.
- (c) At the outlet of the dry air supply system, interbarrier spaces and hold spaces, connections for dew point meter are to be provided.

Fig. N9.2.2



- 1) When dry air is being supplied, stop valves ① and ② are to be opened. Stop valves ③ is to be closed.
- 2) When dry air supply is stopped, stop valve ③ is to be opened, and stop valves ① and ② are to be closed.

N9.2.3 Atmosphere Control for Non-flammable Gases

1 The “suitable dry air or inert atmosphere” referred to in the requirements in **9.2.3, Part N of the Rules** means a state in which spaces are filled with the air with controlled dew point or inert gas according to the requirements in **N9.4.1(4)**. This inert gas system may not conform to the requirements in **9.4** and **9.5, Part N of the Rules**, but is to be provided with a storage system or generating system capable of making up a consumption for at least 30 days.

2 In case where dry air is introduced according to the -1 above, the requirements in **N9.2.2** are to be complied with.

N9.3 Environmental Control of Spaces Surrounding Type C Independent Tanks

N9.3.1 Environmental Control of Spaces Surrounding Type C Independent Tanks

For the purpose of the requirements in **9.3, Part N of the Rules**, the environmental control of the compartment is to be in accordance with **N9.2.3**.

N9.4 Inerting

N9.4.1 Properties of Inert Gas and Its Supply

For the purpose of the requirements in **9.4.1, Part N of the Rules**, the following requirements (1) through (4) are to be complied with:

- (1) For the inert gas supply piping, evaporator and heater, if necessary, are to be provided so that the compartment supplied with inert gas can be maintained at proper temperature and pressure and further, thermometer and pressure gauges are to be provided for monitoring.
- (2) Where the inert gas is stored in inert gas bottles, the following requirements (a) through (d) are to be complied with:
 - (a) The inert gas bottles and piping are to be dealt with according to the following requirements i) to iii):
 - i) The material of the piping may be to the requirements of the standard as deemed appropriate by the Society.
 - ii) The gas bottle may be to the requirements of the National Standards notwithstanding the requirements in **Chapter 10, Part D of the Rules**.
 - iii) The hydraulic tests for pipes, valves and pipe fittings may be omitted.
 - (b) The location of installation of the bottles is to be as given in the following i) and ii):

- i) The inert gas bottles are, as a rule, to be located in the storage room within the cargo area.
- ii) The storage room of inert gas bottles is to be well ventilated so as not to allow leaked gas accumulate the room and be capable of being accessed from the exposed deck.
- (c) The inert gas storage containers are to be so arranged to be safe against ship motions and vibrations, and are to be stored upright as far as practicable.
- (d) The piping system, after assembly on board, is to be subjected to airtightness test at a pressure 1.25 *times* the maximum working pressure or more, and free flow test at a suitable pressure.
- (3) Where the permanent storage tank installed on deck is used as the inert gas storage container, the requirements for the design, tests and inspection of the tank and the piping are to be in accordance with the relevant requirements specified for process pressure vessels and piping systems in **Chapter 4** and **Chapter 5, Part N of the Rules**. However, consideration may be given as appropriate depending on their service conditions.
- (4) The dew point of dry inert gas is, in general, not exceed the minimum design temperature of the exposed surface of the insulation material of the cargo tank into the hold space and hull structural members of the space being inerted in normal condition.

N9.4.3 Storage of Inert Gas at Low Temperature

For the purpose of the requirements in **9.4.3, Part N of the Rules**, the thermal isolation between the hull structure and the storage tank, and where necessary, the inert gas supply piping is to be in accordance with **N5.7.2-1**.

N9.5 Inert Gas Production On Board

N9.5.1 Inert Gas Production Equipment

1 For the purpose of the requirements in **9.5.1, Part N of the Rules**, inert gas systems are to comply with the following **(1)** through **(4)**.

- (1) Materials used in inert gas systems are to be suitable for their intended purpose.
- (2) Each system component of the inert gas systems using oil fired inert gas generators, inert gas storage systems and liquid nitrogen storage tanks is to be approved in accordance with the **Annex 1 “GUIDANCE FOR SURVEY AND CONSTRUCTION OF EQUIPMENT AND FITTINGS OF SHIPS CARRYING LIQUEFIED GASES IN BULK”**. Where the oil fired inert gas generator is fitted for the purposes of **9.2** and **9.3 of the Rules**, the requirements of **8.2.2-4, 8.2.2-8, 8.2.2-9, 8.2.2-10, 8.2.2-12** and **8.2.3-2** of the **Annex 1** may not apply.
- (3) Inert gas systems using nitrogen generators are to comply with the following requirements in **(a)** and **(b)**.
 - (a) **35.2.2-2(2), 35.2.2-2(4), 35.2.2-4(2), 35.2.2-4(3), 35.2.2-4(5)(a)** (except **(a)iii** through **v**), **35.2.2-4(5)(d), 35.2.4(1)(c), 35.2.4(1)(d), 35.2.4(1)(f), 35.2.4(1)(g), 35.2.4(1)(h), 35.2.4(1)(i), 35.2.4(1)(j), 35.2.4(2), Part R of the Rules** and the requirements of **8.2.2-11** in the **Annex 1 “Guidance for Survey and Construction of Equipment and Fittings for Ships Carrying Liquefied Gases in Bulk”** are to apply.
 - (b) The two non-return devices as required by **35.2.2-3(1)(a)** are to be fitted in the inert gas main. The non-return devices are to comply with **35.2.2-3(1)(b)** and **35.2.2-3(1)(c), Part R of the Rules**, however, where the connections to the cargo tanks, to the hold spaces or to cargo piping are not permanent, the non-return devices required by **35.2.2-3(1)(a)** may be substituted by two non-return valves.
- (4) Inert gas systems using boiler flue gases are to comply with the requirements of **Chapter 35, Part R of the Rules** under the following conditions.
 - (a) The requirements of **8.2.2-11** in the **Annex 1 “GUIDANCE FOR SURVEY AND CONSTRUCTION OF EQUIPMENT AND FITTINGS FOR SHIPS CARRYING LIQUEFIED GASES IN BULK”** may apply in place of the requirements of **35.2.3(1)(b)i** and **ii), Part R of the Rules**.
 - (b) The requirements of **9.4.4, Part N of the Rules** may apply in place of the requirements of **35.2.2-3(1)(a) through (i), Part R of the Rules**.
 - (c) The requirements of **35.2.2-4(5)(c)** and **35.2.3(2)(b)vii), Part R of the Rules** may not apply.
 - (d) Where the systems are fitted for the purposes of **9.2** and **9.3, Part N of the Rules**, the requirements of **4.5.3-4(2), 4.5.6-3, 11.6.3-4, 35.2.2-1(2)(d), 35.2.2-2(4), 35.2.2-3(2)** (except **(d)**), **35.2.3(1)(c)i** and **35.2.3(1)(d)i), Part R of the Rules** may not apply, in addition to **(1)** to **(3)** above.

- (e) Where the connections to the cargo tanks, to the hold spaces or to cargo piping are not permanent, the non-return devices required by **35.2.2-3(1)(a), Part R of the Rules** may be substituted by two non-return valves.

N10 ELECTRICAL INSTALLATIONS

N10.2 General

N10.2.4 Certified Safe Type Equipment

1 The wording “the satisfaction of the Society” in **10.2.4, Part N of the Rules** mean that the explosion-protected electrical equipment complying with the requirements in **2.16, Part H of the Rules** and grouped into appropriate Apparatus Group and Temperature Class according to **Table N10.2.4** or equivalent thereto for an environmental gas or vapours condition.

2 The wording “approved or certified one as the safe type” in **10.2.4, Part N of the Rules** means one of the following:

- (1) the explosion-protected electrical equipment approved by the Society in accordance with the requirements in **1.2.1-4, Part H of the Rules** or the equipment of a type which may not cause ignition of gases or vapours of the cargoes; or
- (2) The one evaluated and certified or listed by an accredited testing authority or notified body recognized by the Society.

N10.2.6 Electrical Generation and Distribution Systems

The wording “the standard deemed appropriate by the Society” given in **10.2.6, Part N of the Rules** means *IEC 60812:2006*.

Table N10.2.4 Gases and Vapours Groups and Temperature Class

Product name	UN number	Gases and Vapours groups	Temperature class
Acetaldehyde	1089	IIA	T4
Ammonia, anhydrous	1005	IIA	T1
Butadiene	1010	IIB	T2
Butane	1011	IIA	T2
Butane-propane mixtures	1011/1978	IIA	T2
Butylenes	1012	*	*
Chloride	1017	—	—
Diethyl ether	1155	IIB	T4
Dimethylamine	1032	IIA	T2
Ethane	1961	IIA	T1
Ethyl chloride	1037	IIA	T1
Ethylene	1038	IIB	T2
Ethylene oxide	1040	IIB	T2
Ethylene oxide-propylene oxide mixtures with ethylene oxide content not more than 30% by weight	2983	*	*
Isoprene	1218	IIB	T3
Isopropylamine	1221	IIA	T2
Methane (LNG)	1972	IIA	T1
Methyl acetylene-propadiene mixtures	1060	*	*
Methyl bromide	1062	*	*
Methyl chloride	1063	IIA	T1
Monoethylamine	1036	IIA	T2
Nitrogen	2040	—	—
Propane	1978	IIA	T1
Propylene	1077	IIA	T2
Propylene oxide	1280	IIB	T2
Refrigerant Gases	—	—	—
Sulphur dioxide	1079	—	—
Vinyl chloride	1086	IIA	T3
Vinyl ethyl ether	1302	IIB	T3
Vinylidene chloride	1303	IIA	T2

Notes:

1. Temperature classes and Gases and Vapours groups as defined in International Electrotechnical Commission 79
2. “-” indicates that the product is nonflammable, and * is to be to satisfaction of the Society.

N11 FIRE PROTECTION AND EXTINCTION

N11.1 Fire Safety Requirements

N11.1.1 General

The “alternative arrangements” for inert gas system specified in **11.1.1-2, Part N of the Rules** means the arrangements which comply with the requirements specified in **4.5.5-4(1), Part R of the Rules**.

N11.1.2 Exclusion of Ignition Source

For the purpose of the requirements in **11.1.2, Part N of the Rules**, in the hazardous areas specified in the requirements in **1.1.5(23), Part N of the Rules**, for ships carrying flammable substances, neither electrical equipment such as anchor windless nor openings of chain lockers which are regarded as sources of ignition are to be provided except for those approved under the relevant requirements in **Chapter 10, Part N of the Rules**.

N11.2 Fire Mains and Hydrants

N11.2.1 Fire Pump and Fire Main

For the purpose of the requirements in **11.2.1, Part N of the Rules**, the minimum pressure at fire hydrant of the fire main is to be not less than 0.5 MPa (gauge) irrespective whether the fire pump and water main as used as part of water spray system or not.

N11.2.4 Nozzles

For the purpose of the requirements in **11.2.4, Part N of the Rules**, all nozzles are to be in accordance with **10.2.3-3, Part R of the Rules**.

N11.2.5 Test after Installation

For the purpose of the requirements in **11.2.5, Part N of the Rules**, tightness tests are to be carried out with a pressure not less than the maximum working pressure.

N11.3 Water Spray System

N11.3.1 Area to be Covered

1 For the purpose of the requirements in **11.3.1(1), Part N of the Rules**, the area to be covered at the exposed tank dome is to include the areas where stop valves for cargo tanks and emergency shutdown valves specified in the requirements in **5.5, Part N of the Rules** are fitted.

2 For the purpose of the requirements **11.3.1(4), Part N of the Rules**, the area of the load/unload connections is to include the areas where emergency shutdown valves specified in the requirements in **5.5.3, Part N of the Rules** are fitted. Further, the “control valve” referred to in the requirements in **11.3.1(4), Part N of the Rules** is to include stop valves for the transfer of cargo line to and from vapour line.

3 Ships provided with additional cargo transfer equipment (including transfer loading arms, bunkering booms, transfer hoses, reducers, spool pieces and transfer hose reels) are also to be provided with water spray systems covering cargo liquid and vapour discharge and loading connection areas (including presentation flanges), areas where their control valves are situated, and all exposed emergency shut-down (ESD) valves in cargo liquid and vapour pipes (including the master valves) used for supplying gas consumers in accordance with **11.3.1(4) and (5), Part N of the Rules**. The expression “discharge and loading connection” here refers to the parts where such additional equipment connects to the cargo transfer equipment of other ships, except where not deemed appropriate by the Society.

4 The “high fire risk items” referred to in the requirements in **11.3.1(6), Part N of the Rules** are not to include the hydraulic machinery and electric motors (See **R9.2.3-9**).

5 With respect to the requirements of **11.3.1(7), Part N of the Rules**, the survival crafts on board including remote survival crafts (ref. SOLAS III/Reg. 31.1.4) facing the cargo area are to be protected by a water-spray system taking into consideration cargo area

extension for fire-fighting purposes as stated in **11.1.4, Part N of the Rules**. Remote liferafts located in areas covered by water-spray protection as required in **11.3.1(6), Part N of the Rules** may be considered as adequately protected.

N11.3.2 Arrangement and Capacity

For the purpose of the requirements in **11.3.2, Part N of the Rules**, the following requirements (1) and (2) are to be complied with:

- (1) The nozzles for protecting vertical surfaces are to be arranged per every two tiers for the end walls of the accommodation spaces, as standard.
- (2) The water spray system is to be approved in accordance with the **Annex 1 “GUIDANCE FOR EQUIPMENT AND FITTINGS OF SHIPS CARRYING LIQUEFIED GASES IN BULK”**.

N11.3.4 Protection by the Fire Pumps

1 The following terms and expressions in **11.3.4, Part N of the Rules** are clarified to mean as follows.

- (1) The expression “one of the fire pumps or emergency fire pump” refers to those fire pumps required in accordance with **10.2.2, Part R of the Rules** that are installed outside the space where the spray pumps are located.
- (2) The expression “fire in one compartment” refers to a compartment provided with *A*-class boundaries in which is located the fire pump(s), or the source of power of the fire pump(s), serving the water-spray system in accordance with **11.3.3, Part N of the Rules**.
- (3) The term “fire pumps”, in cases where not qualified by the word “emergency”, refers to those fire pumps required in accordance with **10.2.2-2, Part R of the Rules**.

2 With respect to the requirements of **11.3.4, Part N of the Rules**, the capacity of emergency fire pumps that are also used to supply water spray systems is to be decided in accordance with following (1) to (4).

- (1) In cases where the emergency fire pump is used to meet this requirement, its capacity, in addition to being capable of maintaining two jets of water as required by **32.2.2-1, Part R of the Rules**, is to be increased taking into account the spray application rates stated in **11.3.2-1, Part N of the Rules**, but limiting coverage to boundaries of normally manned superstructures and deckhouses, survival crafts and their muster areas as specified in **11.3.4, Part N of the Rules**.
- (2) In addition to (1) above, if all the fire pumps mentioned in **-1(3)** above supplying the water spray system (for covering the superstructures and deckhouses) are disabled due to a fire in any one compartment, then the emergency fire pump is to be sized to cover:
 - (a) the water spray system for the boundaries of the superstructures and deckhouses, and lifeboats, liferafts and muster areas facing the cargo area, (as per **11.3.4, Part N of the Rules**); and
 - (b) two fire hydrants (as per **11.2, Part N of the Rules**).
- (3) When the ship is also fitted with a total flooding high expansion foam system protecting the engine-room (to comply with **10.5.1-1(2), Part R of the Rules**) and the emergency fire pump is intended to supply sea water to this system, then the emergency fire pump is to also be sized to cover the foam system for dealing with an engine-room fire, when the main fire pumps are disabled.
- (4) On the basis of the principle of dealing with one single fire incident at a time, the emergency fire pump does not need to be sized to cover all three systems referred to in (1), (2) and (3) above (i.e. water spray, hydrants and foam) at the same time and is to only need to be sized to cover the most demanding area and required systems, as follows:
 - (a) the foam system + two hydrants; or
 - (b) the water spray system + two hydrants;
 whichever is greater.

N11.3.5 Use for Other Services

For the purpose of the requirements in **11.3.5, Part N of the Rules**, the ballast pump and bilge pump may be used commonly for the water spray system.

N11.3.6 Pipes, Valves, Nozzles and Other Fittings

1 The wording “means are to be provided to back-flush the system with fresh water” referred to in **11.3.6, Part N of the Rules** is to be understood to mean that arrangements are to be provided so that the water-spray system as a whole (i.e. piping, nozzles and in-line filters) can be flushed or back-flushed, as appropriate, with fresh water to prevent the blockage of pipes, nozzles and filters.

2 Where “F.O. tanks” are installed at the after end of the aftermost hold space or at the forward end of the forwardmost hold space

instead of cofferdams as allowed for in **3.1.2** and **3.1.3, Part N of the Rules**, the weather deck area above these tanks is to be regarded as part of the “cargo area” for the purpose of applying **11.3.6, Part N of the Rules**, i.e. piping, fittings and related components of water-spray systems are to be designed to withstand 925°C.

N11.3.8 Test after Installation

For the purpose of the requirements in **11.3.8, Part N of the Rules**, tightness tests are to be carried out with a pressure not less than the maximum working pressure.

N11.4 Dry Chemical Powder Fire-extinguishing Systems

N11.4.1 General

1 “Fixed dry chemical powder fire-extinguishing system approved by the Society” referred to in **11.4.1, Part N of the Rules** are to comply with “*Guidelines for the approval of fixed dry chemical powder fire-extinguishing systems for the protection of ships carrying liquefied gases in bulk*” (MSC.1/Circ.1315/Rev.1).

2 Ships provided with additional cargo transfer equipment (including transfer loading arms, bunkering booms, transfer hoses, reducers, spool pieces and transfer hose reels) are also to be provided with dry chemical powder fire-extinguishing systems for the purpose of firefighting on decks in cargo areas (including any cargo liquid and vapour discharge and loading connection areas) in accordance with **11.4.1, Part N of the Rules**. The expression “discharge and loading connection” here refers to the parts where such additional equipment connects to the cargo transfer equipment of other ships, except where not deemed appropriate by the Society.

N11.4.2 Performance of the Systems

Additional cargo transfer equipment (including transfer loading arms, bunkering booms, transfer hoses, reducers, spool pieces and transfer hose reels) is also to be regarded as exposed cargo liquid and vapour piping as stipulated in **11.4.2, Part N of the Rules**, and dry chemical powder fire-extinguishing systems are to be capable of delivering powder to any part of the piping as well as the loading and unloading connection areas. The expression “loading and unloading connection” here refers to the parts where such additional equipment connects to the cargo transfer equipment of other ships, except where not deemed appropriate by the Society.

N11.4.3 Monitors and Hand Hose Lines, etc.

1 For the purpose of the requirements in **11.4.3, Part N of the Rules**, the load/unload connection areas may be protected by only one monitor provided that it can be so fixed to protect the load/unload connection area used for cargo operation even if there are load/unload connections on both sides of the ship.

2 Ships provided with additional cargo transfer equipment (including transfer loading arms, bunkering booms, transfer hoses, reducers, spool pieces and transfer hose reels) are also to be provided monitors capable of actuation and discharge both locally and remotely to protect any loading and unloading connection areas in accordance with **11.4.3, Part N of the Rules**. The expression “loading and unloading connection” here refers to the parts where such additional equipment connects to the cargo transfer equipment of other ships, except where not deemed appropriate by the Society.

N11.4.5 Maximum Effective Distance of Hand Hose Lines

For the purpose of the requirements in **11.4.5, Part N of the Rules**, when the areas to be covered are located higher than the installed positions of monitors and manual hose reels, the Society may request increase in the capacity of these monitors and manual hose reels depending on their arrangement.

N11.4.8 Test after Installation

1 For the purpose of the requirements in **11.4.8, Part N of the Rules**, tightness tests are to be carried out with a pressure not less than the maximum working pressure.

2 For the purpose of the requirements in **11.4.8, Part N of the Rules**, “sufficient amounts of dry chemical powder” means that testing arrangements are to involve the discharge using dry chemical powder from all monitors and hand hose lines on board, but it is not required that there is a full discharge of the installed quantity of dry powder. This testing can also be used to satisfy the requirement that the piping is free of obstructions, in lieu of blowing through with dry air all the distribution piping. However, after the completion of this testing, the system, including all monitors and hand hose lines, are to be blown through with dry air, but only for the purpose of the system subsequently being clear from any residues of dry chemical powder.

N11.5 Enclosed Spaces Containing Cargo Handling Equipment

N11.5.2 Fire-extinguishing System for the Ships Dedicated to the Carriage of a Restricted Number of Cargoes

The nitrogen gas fire extinguishing system is to conform to the requirements in [25.2.1, Part R of the Rules](#), and in addition it is to be approved in accordance with the Guidance for Equipment and Fittings of Ships Carrying Liquefied Gases in Bulk.

N12 MECHANICAL VENTILATION IN THE CARGO AREA

N12.1 Spaces Required to be Entered during Normal Cargo Handling Operations

N12.1.4 Maintenance of Overpressure

“Recognized standards” referred to in **12.1.4, Part N of the Rules**, means *IEC 60092-502:1999*.

N12.1.5 Arrangement of Ventilation Ducts, Air Intakes and Outlets

1 “Recognized standards” referred to in **12.1.5, Part N of the Rules**, means *IEC 60092-502:1999*.

2 For the purpose of the requirements in **12.1.5, Part N of the Rules**, air intakes serving artificial ventilation systems are, to be in accordance with the following requirements (1) and (2).

- (1) Air intakes for hazardous area are to be taken from areas which, in the absence of the considered inlet, would be non-hazardous.
- (2) Air intakes for non-hazardous area are to be taken from non-hazardous areas at least 1.5 *m* from the boundaries of any hazardous area.

3 For the purpose of the requirements in **12.1.5, Part N of the Rules**, exhaust outlets serving artificial ventilation systems are to be in accordance with the following requirements (1) and (2).

- (1) Exhaust outlets from hazardous area are to be located in an open area which, in the absence of the considered outlet, would be of the same or lesser hazard than the ventilated space.
- (2) Exhaust outlets from non-hazardous area are to be located in a non-hazardous open area.

N12.1.7 Construction of Ventilation Fans

For the purpose of the requirements in **12.1.7, Part N of the Rules**, the following requirements (1) and (2) are to be complied with:

- (1) Ventilation fans are to be of non-sparking type complied with the requirements of **R4.5.4-1(2)** as well as **12.1.7, Part N of the Rules**, and approved in accordance with the **Annex 1 “GUIDANCE FOR EQUIPMENT AND FITTINGS OF SHIPS CARRYING LIQUEFIED GASES IN BULK”**. For the purpose of the requirements, the openings of the ducts to which the ventilation fans are fitted are to be provided with protection screens of not more than 13 *mm* square mesh.
- (2) The ventilation fans for motor rooms where electric motors to drive cargo compressors and cargo pumps are installed are to conform to the requirements in **12.1.7, Part N of the Rules**, and in addition, to the following requirements (a) and (b):
 - (a) To have a ventilation capacity of not less than 30 air changes of the total volume of the motor room per hour.
 - (b) Electric motors driving ventilation fans are to conform to the relevant requirements in **Chapter 10, Part N of the Rules** depending on the location of motors, and in addition, to the requirements for exterior-mounted type specified in **R19.3.4-2** when motors are installed in exposed spaces.

N12.1.9 Protection Screens of Ventilation Duct Openings

“Protection screens” referred to in the requirements in **12.1.9, Part N of the Rules** means those with suitable strength against falling objects.

N12.1.10 Design and Arrangement of the Ventilation

“Recognized standards” referred to in **12.1.10, Part N of the Rules**, means *IEC 60092-502:1999*.

N12.2 Spaces Not Normally Entered

N12.2.1 Ventilation of Enclosed Spaces

For the purpose of the requirements in **12.2.1, Part N of the Rules**, the ventilation of spaces not normally entered is to conform to the following requirements (1) and (2):

- (1) Natural ventilation alone is not accepted.
- (2) Portable ventilation fans are to be in accordance with **N5.11.7**.

N13 INSTRUMENTATION AND AUTOMATION SYSTEMS**N13.1 General****N13.1.2 Centralization of Control Equipment and Indicators**

For the purpose of the requirements in **13.1.2, Part N of the Rules**, in case where control equipments and indicators are unable to be centralized in the cargo control room or other suitable places, they are to be provided in the wheelhouse.

N13.1.3 Calibration and Test of Measuring Instruments

For the purpose of the requirements in **13.1.3, Part N of the Rules**, tests and inspections of measuring instruments are to be in accordance with the following requirements (1) to (3):

- (1) Tests and inspections of measuring instruments during manufacture of each are to conform to the following requirements (a) to (c):
 - (a) Gas detection equipment are to be evaluated and certified or listed by an accredited testing authority or notified body recognized by the Society.
 - (b) Level gauges are to be in accordance with the requirements in the **Chapter 4, Part 7 of Guidance for the Approval and Type Approval of Materials and Equipment for Marine Use**.
 - (c) Pressure gauges and temperature indicating devices are to be in accordance with the requirements of the **Annex 1 “GUIDANCE FOR EQUIPMENT AND FITTINGS OF SHIPS CARRYING LIQUEFIED GASES IN BULK”**.
- (2) After installation on board the ship, the instrument is to be subjected to operation test to verify that it has the specified performance. This test is not necessarily conducted with the actual cargo, but for gas detection equipment, suitable test gases are to be used in the test.
- (3) For retests and testing procedures of instrumentation after installation on board the ship, at least the following items are to be noted in the Operation Manual specified in the requirements in **18.2.1, Part N of the Rules**:
 - (a) Check method and testing procedure before use
 - (b) Check method and testing procedure during use
 - (c) Periodical check method and intervals specified by the manufacturer
 - (d) Service life of equipment (excluding those permanent system components)
 - (e) Periodical inspection procedure specified in the requirements in Item 4 of **Table B3.9, Part B of the Rules**
 - (f) Other precautions

N13.2 Level Indicators for Cargo Tanks**N13.2.1 General**

For the purpose of the requirements **13.2.1, Part N of the Rules**, the following requirements (1) and (2) are to be complied with:

- (1) The performance and construction of level gauges are to be approved by the **Guidance for the Approval and Type Approval of Materials and Equipment for Marine Use**.
- (2) With respect to the effectiveness of level gauges, for example, in case where gauging of levels is limited at high level and low level, such level is considered effective on condition that cargo is loaded within such range.

N13.2.2 Arrangement of Liquid Level Gauge

The wording “can be maintained” specified in **13.2.2, Part N of the Rules** means that any part of the level gauge other than passive parts can be overhauled while the cargo tank is in service. In this regard, passive parts are those parts assumed not subject to failures under normal service conditions.

N13.2.3 Type of Level Indicators

For the purpose of the requirements in **13.2.3, Part N of the Rules**, in case where the prospective cargoes are plural and the type of level gauges required in column g in **Table N19.1, Chapter 19, Part N of the Rules** is also plural where two or more level

gauges are provided for each requirement (in the case shown in **N13.2.2**, may be one), they may be multiplicate. However, for the type of level gauge for less severe requirements, warning sign stating that the level gauge is not to be used for other cargoes than the specified cargoes is to be posted.

N13.3 Overflow Control

N13.3.1 General

For the purpose of the requirements in **13.3.1, Part N of the Rules**, high level alarm systems are to be in accordance with **R11.6.3-1**.

N13.3.2 Protection

For the purpose of the requirements in **13.3.2, Part N of the Rules**, the sensor for automatic closing of the loading valve for overflow control may be combined with those of level gauges required in **13.2.1, Part N of the Rules**.

N13.3.4 Omission of Automatic Shutoff

The “maximum possible pressure during the loading operation” referred to in the requirements in **13.3.4(2), Part N of the Rules** is to be considered as the maximum pressure generated by the discharge pressure of shore-based transfer pump and cargo vapour pressure.

N13.3.5 Installation and Function Test

The wording “each dry-docking” specified in **13.3.5, Part N of the Rules** means docking surveys carried out at the times specified in **1.1.3-1(4)(a), Part B of the Rules**.

N13.4 Pressure Monitoring

N13.4.2 Pressure Alarms of Cargo Tanks

For the purpose of the requirements in **13.4.2, Part N of the Rules**, high pressure or low pressure alarms are to be in accordance with following requirements (1) to (3):

- (1) The low pressure alarm provided on the navigation bridge under the requirements in **13.4.2, Part N of the Rules**, when the provision of vacuum relief valve is required by the provision in **8.4.2, Part N of the Rules**, is to be capable of issuing alarm at a suitable differential pressure between inside and outside of cargo tank, which is lower than the maximum design external pressure of the cargo tank.
- (2) The alarm system specified in the requirements in **13.4.2, Part N of the Rules** is to issue visible and audible alarms.
- (3) Pressure gauges are to be approved in accordance with the **Annex 1 “GUIDANCE FOR EQUIPMENT AND FITTINGS OF SHIPS CARRYING LIQUEFIED GASES IN BULK”**.

N13.5 Temperature Indicating Devices

N13.5.1 General

Temperature indicating devices are to have been approved in accordance with the **Annex 1 “GUIDANCE FOR EQUIPMENT AND FITTINGS OF SHIPS CARRYING LIQUEFIED GASES IN BULK”**.

N13.6 Gas Detection Requirements

N13.6.3 Gas Detection Equipment

The wording “recognized standards acceptable to the Society” in **13.6.3, Part N of the Rules** means *IEC 60079-29-1*.

N13.6.4 Oxygen Deficiency Monitoring Equipment

Two oxygen sensors are to be positioned at appropriate locations in the space or spaces containing the inert gas system, in accordance with **Annex 1 “Guidance for Equipment and Fittings of Ships Carrying Liquefied Gases in Bulk”** and paragraph 15.2.2.4.5.4 of the *FSS Code*, for all gas carriers, irrespective of the carriage of cargo indicated by an “A” in column “F” of **Table N19.1, Part N of the Rules**.

N13.6.5 Gas Detection Equipment for Toxic Products

For the purpose of the requirements in **13.6.5, Part N of the Rules**, the use of portable gas detecting equipment is to be in accordance with the following requirements (1) to (3):

- (1) At least two sets of portable gas detecting equipments are to be provided on board.
- (2) In the case of the cargo expressed in “F + T” in column “F” of **Table N19.1, Chapter 19, Part N of the Rules**, the fixed type flammable gas detecting device specified in the requirements in **13.6.14, Part N of the Rules** is to be provided additionally.
- (3) In case where the equipments are composed of consumables such as detecting tubes, suitable spare parts such as detecting tubes are to be provided onboard in addition to the equipments specified in the preceding (1) by taking into account the shipboard work and the frequency of carriage of the cargo. In the case of the detecting tube type, detecting tubes are to be provided for each kind of loadings cargos as above requirement, but two suction pumps for each type of the portable detection equipments may be enough.

N13.6.6 Gas Detection for Toxic Gases

For the purpose of the requirements in **13.6.6, Part N of the Rules**, the gas sampling pipes of hold spaces and interbarrier spaces dealing with toxic gas in case of portable gas detection equipment are to have openings at the upper part or lower part of the compartment in consideration of the cargo vapour density and automatic closing pipe heads are to be fitted at their top ends. In case where the sounding pipes specified in the requirements in **13.8, Part D of the Rules** can be used for the purpose in consideration of the cargo vapour density and the set pressure of the relief valve of the compartment, they may be used commonly therewith.

N13.6.12 Positions of Fixed Sampling Heads

For the purpose of the requirements in **13.6.12, Part N of the Rules**, the positions of fixed sampling heads are to be arranged where cargo vapours are liable to accumulate by taking into account the geometrical configurations of the compartment to be covered, construction and arrangement of the space within the compartment. In this case, the sampling heads are, as a rule, to be provided at least at two locations for each such compartment.

N13.6.14 Gas Detection of Spaces Required to be Inerted

For the purpose of the requirements in **13.6.14, Part N of the Rules**, the gas detection equipment for hold spaces and interbarrier spaces required to be inerted are to be in accordance with the following requirements (1) and (2):

- (1) In the case of integral tanks, the requirements in **13.6.14, Part N of the Rules** do not apply. However, the requirements in **13.6.2(2), Part N of the Rules** apply to the hold space of this cargo containment system.
- (2) The available measuring range of gas detector is to be ordinarily made under the graduation where the lower explosive limit is taken as 100% but the range may be changeable to measure gas concentration between 0% and 100% in volumetric percent if necessary.

N13.6.20 Measurement of Oxygen Levels

The “suitable instrument for the measurement of oxygen levels” referred to in the requirements in **13.6.20, Part N of the Rules** means the one as given in **N5.11.7** in a corresponding manner.

N13.7 Additional Requirements for Containment Systems Requiring a Secondary Barrier**N13.7.2 Temperature Indication Devices**

1 The word, “where applicable” referred to in the requirements in **13.7.2-2, Part N of the Rules** means the case where provision is made for heating the structural hull members as specified in the requirements in **4.19.1-5, Part N of the Rules**. At four points, at least, on double bottom tank top platings, the temperature sensors are to be provided.

2 For the purpose of the requirements in **13.7.2-3, Part N of the Rules**, the temperature indicating devices for cases of carrying the cargo at a temperature lower than -55°C are to be in accordance with the following requirements (1) and (2):

- (1) In order to verify the cooling down or loading procedures according to the requirements in **N4.13.4-1**, temperature indicating devices required in the provisions in **13.7.2-3, Part N of the Rules** are to be provided.
- (2) The temperature sensors provided for verifying the cooling down procedure specified in the requirements in **13.7.2-4, Part N of the Rules** are to be arranged under considering the arrangement of spray nozzles and construction of cargo containment system. For the other cargo tanks which can be regarded as having the same construction and arrangements as the cargo tanks provided with above sensors, the temperature indicating devices specified in the requirements in **13.5.1**, and **13.7.2-3, Part N**

of the Rules may only be provided.

N13.8 Automation Systems

N13.8.2 Design of Automation Systems

The wording “recognized standards deemed appropriate to the Society” in **13.8.2, Part N of the Rules** means *IEC 60092-504:2001*.

N13.8.10 Design of Integrated System

The wording “recognized standards deemed appropriate to the Society” in **13.8.10, Part N of the Rules** means *ISO/IEC 15288:2008* and *ISO 17894:2005*.

N13.9 System Integration

N13.9.3 Risk Assessment

1 The wording “integrated system” in **13.9.3, Part N of the Rules** means a combination of computer-based systems which are used for the control, monitoring/alarm and safety functions required for the carriage, handling and conditioning of cargo liquid and vapours that are interconnected in order to allow communication between different computer-based systems and to allow centralized access to monitoring/alarm and safety information and/or command/control. (Refer to *MSC/Circ.891*)

2 The wording “appropriate risk-based techniques” in **13.9.3, Part N of the Rules** means *FTA, FMEA, FMECA*, etc.

N13.11 Additional Requirements

N13.11.1 Installation of Gas Detection Equipment

The wording “the requirements otherwise specified” in **13.11.1, Part N of the Rules** means those specified in **R4.5.10-2(1), Part R**.

N14 PERSONNEL PROTECTION

N14.4 Personnel Protection Requirements for Individual Products (*IGC Code 14.4*)

N14.4.3 Decontamination Shower and Eyewash Stations

Decontamination showers and eyewash stations are to be located in the vicinity of cargo manifolds, cargo pump rooms, etc. which are vulnerable to cargo splashes, and shielding walls are to be provided to prevent crew members from being sprayed by any additional cargo splashes during eye washing. The construction of a special locker for the storage of protective equipment provided in the cargo area is to comply with the requirement in **11.3.3, Part 1, Part C of the Rules**. The piping for decontamination showers and eyewash is to be permanent metal piping complying with the requirements in **Chapter 12, Part D of the Rules**, and it is also to be provided with thermal insulation or drain connections at suitable locations to prevent freeze damage.

N15 FILLING LIMITS FOR CARGO TANKS

N15.4 Determination of Increased Filling Limit

N15.4.1 A Filling Limit Greater than the Limit of 98%

1 With respect to the requirements of **15.4.1-1(1)** and **15.4.1-1(2), Part N of the Rules**, all trim and list conditions within the range of 15° list and 0.015 L_f trim are to be considered when implementing the requirements.

2 With respect to the requirements of **15.4.1-1(1)** and **15.4.1-1(2), Part N of the Rules**, liquid levels, including operational margins, tolerances of measurement devices and volume expansion in fire scenarios are to be considered when implementing the requirements.

3 With respect to the requirements of **15.4.1-1(2), Part N of the Rules**, PRV inlets are to remain within vapour spaces at minimum distances of 40% of the diameters of suction funnels measured at the centres of the funnels above the liquid levels under conditions of 15° list and 0.015 L_f trim.

4 With respect to the requirements of **15.4.1-1(3), Part N of the Rules**, allowances may be obtained from the following equation:

$$\alpha_t = \sqrt{\alpha_1^2 + \alpha_2^2} + \alpha_3 + \alpha_4 (\%)$$

α_1 : relative increase in liquid volume due to the tolerance of level gauges (%)

$$\alpha_1 = \frac{dV}{dh} \cdot \frac{\Delta h}{V} \cdot 100$$

$\frac{dV}{dh}$: variation of tank volume per metre filling height at the filling height h (m^3/m)

h : filling height (m) at the filling limit FL to be investigated ($FL > 98\%$)

V : accepted total tank volume (m^3)

Δh : liquid level increase due to the maximum tolerance of level gauge (m)

($\Delta h = h \times \Delta Z$, ΔZ : maximum total tolerance of level gauges (%))

α_2 : relative increase in liquid volume due to the tolerance of temperature gauges (%)

Any one of the following equation may be used for the calculation.

$$\alpha_2 = \beta \cdot \Delta T$$

β : volumetric thermal expansion coefficient at reference temperature (%/K)

ΔT : maximum tolerance of temperature gauge (K)

$$\alpha_2 = 100 \times \left[1 - \left(\frac{T_C - T_L - \Delta T}{T_C - T_L} \right)^{0.26} \right]$$

T_C : critical temperature of the product (K)

T_L : highest loading temperature of the product (K)

α_3 : expansion of cargo volume due to pressure rise when pressure relief valves are relieving at maximum flow rate (%)

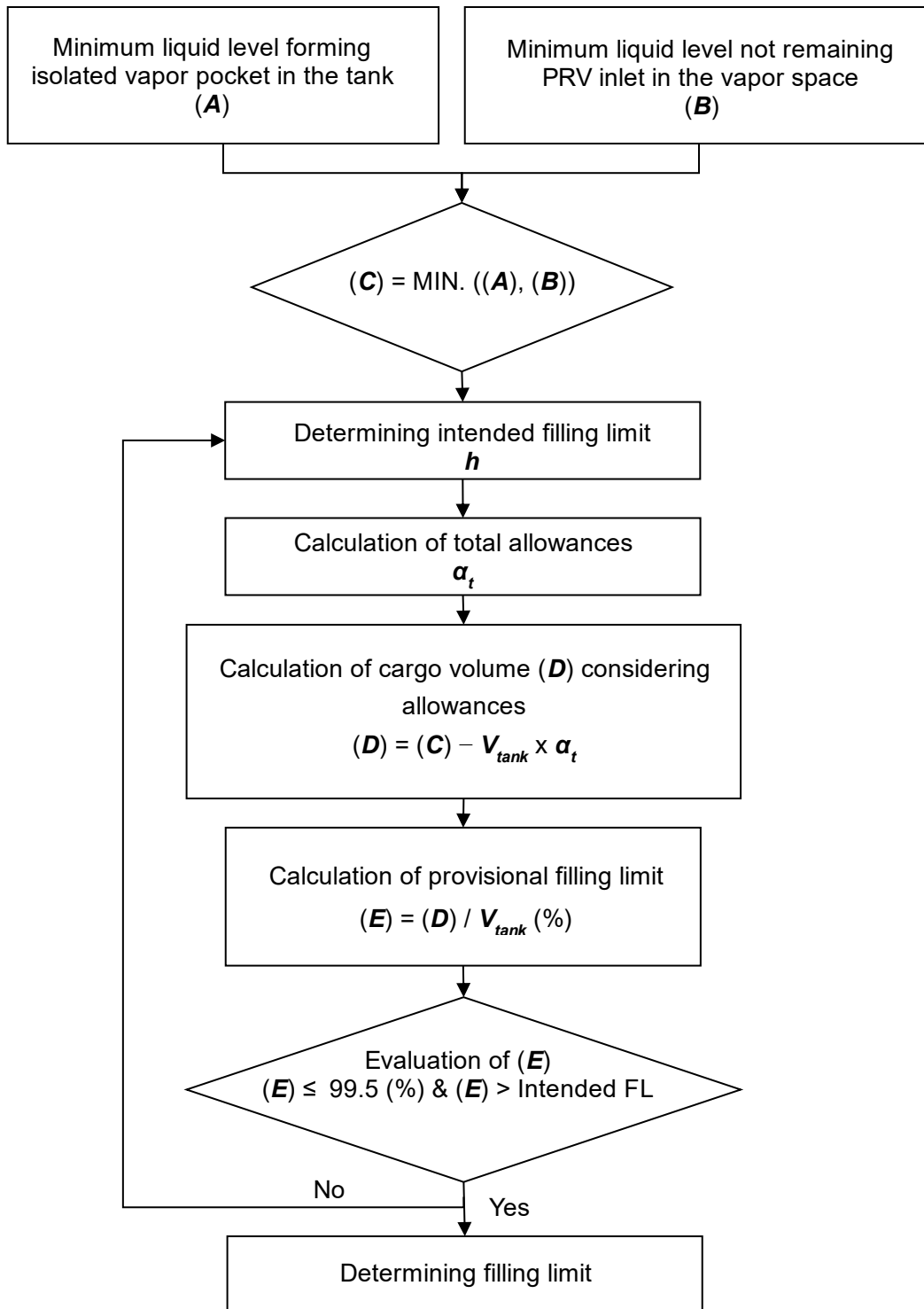
$$\alpha_3 = \left(\frac{\rho_{PRV}}{\rho_{PRV-1.2}} - 1 \right) \cdot 100$$

ρ_{PRV} : ρ_R cargo density at reference conditions (i.e., corresponding to the temperature of the cargo at set opening pressure of the pressure relief valve (PRV))

$\rho_{PRV-1.2}$: cargo density corresponding to the temperature of the cargo at 1.2 times the set opening pressure of the pressure relief valve (PRV)

α_4 : 0.1% operational margin

Fig.N15.4.1-1 Example flow diagram for filling limit calculations



N16 USE OF CARGO AS FUEL

N16.1 General

N16.1.1 General

1 The requirements for gas fuel engines, gas fuel boilers and gas combustion units are to be in accordance with [Annex 16.1.1-3, Part N of the Rules](#), [Annex 2 “Guidance for Dual Fuel Boilers”](#) and [Annex 2A “Guidance for Gas Combustion Units”](#) respectively. In addition, gas fuel turbines are to be as deemed appropriate by the Society.

2 Notwithstanding the requirements -1 above, if other cargo gases are used as fuel in accordance with [16.9.1, Part N of the Rules](#), gas fuel boilers, gas combustion units, gas fuel reciprocating internal combustion engines and gas turbines are to be approved by the Administration.

3 In applying [16.1.1, Part N of the Rules](#), [Annex 16.1.1-3, Part N of the Rules](#) is to be dealt with as follows:

- (1) The wording “specified separately by the Society” specified in [1.1-5, Annex 16.1.1-3, Part N of the Rules](#) refers to [8.3\(4\)\(i\), Chapter 8, Part 6 of the Guidance for the Approval and Type Approval of Materials and Equipment for Marine Use](#).
- (2) The wording “specified separately by the Society” specified in [3.1.1-2, Annex 16.1.1-3, Part N of the Rules](#) refers to [Chapter 2 to Chapter 4 of Annex 1](#).
- (3) The wording “deemed appropriate by the Society” specified in [4.1-9, Annex 16.1.1-3, Part N of the Rules](#) refers to [8.3, Chapter 8, Part 6 of the Guidance for the Approval and Type Approval of Materials and Equipment for Marine Use](#).
- (4) The wording “specified separately by the Society” specified in [4.3\(1\), Annex 16.1.1-3, Part N of the Rules](#) refers to [2.4.2 of Annex 1](#).
- (5) The wording “specified separately by the Society” specified in [4.3\(2\), Annex 16.1.1-3, Part N of the Rules](#) refers to [2.4.3 of Annex 1](#).

N16.3 Arrangement of Spaces Containing Gas Consumers

N16.3.4 Vents and Bleed Lines

The “flame screen” specified in [16.3.4, Part N of the Rules](#) is to be a type approved in accordance with the provisions of [Chapter 7, Part 6 of Guidance for the Approval and Type Approval of Materials and Equipment for Marine Use](#).

N16.5 Gas Fuel Plants and Related Storage Tanks

N16.5.3 Heating and Cooling Mediums

The wording “flame screen of an approved type” specified in [16.5.3, Part N of the Rules](#) refers to ones approved in accordance with the provisions of [Chapter 7, Part 6 of Guidance for the Approval and Type Approval of Materials and Equipment for Marine Use](#).

N16.7 Special Requirements for Gas-fired Internal Combustion Engines

N16.7.1 Arrangements

1 In applying [16.7.1-4, Part N of the Rules](#), pressure relief systems are not to continuously discharge exhaust gas into enclosed spaces.

2 A suitable pressure relief system is to be provided for air inlet manifolds, scavenge spaces and exhaust systems which are not designed to accommodate the worst-case overpressure due to ignited gas leaks or justified by the safety concept of the engine. Pressure relief systems provided for air inlet manifolds, scavenge spaces and for exhaust gas manifolds composing exhaust systems are to be approved by the Society in accordance with [Chapter 13, Part 6 of the Guidance for the Approval and Type Approval of Materials and Equipment for Marine Use](#). A detailed evaluation regarding the hazard potential of overpressure in air inlet manifolds, scavenge

spaces and exhaust systems is to be carried out and reflected in the safety concept of the engine. In the case of crankcases, explosion relief valves, as required in **2.4.3, Part D of the Rules**, are considered suitable for the gas operation of the engine. For engines not covered by **2.4.3, Part D of the Rules**, a detailed evaluation regarding the hazard potential of fuel gas accumulation in the crankcase is to be carried out.

N17 SPECIAL REQUIREMENTS

N17.12 Ammonia

N17.12.2 Provisions to Use Carbon Manganese Steel

For the purpose of the requirements in **17.12.2, Part N of the Rules**, steels for which the specified value of the maximum yield point or proof stress and “U” are to be suffixed to the grade mark are to be used in accordance with the requirements in **Chapter 3** or **Chapter 4, Part K of the Rules**.

N17.18 Propylene Oxide and Mixtures of Ethylene Oxide-propylene Oxide with Ethylene Oxide Content of not more than 30% by Weight

N17.18.14 Padding of Nitrogen Gas

For the purpose of the requirements in **17.18.14, Part N of the Rules**, the nitrogen gas generator of membrane type capable of ensuring a purity not less than 99% in volume may be used.

N18 OPERATING REQUIREMENTS

N18.3 Cargo Emergency Shutdown (ESD) System

N18.3.1 Cargo Emergency Shutdown (ESD) System

- 1 “Recognized standards” referred to in **18.3.1-1(4), Part N of the Rules**, means *ISO 28460:2010*.
- 2 For the purpose of **18.3.1-2, Part N of the Rules**, stop valves are not to be provided oil hydraulics and air piping for *ESD* valves.
- 3 “Fail-closed type” referred to in **18.3.1-2(1)(b), Part N of the Rules**, is to be in accordance with the following requirements (1) or (2) and (3).
 - (1) Oil hydraulics and air pressure are used only for the opening of the valves and the closing of the valves, including the fail-closed operation, is carried out by springs or weights.
 - (2) In cases where both the opening and closing of the valves are carried out by oil hydraulics or air pressure due to the impracticability of the (1) above derived from the large diameter of the valves, oil hydraulics or air pressure for the fail-closed operation is to be supplied from a specially provided pressure accumulation tank. The composition of the system is to be in accordance with the following requirements (a) and (b).
 - (a) Cylinders for valve operation may be used both for the normal operation and the fail-closed operation. However, oil hydraulics and air pressure piping from the specially provided pressure accumulation tank for fail-closed operation to the cylinders for valve operation is not usable as that for the normal operation. Further, stop valves are in principle not to be provided for the oil hydraulics or air pressure piping for the fail-closed operation.
 - (b) The pressure accumulation tank for the fail-closed operation is to have the capacity sufficient to activate all the connected *ESD* valves at least twice. In cases where one accumulation pressure tank is connected to the identical *ESD* valves fitted to the both sides, the tank may have the capacity sufficient to activate the *ESD* valve on only one side at least twice.
 - (3) Visible and audible alarms are to be activated in a normally manned control station (e.g. cargo control room and/or the navigation bridge, etc.) at the loss of oil hydraulics or air pressure for the normal operation, in cases which may cause fail-close.
- 4 “Capable of local manual closure” referred to in **18.3.1-2(1)(b), Part N of the Rules**, means the valves capable of closure by manual release of oil hydraulics or air pressure utilizing the fail-closed system, or by a manual pump, in addition to those capable of direct manual closure by a handle device.
 - 5 “Close fully and smoothly within 30 seconds of actuation” referred to in **18.3.1-2(1)(c), Part N of the Rules**, may not be applied to the manual closure as given in the -4 above.
 - 6 The confirmation of the actual valve position by the position of the handle device for *ESD* valves is not accepted as “positive indication of the actual valve position” referred to in **18.3.1-2(1)(b), Part N of the Rules**.
 - 7 Additional cargo transfer equipment (including transfer loading arms, bunkering booms, transfer hoses, reducers, spool pieces and transfer hose reels) is also to be regarded as cargo manifolds as stipulated in **18.3.1-3(1)(b), Part N of the Rules**, and the method of detection used on weather decks is to cover such cargo manifolds as well as the areas where liquid piping is regularly disassembled.
 - 8 In applying Note 1)d of Table N18.1, a hardware system such as an electric or mechanical interlocking device is to be provided to prevent inadvertent operation of cargo pumps and inadvertent opening of manifold *ESD* valves.

N18.4 Operating Requirements

N18.4.7 Entry into Enclosed Spaces

For the purpose of the requirements in **18.4.7, Part N of the Rules**, entry into enclosed spaces is to be in accordance with *IMO Resolution A.1050(27)*.

N18.4.8 Cargo Sampling

The requirements specified in **18.4.8, Part N of the Rules** are to be applied in accordance with **N5.6.5-1**.

N19 MINIMUM REQUIREMENTS

N19.1 General

N19.1.1 Application

The requirements for the construction and equipment of the ship when “Other liquefied gases having same hazard of the products listed above” referred to in column a of **Table N19.1** in **Chapter 19, Part N of the Rules** is carried are to be determined according to the physical properties (vapour pressure, liquid density, latent heat of evaporation, etc.) of the cargo as far as the basic design of the construction and equipment are concerned unless otherwise required by the Administration. Further, each item of the minimum requirements and special requirements specified in **Table N19.1** in **Chapter 19, Part N of the Rules** are to be determined individually.

Annex 1

GUIDANCE FOR EQUIPMENT AND FITTINGS OF SHIPS CARRYING LIQUEFIED GASES IN BULK

Chapter 1 GENERAL

1.1 Application

1 This Guidance specifies the technical requirements applicable to the cargo handling equipment and fittings used in ships carrying liquefied gases in bulk (hereinafter referred to as “equipment, etc.” in this Chapter) in accordance with the relevant requirements in **Part N of the Rules** and **Part N of the Guidance**.

2 For the equipment, etc. manufactured in accordance with the requirements of the Rules or Standards which are recognized to be equivalent to those contained in this Guidance and certified by the organization approved by the Society, omission in the part or of the whole requirements in this Guidance may be accepted.

1.2 Submission of Plans and Documents

According to the requirements in **2.1.3, Part B of the Rules**, the following plans and documents relating to the equipment, etc. and those specified in **Chapter 2** and thereafter where appropriate are to be submitted to the Society:

- (1) Plans and documents for approval
 - (a) List of particulars
 - (b) Details of structural members
 - (c) Material specifications of structural members
 - (d) Details of welding procedures for structural members (including tests and inspection)
 - (e) Local piping diagrams (various piping diagrams specifying the pipe materials, size and working pressure)
 - (f) Diagrams of control system (including monitoring, safety and alarm systems)
 - (g) Other plans and documents as deemed necessary by the Society depending on the type of the equipment, etc.
- (2) Other plans and documents for reference
 - (a) Outline plans
 - (b) Sectional assembly
 - (c) Installation procedure
 - (d) Instruction manual
 - (e) Strength calculation sheets of structural members (thermal stress calculations are to be included where deemed necessary)
 - (f) List of spare parts
 - (g) Other plans and documents deemed necessary by the Society depending on the type of the equipment, etc.

1.3 Tests

1 For the tests of the equipment, etc., the relevant requirements in the Rules and the Guidance apply, and in addition, those tests specified in **Chapter 2** of this Guidance are to be conducted depending on the type.

2 In addition to the tests specified in the preceding **-1**, those in greater details on typical product type may be requested by the Society taking into account the service conditions, construction and service records of the equipment, etc.

3 The tests specified in the preceding **-1** and **-2** are to be conducted at the manufacturing plant. However, when the Society deems appropriate at the request of the manufacturer, part or the whole of the test may be conducted after being installed on board the ship. To implement surveys of shop tests, in lieu of traditional ordinary surveys where the Surveyor is in attendance, the Society may approve

survey methods which it considers to be able to obtain information equivalent to that obtained through traditional ordinary surveys.

Chapter 2 CARGO COMPRESSORS

2.1 General

2.1.1 Application

- 1 This chapter applies to gas compressors used for cargo gas.
- 2 The steam turbine, gas turbine, electric motor and their power transmission systems used for driving the gas compressors are to comply with the relevant requirements in **Part D** and **Part H of the Rules**.

2.2 Submission of Plans and Documents

2.2.1 Other Plans and Documents for Reference

- 1 In addition to the requirements specified in the preceding **1.2(2)**, those given in the following **(1)** to **(3)** are to be submitted:
 - (1) Data relating to thermal deformation of the low temperature parts
 - (2) Piping and pipe connection procedures
 - (3) Casing insulation procedure
- 2 In order to verify that the design is suitable for use in the marine environment as specified in **2.3.3-7**, manufacturers are to submit documents showing that the design complies with **2.3.3-7(1)** to **(4)**.

2.3 Materials, Construction and Strength

2.3.1 General

- 1 Each size and type of gas compressor is to be subjected to a design assessment.
- 2 For the design assessments of gas compressors, *API 617:2014+ERR1:2016*, *API 618:2016* or *API 619:2010*, as applicable, may be used, or other applicable recognised standards acceptable to the Society may be considered.

2.3.2 Materials

- 1 The materials used for main structural parts are to be suitable for their working condition such as service temperature, pressure, etc. and to be in accordance with the relevant requirements, **Part K of the Rules** for use of pressure bearing parts.
- 2 The materials used for main structural parts with the design temperature not exceeding -55°C are to be in accordance with the requirements in the relevant requirements in **Part K of the Rules** and **Table N6.4, Part N of the Rules**.
- 3 When deemed necessary by the Society, non-destructive testing specified in **5.1.10** or **6.1.10, Part K of the Rules** may be requested for main structural parts.
- 4 The main structural parts of gas compressors specified in this Chapter mean, as a rule, those as given in the following **(1)** to **(3)**:
 - (1) Centrifugal gas compressors
 - (a) Impeller
 - (b) Inducer
 - (c) Guide vane
 - (d) Casing
 - (e) Shaft and coupling
 - (2) Displacement gas compressors
 - (a) Cylinder cover and cylinder liner
 - (b) Piston and piston rod/connecting rod
 - (c) Crankshaft and shaft coupling
 - (d) Bed
 - (e) Screw or gear (in case of rotary type)
 - (f) Casing (in case of rotary type)

(3) Others as required by the Society depending on the construction system

2.3.3 Construction and Installation

1 The gas compressors are to be free from gas leakage as far as practicable and to be of nonsparking construction.

2 The low temperature parts of the gas compressors are to have such a thermally protected construction as not to be adversely affected by the temperature difference between these parts and the connected parts at room temperature or high temperature.

3 The shaft sealing of the gas compressors is to conform to the following requirements (1) and (2):

(1) The shaft sealing of the compressor is to have a sufficient gas sealing ability at the service temperature and pressure, and have a construction durable for an extended continuous operation.

(2) The shaft sealing of the gas compressor is to have such a construction that no gas leakage or ingress of the atmospheric air would be caused when the gas compressor comes to stop.

4 Suitable means are to be provided so that no excessive force would be imposed on the gas compressor due to deformation of the piping connected thereto and ship deflections.

5 In case where the gas compressors are driven by the steam turbine installed in the same compartment, the temperature of the steam to drive the turbine is to be sufficiently safe being lower than the spontaneous ignition temperature of boil-off gas.

6 The gas compressors including the driving machine and power transmission system are to withstand the mechanical and thermal load and vibration in normal working condition.

7 Compressors are to be suitable for their intended purpose. All equipment and machinery are to be adequately designed to ensure suitability within a marine environment with due consideration to [Table D1.1, Part D of the Rules](#) and [Table H1.2, Part H of the Rules](#). Such items to be considered would include, but not be limited to:

(1) environmental;

(2) shipboard vibration and accelerations;

(3) effects of pitch, heave and roll motions, etc.; and

(4) physical and chemical properties of product

8 In case where generation of harmful surging is likely at low load depending on the type of gas compressor, effective preventive steps such as the provision of recirculation line are to be taken.

9 Where an excessive temperature rise due to recirculation is anticipated, effective preventive means are to be taken.

10 The gas compressors are to have such a construction as to allow gas purging at time of overhauling without difficulty and are to be provided with suitable purge connections.

2.3.4 Strength

1 The gas compressors are to be designed with due considerations taken on the following items (1) through (11):

(1) The maximum cargo vapour pressure in service condition

(2) Internal casing pressure

(3) Local loads by the connected piping and supports

(4) Thermal stress

(5) Impact or vibration load due to contact or rotation as necessary

(6) Load imposed by static angle of heel of 30 degrees

(7) Own weights of main structural parts and attached insulation materials

(8) Load imposed by rotation

(9) In reciprocating type gas compressors, unbalanced weight and equipment vibration

(10) Axial thrust

(11) Other pressure and load consideration of which is deemed necessary by the Society

2 The thickness of the casing and cylinders serving as the pressure-bearing parts of the gas compressors are, as a rule, to have the value greater than that determined by the requirements in [10.5 to 10.7, Part D of the Rules](#) by using the maximum internal pressure determinant from [-1](#). When deemed necessary, the Society may request submission of the direct calculations sheets.

3 As the allowable stress used in the calculation in the preceding [-2](#), the value required for type C independent tanks in [4.23.3-1\(1\), Part N of the Rules](#) is, as a rule, to be employed.

4 The efficiency of welded joints and corrosion allowance used in the preceding [-2](#) are to be of the values specified in [10.4.2](#) and [10.4.3, Part D of the Rules](#).

5 The strength of main structural parts which undergo rotating or reciprocating motions is left to the discretion of the Society.

2.4 Safety Devices

2.4.1 General

The gas compressors are to be provided with sufficient protective equipment and monitoring systems to ensure the safe and stable operating performance according to their type and service conditions.

2.4.2 Monitoring Systems and Safety Devices

1 The gas compressors are to be provided with the monitoring systems, alarm systems and safety devices specified in **Part N of the Rules**, and in addition, with those suitable to deal with the following abnormalities (1) through (8):

- (1) Abnormal rise of gas outlet temperature
- (2) Low lubricating oil pressure
- (3) Low sealing liquid pressure of shaft seal assembly
- (4) Stopping of cooling water supply and abnormal rise of cooling water outlet temperature
- (5) Loss of control power
- (6) Surging
- (7) Low sealing liquid pressure of bearings
- (8) Others as deemed necessary by the Society according to the operating system

2 The driving units of gas compressors are to be provided with the safety devices specified in **3.3 and 4.3, Part D of the Rules** and **2.3, Part H of the Rules** depending on the type.

2.4.3 Emergency Stopping System

The gas compressors are to be provided with emergency stopping systems which can be locally operable and remotely operable from the control station.

2.4.4 Critical Speed

1 The critical speed of the centrifugal type gas compressors is not to be within the following ranges (1) and (2):

- (1) Rigid shaft ; below 120% of the maximum service speed in rpm
- (2) Flexible shaft ; below 85% of the minimum service speed, for the primary critical speed and to below 120% of the maximum service speed for the secondary primary critical speed in rpm

2 The service speed in rpm of the reciprocating type gas compressors is not to be set within $\pm 10\%$ of the natural frequency of the rotating shafting system.

2.5 Accessory Installations

2.5.1 Lubricating Systems

1 The lubricating system of the gas compressors having the bearings of forced lubrication is to be in accordance with the following requirements (1) through (5):

- (1) To be sufficient for providing lubrication at start-up and stopping.
- (2) The lubricating oil strainers are to be capable of being renewed during the operation of gas compressors.
- (3) To be capable of maintaining the lubricating oil temperature at a reasonable level.
- (4) To be provided with a lubricating oil sump sufficient in capacity to contain the lubricating oil in the amount necessary for ordinary operation even when the compressor is not in operation.
- (5) To be of such a construction that no ingress of the gas into the lubricating oil is permitted. However, in case where mixing with the gas is structurally presumed in the design, this requirement may be dispensed with.

2 The lubricating oil system of the driving units of gas compressors and power transmission system is to conform to the requirements in **3.3.3, 4.4.6 or 5.2.5, Part D of the Rules** correspondingly.

2.6 Tests and Inspection

2.6.1 Type Tests

1 Each size and type of gas compressor is to be subjected type tests in the presence of a Society surveyor and approved for use in accordance with **Chapter 2, Part 6 of the Guidance for the Approval and Type Approval of Materials and Equipment for Marine Use**.

2 The type testing in the preceding -1 is to be consistent with the applicable standard as applied for the design assessment in 2.3.1. In addition, at least the following (1) to (6) tests and inspections are to be carried out.

- (1) Material tests are to be carried out in accordance with relevant requirements in **Part K of the Rules** and **Table N6.4, Part N of the Rules**.
- (2) Hydrostatic tests or pressure tests are to be carried out on pressure-bearing parts for at least 30 *minutes* at test pressures 1.5 *times* design pressure (or 1.25 *times* design pressure where the test fluid is compressible). Pressure tests are to use air or another suitable gas.
- (3) Mechanical running tests and performance tests are to record the following (a) to (f) to ensure that limits do not exceed those proposed by manufacturers and that other features relating to the performance of the equipment are in accordance with specifications.
 - (a) the gas used;
 - (b) temperatures and pressures;
 - (c) testing of alarm and shut down;
 - (d) pressure relief devices activation and deactivation pressure;
 - (e) vibration measurements; and
 - (f) power consumption and the gas loads (performance test only)
- (4) Vibration evaluation criteria for machinery and equipment, consistent with applicable recognised standards as applied to the design, are to be submitted by manufacturers. The term “the applicable recognised standards as applied to the design” here refers to the following (a) to (g). Otherwise, when the data on the vibration criteria are not available, justification is to be submitted for criteria used as reference in terms of overall Root Mean Square (RMS) vibrational velocity value for normal operation conditions.
 - (a) ISO 7919-3:2009/AMD 1:2017
 - (b) ISO 10816-3:2009/AMD 1:2017
 - (c) ISO 10816-7:2009
 - (d) ISO 10816-8:2014
 - (e) ISO 20816-1:2016
 - (f) ISO 20816-8:2018
 - (g) Other recognised standards deemed appropriate by the Society.
- (5) With respect to the vibration evaluation criteria specified in the preceding (4), alternative limits demonstrated by fatigue calculations may be accepted by the Society.
- (6) Other tests and inspections as deemed necessary by the Society depending on the type of gas compressor.

2.6.2 Product Inspections

1 Gas compressors are to be subjected to the following (1) to (3) tests and inspections during manufacturing in the presence of a Society surveyor.

- (1) Material tests are to be carried out in accordance with relevant requirements in **Part K of the Rules** and **Table N6.4, Part N of the Rules**.
 - (2) Pressure-bearing parts of gas compressors are to be subjected to hydrostatic tests or pressure tests for at least 30 *minutes* at test pressures 1.5 *times* design pressure (or 1.25 *times* design pressure where the test fluid is compressible). Pressure tests are to use air or another suitable gas.
 - (3) Upon completion of manufacturing, operating tests are to be carried out using gases deemed appropriate by the Society according to design temperature.
- 2 The presence of a Society surveyor at the tests and inspections specified in the preceding -1, may be omitted upon manufacturer

request when by the following (1) to (3) are satisfied.

- (1) Gas compressors have been approved in accordance with the type tests specified in **2.6.1-2**.
 - (2) Manufacturers have been separately assessed and approved in accordance with the **Rules for Approval of Manufacturers and Service Suppliers**.
 - (3) Manufacturer quality control plans contains information on the implementation of the tests specified in **2.6.1-2(2)** and **(3)**. In such cases, manufacturers are to maintain records of such tests.
- 3** The leak tests specified in **5.13.2-3, Part N of the Rules** are to be carried out after installation on board ship.
- 4** Gas compressors are to be subjected to the service tests specified in **5.13.2-5, Part N of the Rules** after installation on board ship.

Chapter 3 CARGO PUMPS

3.1 General

3.1.1 Application

- 1 This chapter applies to pumps used for liquid or vapour cargo.
- 2 The driving motors of the cargo pumps are to conform to the requirements in this Chapter, and in addition the relevant requirements in **Part H** and **Part N of the Rules** are to be complied with.

3.2 Submission of Plans and Documents

3.2.1 Plans and Documents for Reference

- 1 In addition to the plans and documents specified in **1.2(2)**, the following **(1)** and **(2)** are to be submitted for reference:
 - (1) data related to thermal deformation of the low temperature parts; and
 - (2) sectional assembly plans for driving motors of submerged type pumps which indicate total rating, principal dimensions, materials (including electrical insulation materials) and weight.
- 2 In order to verify that the design is suitable for use in the marine environment as specified in **3.3.3-8**, manufacturers are to submit documents showing that the design complies with **3.3.3-8(1)** to **(4)**.

3.3 Materials, Construction and Strength

3.3.1 General

- 1 Each size and type of pump is to be subjected to a design assessment.
- 2 For the design assessments of pumps, *ISO 13709:2009* and *ISO 24490:2016*, as applicable, may be used, or other applicable recognised standards acceptable to the Society may be considered.

3.3.2 Materials

- 1 The materials used for main structural parts are to be suitable for their working condition such as service temperature, pressure, etc. and pressure bearing parts are to be in accordance with the relevant requirements in **Part K of the Rules**.
- 2 The materials used in main structural parts with the design temperature not exceeding -55°C are to conform to the relevant requirements in **Part K of the Rules** and the requirements of **Table N6.4** in **Part N of the Rules**.

3 When it is deemed necessary by the Society, the non-destructive tests specified in **5.1.10** or **6.1.10, Part K of the Rules** may be requested for the main structural parts.

4 The main structural parts of pump specified in this Chapter mean generally those as given in the following **(1)** through **(6)**:

- (1) Casing (including cargo discharge outlet in the case of deepwell type)
- (2) Impeller
- (3) Inducer
- (4) Shaft and shaft coupling
- (5) Guide vane
- (6) Others as designated by the Society according to the structural type

3.3.3 Construction and Installations

- 1 The pump is to be of non-sparking construction.
- 2 The pump is to be such that sufficient consideration is given to the prevention of generation of cavitation.
- 3 The electrical insulation materials and insulated cables of the driving motors of submerged type pump are to sufficiently withstand the service environment, and the insulation resistance of the motor is not to be less than the value specified in **2.4.15(3), Part H of the Rules**.
- 4 The pumps dealing with cargo at a low temperature are to have such a construction that sufficient consideration is taken

against thermal contraction.

5 The shaft sealing assemblies of deepwell type pumps and deck-mounted type pumps are to be of the construction specified in **2.3.3-3** correspondingly.

6 The pumps are to be provided with suitable means to prevent them from receiving undue forces due to deformation of the piping connected thereto and deflections of the cargo tanks and ship deflections.

7 At the suction part of the pumps, suitable strainers depending on the properties of the cargo are to be provided as necessary.

8 Pumps are to be suitable for their intended purpose. All equipment and machinery are to be adequately designed to ensure suitability within a marine environment with due consideration to **Table D1.1, Part D of the Rules** and **Table H1.2, Part H of the Rules**. Such items to be considered would include, but not be limited to:

- (1) environmental;
- (2) shipboard vibration and accelerations;
- (3) effects of pitch, heave and roll motions, etc.; and
- (4) physical and chemical properties of product

3.3.4 Strength

1 The pumps are to be designed by taking into account the combination of the following pressure and load **(1)** through **(8)**:

- (1) Maximum cargo vapour pressure at service condition
- (2) Cargo discharge pressure
- (3) Local loading due to the piping connected and supports
- (4) Shaft thrust
- (5) Thermal stress
- (6) Own weight
- (7) Load due to rotation
- (8) Other pressure and load as deemed necessary by the Society

2 The thickness of the pressure-bearing part of the pump is, as a rule, to be not less than the value determined by the requirements in **10.5** to **10.7, Part D of the Rules** by using the maximum internal pressure obtained from the **-1** above. When deemed necessary, the Society may request submission of the direct calculations sheets.

3 The allowable stress used in the calculation in the **-2** above is to be of the value required for type C independent tanks in **4.23.3-1(1), Part N of the Rules**.

4 The efficiency of welded joints and corrosion allowance used in the calculation in the **-2** above are to be of the values specified in **10.4.2** and **10.4.3, Part D of the Rules** respectively.

5 The strength of main structural parts such as the shaft, shaft coupling and impeller excluding the pressure-bearing parts is left to the discretion of the Society.

3.4 Safety System

3.4.1 General

The pumps are to be provided with sufficient safety devices and monitoring systems to ensure safe and stable operating performance depending on the type and service conditions.

3.4.2 Monitoring Systems and Safety Devices

The pumps are to be provided with monitoring systems, alarm systems and safety devices specified in **Part N of the Rules**, and in addition, with those suitable to deal with the following abnormalities **(1)** to **(3)**:

- (1) Low discharge pressure
- (2) Over current and abnormal drop of current
- (3) Others as deemed necessary by the Society

3.5 Accessory Installation

3.5.1 Lubricating System

1 For pumps where lubrication is effected by forced circulation of the cargo liquid, sufficient consideration is to be taken for preventing ingress of foreign matters by providing filters at the inlet of the lubricating cargo liquid.

2 For pumps where lubrication is effected by forced circulation of the cargo liquid, sufficient consideration is to be taken for the properties such as the viscosity and temperature having close relevance to lubrication and compatibility with the bearing materials.

3.6 Tests and Inspection

3.6.1 Type Tests

1 Each size and type of pump is to be subjected to type tests in the presence of a Society surveyor and approved for use in accordance with **Chapter 2, Part 6 of the Guidance for the Approval and Type Approval of Materials and Equipment for Marine Use**.

2 The type tests specified in -1 above are to be the tests and inspections specified in the following (1) to (6).

- (1) Material tests are to be carried out in accordance with relevant requirements in **Part K of the Rules** and **Table N6.4, Part N of the Rules**.
- (2) Hydrostatic tests or pressure tests are to be carried out on pressure-bearing parts at test pressures 1.5 *times* design pressure. Pressure tests are to use air or another suitable gas.
- (3) Operating tests are to be carried out on pumps according to design temperature. For submerged electric motor driven pumps, the operating test is to be carried out with the design medium or with a medium below the minimum working temperature. For shaft driven deep well pumps, the operating test may be carried out with water. In addition, for shaft driven deep well pumps, a spin test to demonstrate satisfactory operation of bearing clearances, wear rings and sealing arrangements is to be carried out at the minimum design temperature. The full length of shafting is not required for the spin test, but must be of sufficient length to include at least one bearing and sealing arrangements.
- (4) Pumps are to be opened up and inspected for abnormalities upon completion of the tests specified in (3) above.
- (5) Vibration evaluation criteria for machinery and equipment, consistent with applicable recognised standards as applied to the design, are to be submitted by manufacturers. The term “the applicable recognised standard as applied to the design” here refers to the following (a) to (g).
 - (a) *ISO 7919-3:2009/AMD 1:2017*
 - (b) *ISO 10816-3:2009/AMD 1:2017*
 - (c) *ISO 10816-7:2009*
 - (d) *ISO 10816-8:2014*
 - (e) *ISO 20816-1:2016*
 - (f) *ISO 20816-8:2018*
 - (g) Other recognised standards deemed appropriate by the Society.
- (6) Other tests and inspection deemed necessary by the Society according to pump type.

3.6.2 Product Inspections

1 Pumps are to be subjected to the tests and inspections specified in the following (1) to (3) during manufacturing in the presence of a Society surveyor:

- (1) Material tests are to be carried out in accordance with relevant requirements in **Part K of the Rules** and **Table N6.4, Part N of the Rules**.
- (2) Pressure-bearing parts of pumps are to be subjected to hydrostatic tests or pressure tests at a test pressure of 1.5 *times* design pressure. Pressure tests are to use air or another suitable gas.
- (3) Pumps are to be subjected to operating tests according to design temperature. For submerged electric motor driven pumps, the operating test is to be carried out with the design medium or with a medium below the minimum working temperature. For shaft driven deep well pumps, the operating test may be carried out with water.

2 The presence of a Society surveyor for the tests and inspections specified in the preceding -1, may be omitted upon manufacturer

request when the following (1) to (3) are satisfied.

- (1) Pumps have been approved in accordance with the type tests specified in [3.6.1-2](#).
 - (2) Manufacturers have been separately assessed and approved in accordance with the [Rules for Approval of Manufacturers and Service Suppliers](#).
 - (3) Manufacturer quality control plan contains information on the implementation of the tests specified in [3.6.1-2\(2\)](#) and (3). In such cases, manufacturers are to maintain records of such tests.
- 3 The leak tests specified in [5.13.2-3, Part N of the Rules](#) are to be carried out after installation on board ship.
 - 4 Pumps are to be subjected to the service tests specified in [5.13.2-5, Part N of the Rules](#) after installation on board ship.

Chapter 4 HEAT EXCHANGERS

4.1 General

4.1.1 Application

This chapter applies to heat exchangers used for liquid or vapour cargo.

4.2 Materials, Construction and Strength

4.2.1 Materials

1 The structural materials in contact with cargo liquid or vapour are to conform to the relevant requirements in [Part K of the Rules](#) and in [Chapter 6, Part N of the Rules](#).

2 The structural materials not in contact with cargo liquid or vapour are to be as deemed appropriate by the Society depending on the type of refrigerant or heating media, design temperature and design pressure.

4.2.2 Construction and Strength

1 The structural members in contact with cargo liquid or vapour are to be designed in accordance with the requirements relative to Group 1 pressure vessels and heat exchangers specified in [Chapter 10, Part D of the Rules](#) irrespective of the design temperature and design pressure.

2 The structural members not in contact with cargo liquid or vapour are to be as deemed appropriate by the Society depending on the type of refrigerant or heating medium, design temperature and design pressure.

3 Heat exchangers with the design temperature below -55°C are to be subjected to strength analysis for thermal stress.

4.3 Tests and Inspection

4.3.1 Prototype Test

Prototype of heat exchangers for cargo liquid, vapour or refrigerant used at temperatures below -55°C are to be subjected to tests as deemed appropriate by the Society depending on the type of heat exchanger whereby it is to be verified that the performance is satisfactory, except for those types which have sufficient service histories.

4.3.2 Product Inspection

1 All heat exchangers are to be tested in accordance with the requirements in [10.9, Part D of the Rules](#).

2 In case where the Society deems necessary, airtightness test under the design pressure at the temperature condition below the design temperature of heat exchanger will be requested.

3 Heat exchangers, after being installed in ships, are to be subjected to service tests in accordance with the requirements in [N4.20.3-4 to -7 of the Guidance](#).

Chapter 5 VALVES

5.1 General

5.1.1 Application

The requirements in this chapter apply to valves directly fitted onto cargo tanks or interbarrier spaces, valves for cargo and process piping, and valves for accessory piping or instrumentation piping in accordance with the requirements in **Chapter 5, Part N of the Rules**. Relief valves subject to the requirements in **Chapter 6** are exempt from these requirements.

5.2 Materials, Construction and Strength

- 1 The materials of principal pressure bearing parts of valves are to conform to the requirements in **N5.12.1 of the Guidance**.
- 2 The construction and strength of valves are to be in accordance with the requirements in recognized standards.

5.3 Tests and Inspection

5.3.1 Type Test

1 Valves whose design temperatures are below -55°C are to be subjected to the tests and inspections specified in (1) to (9) below, taking into consideration **5.13.1-1, Part N of the Rules** and approved for use in accordance with **Chapter 2, Part 6 of the Guidance for the Approval and Type Approval of Materials and Equipment for Marine Use**.

(1) Material test:

As per the requirements in the relevant Chapters of **Part K of the Rules** and **Table N6.4, Part N of the Rules**

(2) Pressure test:

Tests are to be conducted at a pressure 1.5 times the design pressure at room temperature.

(3) Airtightness test:

Tests are to be conducted after assembly at 1.1 times the design pressure at room temperature.

(4) Leakage verification test:

Tests are to be conducted at over entire range of working temperature and working pressure, raised in increments, as given in **Table 5.1** up to 1.1 times the design pressure. For valves which are capable of sealing in both directions, tests are to be conducted for both directions. For valves having a tendency of greater leakage at low pressure, additional leakage tests are to be conducted at a temperature not higher than the design pressure which is designated by the Society. At the test at room temperature, there is, as a rule, to be no leakage. At the test at low temperature, there is to be no leakage exceeding the rate of leakage as deemed appropriate by the Society.

(5) Operating test at low temperature:

Operating tests of valves at a temperature not more than the lowest design temperature are to be conducted for 20 times. After completion of the tests, tests for rate of leakage are to be conducted and it is to be verified that there is no significant difference between the result of this verification test and that of the test given in the preceding (4). After completion of the tests, the leakage test at room temperature in (4) is to be conducted once again to verify that there is no leakage.

(6) Open up inspection:

After completion of the test specified in the preceding (5), valves are to be opened up and inspected for abnormality.

(7) Flow or capacity test:

Flow or capacity is to be verified according to a recognized standard.

(8) Fire test:

For emergency shutdown valves, with materials having melting temperatures lower than 925°C (excluding an emergency shutdown valve in which components made of materials having melting temperatures lower than 925°C do not contribute to the shell or seat tightness of the valve), fire tests are to be conducted to a standard acceptable to the Society.

- (9) Other tests and inspection as deemed necessary by the Society depending on the type of valve.

Table 5.1

Design pressure (MPa)	Increment ⁽¹⁾ (MPa)
2.0 and below	0.35
5.0 and below	0.75
6.4 and below	1.0
10.0 and below	2.0

Note:

- (1) For valves with design pressure exceeding 10.0 MPa, increments are to the satisfaction of the Society

2 For valves not conforming to 5.2-2, detailed data on construction and strength are to be submitted to the Society, and such valves are to be type approved in accordance with **Chapter 2, Part 6 of the Guidance for the Approval and Type Approval of Materials and Equipment for Marine Use**.

5.3.2 Product Inspection

- 1 At time of manufacture, valves are to be subjected to the tests and inspection specified in the following (1) to (4):

- (1) Material test:

As per the requirements in the relevant Chapters of **Part K of the Rules** and **Table N6.4, Part N of the Rules**.

- (2) Hydraulic test:

Test is to be conducted at room temperature at a test pressure of 1.5 times the design pressure. However, for those to be fitted directly on type C independent tanks, the test is to be conducted at a pressure of twice the design pressure. Where test is conducted by a medium other than water, the requirements in **5.13.2-2, Part N of the Rules** are to be complied with.

- (3) Airtightness test:

Test is to be conducted at 1.1 times the design pressure at room temperature.

- (4) Leakage verification test for valve seat:

Leakage verification test for valve seat is to be conducted at room temperature at 1.1 times the design pressure for all the number of valves. Further, in case where the design temperature is below -55°C at least 10% of the total number of valves are to be tested at the temperature not more than the minimum design temperature and the pressure not less than 1.1 times the design pressure for each size and type of valves. When part of this sampling test failed, test for part or the whole of the valves not sampled at the temperature not more than the minimum design temperature will be requested.

- 2 After assembled in the ship, valves are to be subjected to service test specified in **5.13.2-3** and **5.13.2-5, Part N of the Rules**.

3 With respect to the tests and surveys specified in -1, except in the case of leakage verification tests for valve seats, are to be conducted at a temperature not more than the minimum design temperature specified in -1(4), in cases where manufactures have been assessed in accordance with the “**Rules for Approval of Manufacturers and Service Suppliers**”, the items requiring testing in the presence of Surveyors attendance may be reduced by the submission of test results.

4 With respect to the tests and surveys specified in -1, in the case of valves used for isolating instrumentation in piping which has a diameter not exceeding 25 mm, the surveyor of the Society need not be present during the performing of required tests and surveys provided that the results of in-house tests are submitted to the Society for review.

Chapter 6 RELIEF VALVES

6.1 General

6.1.1 Application

1 The requirements in this Chapter apply to the relief valves (including vacuum relief valves and rupture discs) provided in the cargo containment system, process pressure vessels, cargo piping and process piping in accordance with the requirements in **N5.5.6-2**, **N8.2.5** and **N8.3.1-2 of the Guidance**.

2 Unless otherwise specified, for relief valves fitted to process pressure vessels and cargo piping and process piping, application of part of the requirements in this Chapter may be dispensed with when deemed appropriate by the Society.

6.2 Materials, Construction and Strength

6.2.1 Materials

1 The materials of principal structural members of relief valve with the design temperature not less than 0°C are to be in accordance with the requirements in the relevant Chapters of **Part K of the Rules**. However, when the design pressure is below 3 MPa and nominal diameter is below 100A, the materials of structural members may be such as to conform to the requirements of *JIS* or recognized standards.

2 The materials of principal structural members of relief valves with the design temperature not exceeding 0°C are to be in accordance with the requirements of the relevant Chapters of **Part K of the Rules** and **Table N6.4, Part N of the Rules**.

3 In the preceding -1 and -2, the term “principal structural members” means the pressure bearing parts and other parts designated by the Society depending on the type.

6.2.2 Construction, etc.

1 Relief valves provided on type C independent tanks and process pressure vessels are to be of the following types (1) or (2). In case where valves of other type are used, approval is to be obtained from the Society in each case.

(1) Relief valves of high lift type (valve lift is not less than 1/15 but not more than 1/7 of the diameter of valve seat, the minimum areas of passage at the chest inlet and outlet are not to be less than 1 time and 2 times the required valve seat area respectively.

(2) Full bore valve (valve seat diameter is 1.15 times the throat diameter, the passage area of valve seat when the valve is open is 1.05 times the throat area, and the minimum passage area of the discharge outlet is 2 times or more of the passage of valve seat)

2 The construction of spring-loaded relief valve and its discharge pipe are to conform to the requirements in **9.9.3-12** and **-13, Part D of the Rules**, and in addition to the requirements of *JIS B 8210* Spring-loaded Relief Valves for Steam or Gas or other codes as deemed appropriate by the Society.

3 The construction of the pilot type relief valves is left to the discretion of the Society. In this case, those with non-metal diaphragm or membrane are to conform to the following requirements (1) to (3):

(1) To be capable of safely discharging the vapour even when exposed to fire. When deemed necessary by the Society, operating verification test under fire may be requested.

(2) When necessary, valve lifting gear as deemed appropriate by the Society is to be provided.

(3) Non-metallic membranes are to be of durability for not less than 3 years.

4 Relief valves are to be provided with sealing means as deemed appropriate by the Society and the popping pressure is to be set in the presence of the Society’s Surveyor, and further, means are to be provided to easily verify that no adjustments are made afterwards.

6.2.3 Strength

Relief valves are to be designed by taking into account the proper combinations of pressure and load as specified in the following (1) through (7):

(1) The design pressure of the cargo tank, interbarrier space, hold space, process pressure vessel and cargo piping or process piping to which the relief valves are fitted.

- (2) Set pressure of the relief valve
- (3) Additional load imposed by the piping connected
- (4) Load applied by spring, diaphragm or membrane
- (5) Impact load possibly generated at the time when the relief valve comes into function
- (6) Thermal stress
- (7) Other pressure and load as deemed necessary by the Society

6.3 Relieving Capacity

6.3.1 Relieving Capacity of Relief Valves

The relieving capacity of relief valves may be evaluated by the following equation. When cargoes of different type or those with different mixing ratio are carried, the relieving capacity is to be sufficient for either of the cargoes.

$$W = KCAP \sqrt{\frac{M}{ZT}}$$

where:

W : relieving capacity of relief valve (kg/h)

$A = \pi DL$ (cm^2 , in case of high lift type)

$A = \frac{\pi}{4} D_t^2$ (cm^2 , in case of full bore type)

D : diameter of valve seat (cm)

L : valve lift (cm)

D_t : throat diameter (cm)

P : absolute pressure of 1.2 times *MARVS* of the tank (MPa , ata)

P' : absolute pressure at valve exit (MPa , ata)

M : molecular weight of fluid

T : absolute temperature of fluid at pressure P (K)

Z : compression coefficient of fluid gas at pressure P and temperature T (in case uncertain, 1 is to be used)

K : the value determined by the prototype test specified in the following 6.4.1.

C : value determined by the following formula

(1) In case where $\frac{P'}{P} \leq \left(\frac{2}{k+1}\right)^{\frac{k}{k-1}}$

$$C = 3943 \cdot \sqrt{k \left(\frac{2}{k+1}\right)^{\frac{k+1}{k-1}}}$$

(2) In case where $\frac{P'}{P} > \left(\frac{2}{k+1}\right)^{\frac{k}{k-1}}$

$$C = 5584 \cdot \sqrt{\frac{k}{k-1} \left[\left(\frac{P'}{P}\right)^{\frac{2}{k}} - \left(\frac{P'}{P}\right)^{\frac{k+1}{k}} \right]}$$

k = specific heat of fluid at pressure P and temperature T (they may be the values in standard condition)

6.4 Tests and Inspection

6.4.1 Prototype Test

1 Relief valves other than those fitted to cargo piping and process piping with a design temperature of -55°C or above are to be subjected to prototype tests to verify that they possess the necessary performance and are to be approved for use in accordance with [Chapter 2, Part 6 of the Guidance for the Approval and Type Approval of Materials and Equipment for Marine Use](#).

2 The prototype test is to be conducted in accordance with the test plan approved by the Society. In the test plan, details of procedures to verify the following items (1) to (9) are to be specified depending on the type of relief valves. However, part of this test

(except for (1), (3), (4) and (5)) for valves having sufficient service records and approved by the Society may be omitted.

- (1) Strength of relief valve casing (including the verification of strength at the design temperature. A hydraulic test is to be conducted at a test pressure of 2 times design pressure. However, relief valves other than those fitted directly on type C independent tanks and process pressure vessels may be tested at a test pressure of 1.5 times design pressure.)
- (2) Strength of valve discs and valve seats (including verification of strength at the design temperature)
- (3) Rate of leakage of vapour through the valve seat (including verification at the design temperature)
- (4) Relieving capacity and coefficient of discharge (value of K) (as per the requirements in 6.4.2)
- (5) Operation at the design temperature and at the set pressure, if design temperature is below -55°C (to be operated at least 20 times)
- (6) Static strength and fatigue strength of membrane and bellows (including verification of strength at the design temperature)
- (7) Compatibility of structural materials with the cargo vapour and characteristics of aging deterioration under the intended atmosphere (particularly, those non-metallic materials exposed to cargo vapour)
- (8) Operating test under fire (however, this is applicable only to cases where non-metal bellows or membranes are used)
- (9) Others as deemed necessary by the Society depending on the type of relief valves

3 For the relief valves with non-metallic membranes, the renewal intervals of non-metallic membranes may be prolonged exceeding 3 years to those approved by the Society considering results of the tests specified in -2(6), (7) and (9) above.

6.4.2 Capacity Test

1 The tests to measure the relieving capacity and coefficient of discharge (hereinafter referred to as “capacity test”) are to be conducted when the coefficient K is intended to be increased from the value approved by the prototype test.

2 The capacity test procedure is to be in accordance with the following or other methods as deemed appropriate by the Society.

- (1) In case where $\frac{P_2}{P_1} \leq \left(\frac{2}{k+1}\right)^{\frac{k}{k-1}}$

To be accordance with the requirements in *JIS B 8225* “Measuring Method of Blow-off Coefficient of Relief Valves”.

- (2) In case where $\frac{P_2}{P_1} > \left(\frac{2}{k+1}\right)^{\frac{k}{k-1}}$

Capacity test is to be carried out for each size of valves to be used and the coefficient of discharge for each size valve is to be determined from the results of the capacity test.

P_1 : absolute pressure at valve inlet

P_2 : absolute pressure at valve exit

k : specific heat of fluid

3 The measurement in the capacity test is to be taken as a rule, by using orifice which is to be placed in the upstream of the test relief valve.

4 The test gas unless otherwise specified is to be the air which may be dealt with as a gas that changes its state according to the following equation:

$$\gamma = \frac{P}{RT}$$

where:

γ : weight of unit volume (kg/m^3)

T : absolute temperature (K)

P : absolute pressure (MPa)

R : gas constant of air ($=2.89$)

5 The coefficient of discharge measured by the capacity test may be used as the value K specified in 6.3 in the design by multiplying the constant specified by the Society (normally, 0.9) depending on the testing method.

6.4.3 Tests at Manufacturing Plants

1 Individual relief valves are to be subjected to the following tests (1) to (3) after manufacture:

- (1) Pressure test of pressure bearing parts:

A hydraulic test is to be conducted at a pressure 2 or more times design pressure. However, relief valves other than those fitted directly onto type C independent tanks and process pressure vessels may be tested at 1.5 times design pressure.

(2) Airtightness test of valve seats:

Airtightness test is to be conducted at a pressure in the proximity of the set pressure of the relief valve (at least 90% of the set pressure).

(3) Performance test:

The relieving pressure, blowdown pressure, valve lift and other operating conditions are to be verified.

2 The relieving pressure in the performance test is to be checked to verify if it is within the allowable range specified in **8.2.5-2(1), Part N of the Rules**, and the relief valve is to be sealed after the test in the presence of the Surveyor.

6.5 Additional Requirements for Relief Valves Used in Combination with Rupture Discs**6.5.1 Rupture Disc**

1 The construction and performance of rupture discs used in combination with relief valves are to conform to the requirements in *JIS B 8226* "Rupture Type Safety Devices" or equivalent standards as deemed appropriate by the Society.

2 Notwithstanding the requirements in the preceding **-1**, the rupture pressure and relieving capacity of rupture discs may be determined by the capacity test specified in **6.4.2** in a corresponding manner.

3 The allowable deviation of rupture pressure of rupture discs is to be correspondingly in accordance with the allowable deviation specified in **8.2.5, Part N of the Rules**.

6.5.2 Installation of Rupture Discs

1 Rupture discs may be used only for cases as required in **Chapter 17, Part N of the Rules**.

2 Rupture discs are to be so installed as not to interfere with the function of the relief valves after they rupture.

6.5.3 Combined Relieving Capacity Tests

1 Rupture disc and relief valve in combination are to be subjected to the capacity test specified in **6.4.2** in a corresponding manner (hereinafter referred to as the "combined relieving capacity test") whereby the relieving capacity and coefficient of discharge in combined assembly are to be determined. Here, the combined coefficient of discharge is the ratio of the relieving capacity determined by this test and the relieving capacity certified for individual relief valve by the test specified in **6.4.2**. This coefficient is not to exceed 1 under any circumstances.

2 In the combined relieving capacity test, the relief valve is to be caused to function by rupturing the rupture disc.

3 The design relieving capacity in combination of rupture disc and relief valve may be evaluated by multiplying the coefficient of combined relieving capacity determined by the preceding **-1** by the equation specified in **6.3.1**.

6.5.4 Shop Tests

The total number of individual rupture discs is to be subjected to visual inspection, and then rupture test is to be conducted for the number of rupture discs as deemed appropriate by the Society. The procedure of rupture test is to be in accordance with the requirements in *JIS B 8226* or other method as deemed appropriate by the Society.

Chapter 7 EXPANSION JOINTS (For Cargo Piping and Process Piping Systems)

7.1 General

7.1.1 Application

1 The requirements in this Chapter apply to bellows type expansion joints provided in the cargo piping and process piping systems in accordance with the requirements in **N5.13.1-2 of the Guidance**.

2 The requirements in this Chapter also apply to expansion joints of other types than bellows type of which use is approved only in cargo tanks.

7.2 Materials, Construction and Strength

7.2.1 Materials

1 The materials of principal structural members of expansion joints with the design temperature below 0°C are to be in accordance with the requirements in the relevant Chapters of **Part K of the Rules** and **Table N6.4 of the Rules** irrespective of the design pressure and nominal diameter.

2 The materials of principal structural members of expansion joints with the design temperature of not less than 0°C may be in accordance with the requirements in **N5.12.1-1(2)** and **(3) of the Guidance**.

3 In the preceding **-1** and **-2**, the term “principal structural members” means flanges and bellows where control rings and guide bars are not included.

4 In case where austenitic stainless steel is used as the material of bellows, the use of low carbon steel is recommended. When austenitic stainless steel is used, the solid solution heat treatment and passivation treatment are, as a rule, to be carried out after the completion of welding and plastic processing.

7.2.2 Construction and Strength

1 The design pressure of expansion joints provided in the cargo liquid piping system is not to be made smaller than 1.0 MPa. However, when they are provided on the cargo liquid piping system with open pipe ends within the cargo tank or pressure relief valve discharge lines, this requirement may be dispensed with, but even in this case the design pressure is not to be made smaller than 0.5 MPa or 10 times the relief valve set pressure.

2 The design pressure of expansion joints provided on the cargo vapour piping system is not to be made smaller than 0.5 MPa or 10 times the relief valve set pressure. However, when they are provided on the cargo vapour piping system with open pipe ends or pressure relief valve discharge lines, this requirement may be dispensed with, but not to be made smaller than 0.2 MPa.

3 The construction of flanged part of expansion joints is to be in accordance with the requirements in recognized standards.

4 For expansion joints used for cargo liquid piping system, it is recommended that inner sleeve be provided if it is likely that vibration is caused due to disturbance in the flow within the bellows.

5 In case where no protective covers such as outer sleeves are provided for the prevention of external freezing for expansion joints used in the exposed spaces, the expansion joints are to have geometric configuration precluding the accumulation of water on the outer surface.

6 The free length of expansion joints, when all fabrication work is completed, is to have ±1% of fabrication accuracy.

7 For bellows, the following items **(1)** through **(4)** are to be examined to verify that they have sufficient strength:

(1) Static strength of bellows against internal pressure

(2) The fatigue life and susceptibility to damage due to cumulative loads of bellows against internal pressure and movement. In this case, the susceptibility to damage due to fatigue load is to satisfy the following equation:

$$\sum \frac{n_i}{N_i} + \frac{10^3}{N_j} \leq C_w$$

where:

n_i : number of repetitions at each strain level during the service life of the ship (generally, the frequency of encounter with

waves is to be made 108 times)

N_i : number of repetitions up to failure at each strain level by the calculation equation as deemed appropriate by the Society (e.g. as given in -8(2)) or by $\varepsilon - N$ curves

N_j : number of repetitions up to failure due to strain by the loading / unloading cargoes

$C_w \leq 0.5$. However, the Society may approve a value higher than 0.5 depending on the test method and data used for plotting $\varepsilon - N$ curves. Even in such a case, C_w is not to exceed 1.0.

(3) Vibration-resisting strength when exposed to vibration

(4) The stability of bellows when subjected to internal pressure and deformation

8 The fatigue strength of bellows when internal pressure and axial movement are imposed on them may be evaluated by the following requirements (1) to (3):

(1) The axial surface strain of bellows due to internal pressure and axial movement are to be determined either by the following equation or actual measurements.

i) Single layer bellows and multiple layer bellows

$$\varepsilon = \frac{1.5t\delta}{W^{0.5} \cdot H^{1.5} \cdot 2n}$$

(strain due to axial movement)

The strain due to internal pressure is to be obtained by the calculation as deemed appropriate by the Society.

ii) Bellows with control ring

$$\varepsilon = 0.55 \cdot \frac{1.5t\delta}{W^{0.5} \cdot H^{1.5} \cdot 2n}$$

(strain due to axial movement when the bellows do not closely contact with the ring)

$$\varepsilon = 0.55 \cdot \frac{1.5t\delta}{(W - \gamma_0)^{0.5} \cdot (H - \gamma_0)^{0.5} \cdot 2n}$$

(strain due to axial movement when the bellows closely contact with the ring)

$$\varepsilon = \frac{P(H - \gamma_0)^2}{200 \cdot t^2 E}$$

(strain due to internal pressure)

where:

H : height of crown of bellows (mm)

t : thickness of one sheet of bellows (mm)

P : internal pressure (N/mm^2)

W : 1/2 of corrugation pitch of bellows (mm)

γ_0 : radius of crown of bellows (mm , dimension to half the plate thickness)

n : number of crowns of bellows

δ : equivalent total axial movement (mm)

E : Young's modulus (N/mm^2)

(2) On the basis of the strains obtained from the preceding (1), the fatigue life at each level of strain is to be determined using the following equation or $\varepsilon - N$ curves as deemed appropriate by the Society:

$$N = \frac{\left(\frac{C}{2}\right)^2}{(\varepsilon_t - 0.65\varepsilon_y)^2} \text{ At room temperature}$$

$$N = \frac{2.2\left(\frac{C}{2}\right)^2}{(\varepsilon_t - 0.65\varepsilon_y)^2} \text{ At low temperature } (-162^\circ\text{C})$$

where:

N : service life (number of loadings)

$$C = -\frac{1}{2} \log \left(\frac{100 - \phi}{100} \right)$$

where:

ϕ : contraction percentage

ε_t : half the amplitude of total strain

ε_y : strain at 0.2% proof strength at room temperature

ε'_y : strain at 0.2% proof strength at low temperature (-162°C)

(3) According to the preceding -7(2), evaluation is to be made on the susceptibility to damage due to cumulative loadings.

9 When subjected to vibratory loads, the resultant stress levels are to be less than the fatigue limit.

10 Where austenitic stainless steel is used as the material of bellows, design may be developed on the basis of the fatigue strength at room temperature.

11 Notwithstanding the preceding -7 and -8, bellows may be designed in accordance with *EJMA* standards or standards deemed appropriate by the Society.

7.3 Tests and Inspection

7.3.1 Type Test

Expansion joints, except for those provided in the piping with open pipe ends and installed in the cargo tanks, are to be subjected to the type test specified in 5.13.1-2, Part N of the Rules for each type. In addition, such expansion joints are to be approved for use in accordance with Chapter 2, Part 6 of the Guidance for the Approval and Type Approval of Materials and Equipment for Marine Use.

7.3.2 Product Test

1 All expansion joints are, at time of manufacture, to be subjected to the following tests and inspection:

(1) Material test:

To be in accordance with the requirements given in Table N6.4, Part N of the Rules and those specified in the relevant Chapters of Part K of the Rules. However, in case where the provisions in 7.2.1-2 are relevant, submission of mill sheets may only be required.

(2) Non-destructive tests for butt welded joints of bellows

100 % of the welded joints of the bellows with design temperatures not more than -10 °C that have inside diameters exceeding 75 mm or wall thicknesses exceeding 10 mm are to be subjected to non-destructive tests. However, for other cases, non-destructive tests are to be carried out at the discretion of the Society, but sampling tests are to be conducted for at least 10 % of the bellows.

(3) Hydraulic test:

Hydraulic test is to be conducted at a test pressure of 1.5 times the design pressure at room temperature.

(4) Airtightness test:

After completion of the test specified in the preceding (2), airtightness test is to be conducted by applying the design pressure.

2 All expansion joints are, after installed on board the ship, to be subjected to the tests specified in 5.13.2-3 and -5, Part N of the Rules.

Chapter 8 INERT GAS GENERATOR/STORAGE SYSTEM AND LIQUID NITROGEN TANK

8.1 General

8.1.1 Application

1 The requirements in this Chapter apply to inert gas generator/storage system and liquid nitrogen tanks in accordance with the requirements in **N9.5.1-1 of the Guidance**.

2 The requirements in this Chapter do not apply to the inert gas generating system utilizing the exhaust gas from boilers and the system of generating nitrogen gas by separating from the atmospheric air.

3 The air blowers, fuel oil pumps, heat exchangers, automatic combustion control systems and monitoring systems forming an inert gas generator and storage system are to conform to the requirements in this Chapter, and in addition, to the requirements in the relevant Chapters of **Part D** and **Part R of the Rules**.

8.1.2 Definitions

1 “Inert gas generator” means a mechanical plant exclusively used for the generation and supply of inert gas utilizing flue gas and includes air blower, combustion chamber, fuel oil pump and burner, gas cooler/scrubber, and automatic combustion control and monitoring equipment.

2 “Inert gas storage system” means a set of tank or bottles to store nitrogen gas or other inert gases at room temperature, including piping and automatic control valves necessary for discharging inert gas.

3 “Liquid nitrogen tank” means a set of tank to store nitrogen gas in the form of liquid nitrogen used for fire extinguishing or inerting, associated refrigerating equipment and cold preservation equipment, vapourizer and automatic control valves necessary for gas discharging.

8.2 Inert Gas Generators (*IGG*)

8.2.1 General

1 The inert gas generator (hereinafter as *IGG*) is to conform to the requirements in **9.5, Part N of the Rules**, and in addition, to the requirements in **8.2** of this Chapter.

2 The *IGG* and inert gas supply piping are to be so designed and arranged as not to allow inert gas to enter enclosed spaces or leaking thereto.

8.2.2 Construction and Installation

1 The combustion chamber of the *IGG* is to have such a construction capable of withstanding the contact with flames and ensuring complete burning in a stable manner.

2 The combustion chamber of *IGG* and associated equipment are to have such a construction as to withstand the discharge pressure of the combustion air supply blower or fan.

3 The materials of *IGG* and associated piping systems coming to contact with inert gas or its drains are to have sufficient corrosion-resistance by taking into account the type of fuel and the chemical composition of the flue gas.

4 Each *IGG* is to be provided with two or more fuel oil pumps. However, when ample spare parts sufficient to recondition the service pump and its driving equipment in case of failure are provided, provision of only one unit of fuel oil pump may be accepted.

5 For the possible event of non-compliance of the generated inert gas with the required composition of inert gas (e.g. at time of start-up) or for system failure, means are to be provided to discharge inert gas into the atmosphere.

6 *IGG* is to be so arranged that the pressure of inert gas will not exceed the set pressure of the pressure relief valve provided in the cargo containment system to which inert gas is supplied.

7 *IGG* is to be provided with equipment capable of effectively cooling the combustion chamber and exhaust gas and sufficiently discharging impurities in the exhaust gas.

8 The cooling water supply pump for the combustion chamber and exhaust gas is to be independent from other uses, and a

standby unit of the pump is to be provided. The standby unit may be used another purpose.

9 *IGG* is to be provided with two or more combustion air supply systems. However, if ample spare parts sufficient to allow easy reconditioning of the equipment in case of failure are provided, only one air supply system may be accepted.

10 When a separate inert gas blower fan is provided in addition to the combustion air supply system, the fan is to conform to the requirements in the preceding -9 correspondingly.

11 At the gas-safe area where the inert gas supply main penetrates through the foremost bulkhead, a control valve functioning according to the requirements in 8.2.4-3 is to be provided.

12 In case where only one burner is provided, one complete set of nozzles is to be placed on board the ship.

13 In case where two or more *IGGs* are provided, a stop valve is to be fitted to supply outlet of each system.

14 When displacement type blower fan is provided in the inert gas generator, a pressure relief valve is to be fitted to prevent excess pressure on the discharge side of the fan.

15 The two non-return devices as required by 35.2.2-3(1)(a), Part R of the Rules are to be fitted in the inert gas main. The non-return devices are to comply with 35.2.2-3(1)(b) and 35.2.2-3(1)(c), Part R of the Rules. However, where the connections to the cargo tanks, to the hold spaces or to cargo piping are not permanent, the non-return devices required by 35.2.2-3(1)(a), Part R of the Rules may be substituted by two non-return valves.

8.2.3 Drying System

1 The refrigerating equipment provided to remove moisture contents from the inert gas is to conform to the requirements in Chapter 17, Part D of the Rules.

2 The drying system of chemical reaction type provided to remove moisture contents from the inert gas is to be at least two units of which one is to be used for ordinary service and the other one is to be for regeneration, and means are to be provided so that they can be transferred automatically at time intervals as deemed appropriate by the Society.

8.2.4 Control, Alarm and Safety System

1 *IGG* is to be provided with safety system capable of stopping the supply of the fuel to burner in the following cases (1) through (5):

- (1) Loss of fire
- (2) Ignition failure
- (3) Interruption of combustion air supply
- (4) High inert gas temperature
- (5) Low water level in the cooling system specified in the preceding 8.2.2-7 or excessively low cooling water supply pressure or flow rate.

2 In addition to those provided in accordance with the preceding -1, *IGG* is to be provided with the safety systems as given in the following (1) to (3):

- (1) Prepurging system to prevent explosion in the combustion chamber
- (2) In the case of direct ignition system, a device to prevent the fuel oil valve from assuming the open position before ignition spark is to be provided.
- (3) In the case of automatic ignition system, a device ensuring that the ignition period (the period from opening of the fuel oil valve to the closure of the valve due to ignition failure) is not to exceed 10 sec.

3 The control valve specified in the preceding 8.2.2-11 is to be so arranged that it automatically closes in the following cases (1) through (10):

- (1) Abnormal fall of supply pressure or flow rate of cooling water to the refrigerating equipment specified in the preceding 8.2.2-7
- (2) Abnormal rise of water level in the cooling system specified in the preceding 8.2.2-7
- (3) High inert gas temperature
- (4) Interruption of combustion air supply
- (5) Fall of the pressure in the inert gas supply main below 100 mmAq
- (6) High inert gas supply main pressure
- (7) High inert gas oxygen concentration exceeding 5% in volume
- (8) When dew point of the inert gas exceeds the preset value

(9) Power failure of the valve driving mechanism

(10) Others as deemed necessary by the Society

4 The cooling pump specified in the preceding 8.2.2-7 is to be such that it automatically comes to stop in the case specified in the preceding -3(2).

5 *IGG* is to be provided with visible and audible alarm systems that issue alarms in the following cases (1) through (4):

(1) In cases specified in the preceding -1 and -3

(2) Low fuel oil supply pressure to the burner

(3) Loss of power supply to *IGG*

(4) Loss of control power to *IGG*

6 An automatic control capable of producing suitable inert gas under all service conditions is to be fitted to *IGG*.

7 Automatic shutdown of the inert gas system and its components parts are to be arranged on predetermined limits being reached, taking into account the provisions of paragraphs 35.2.2-4 and 35.2.3(2), Part R of the Rules.

8 The system is to be designed to ensure that if the oxygen content exceeds 5% by volume, the inert gas is to be automatically vented to atmosphere.

9 Instrumentation is to be fitted for continuously indicating and permanently recording the followings, when inert gas is being supplied.

(1) Pressure of the inert gas mains forward of the non-return devices

(2) Oxygen content of the inert gas.

10 The indicating and recording devices are to be placed in the cargo control room where provided. But where no cargo control room is provided, they are to be placed in a position easily accessible to the officer in charge of cargo operations.

11 Audible and visual alarms are to be provided, based on the system designed, to indicate failure of the power supply to the indicating devices as referred to in -9 above.

12 Two oxygen sensors are to be positioned at appropriate locations in the space or spaces containing the inert gas system. If the oxygen level falls below 19%, these sensors are to be trigger alarms, which are to be both visible and audible inside and outside the space or spaces and are to be placed in such a position that they are immediately received by responsible members of the crew.

8.2.5 Tests and Inspection

1 In general, inert gas generating system, before being installed on board the ship, is to be made to a test run at the manufacturing plant.

2 Inert gas generating system, after being installed in the ship, is to be subjected to the following tests (1) through (4):

(1) Airtightness test

(2) Performance test of the control system, safety system and alarm system

(3) Verification test of the rate of inert gas generation

(4) Combustion operation test

8.3 Inert Gas Storage System

8.3.1 Construction and Piping

1 Bottles with an internal volume of not more than 500 l used for the storage of nitrogen gas or other inert gases at room temperature and high pressure may be to the requirements of the national standards.

2 Bottles with an internal volume of more than 500 l used for the storage of nitrogen gas or other inert gases at room temperature and high pressure are to conform to the requirements in Chapter 10, Part D of the Rules.

3 Those gas piping systems for the bottles to store nitrogen gas or other inert gases are to be correspondingly in accordance with the requirements specified in Chapter 12, Part D of the Rules relating to carbon dioxide gas depending on the design pressure.

4 The equipment for controlling the inert gas from the inert gas storage system is to be to the satisfaction of the Society depending on the inert gas storage system and the construction of the tanks or compartments to be inerted.

8.4 Liquid Nitrogen Tanks

8.4.1 Construction and Materials

The construction and materials of the tanks for the storage of liquid nitrogen are to conform to the following requirements (1) to (3):

- (1) The construction, strength, tests and inspection of the inner shell of the liquid nitrogen tank are to conform to the requirements for type C independent tank in **Chapter 4** and **Chapter 6, Part N of the Rules** correspondingly.
- (2) The construction, strength, tests and inspection of the outer shell of the liquid nitrogen tank are to be to the satisfaction of the Society depending on the degree of vacuum in the space between the inner and outer shells and inner tank supporting systems.
- (3) The materials used for the liquid nitrogen tank are to conform to the requirements given in **Table N6.1** to **Table N6.3, in Part N of the Rules** depending on the design temperature.

8.4.2 Relief Valves

1 Liquid nitrogen tanks are to be provided with two or more relief valves of nearly the same capacity. However, for tanks with a capacity not more than 20 m³, only one relief valve may be provided.

2 The set pressure and capacity of the relief valves specified in the preceding -1 are to conform to the requirements in **8.2** and **8.5, Part N of the Rules** correspondingly.

8.4.3 Insulation

1 The insulation materials are to conform to the requirements in **4.19.3, Part N of the Rules**.

2 The construction and arrangement of vacuum pump and other items of equipment necessary for the maintenance of vacuum in the space between the inner and outer shells are to be to the satisfaction of the Society.

3 When part or whole of the insulation materials are of the inner shell supporting construction of tanks, the Society may require tests in addition to those specified in the requirements in the preceding -1.

8.4.4 Filling Limits for Liquid Nitrogen

The filling volume of tank for liquid nitrogen is not to exceed the filling limits determined according to the requirements in **15.3 and 15.4, Part N of the Rules**, correspondingly.

8.4.5 Vapourizers

1 The construction and arrangement of vapourizers are to be to the satisfaction of the Society.

2 For vapourizers, control systems for supply nitrogen temperature, pressure and flow rate as deemed appropriate by the Society depending on the type and construction system of the compartment or space to which the vapourized nitrogen is supplied are to be provided.

8.4.6 Protections of Hull

Suitable protective means are to be provided to prevent the hull structures in the vicinity of the tank from being exposed to the liquid nitrogen in the possible event of its leakage.

8.4.7 Instrumentation

1 One or more level gauging devices complying with the requirements in **Chapter 9** are to be provided in tanks.

2 Pressure gauges are to be provided in the gaseous phase of the tank. The pressure is, as a rule, to be displayed in the cargo control station, and high pressure alarm is to be made available.

3 Means are to be provided to take measurements on the liquid temperatures at spaces near the top and bottom of the tank.

8.4.8 Low Temperature Tests, etc.

The liquid nitrogen tank and accessory equipment and installations are, after completion, to be subjected to the low temperature test using liquid nitrogen. In case where thermal insulation by means of vacuum insulation is employed, an additional test to verify the vacuum insulation performance is to be conducted in parallel with the low temperature test or separately.

8.5 Tests and Inspection

8.5.1 Tests and Inspection

The inert gas storage system is to be subjected to the tests specified in **8.3.1-1** and **-2, 8.4.1(1)** and **(2)**, and **8.4.8**, and in addition to the requirements in **8.2.5** in a corresponding manner.

Chapter 9 LEVEL INDICATORS AND LEVEL ALARMS

9.1 General

9.1.1 Application

1 The level gauges to measure the liquid levels of the cargo in cargo containment system and process pressure vessels and levels in liquid nitrogen tank are to conform to the requirements in [Chapter 4, Part 7 of the Guidance for the Approval and Type Approval of Materials and Equipment for Marine Use](#).

2 The level alarm system that detects one point or more of the specific cargo liquid level in cargo containment system and process pressure vessel is to conform to the requirements in [Chapter 4, Part 7 of the Guidance for the Approval and Type Approval of Materials and Equipment for Marine Use](#) in a corresponding manner.

Chapter 10 PRESSURE GAUGES

10.1 General

10.1.1 Application

The requirements in this Chapter apply to the systems to measure the cargo liquid or vapour pressure or atmospheric pressure in the cargo containment systems, process pressure vessels in accordance with the requirements in **N13.1.3(1)(c)** and **N13.4.2(3) of the Guidance**.

10.2 Bourdon Tube Pressure Gauges

10.2.1 Materials, Construction and Performance

1 The materials of the Bourdon tube pressure gauges possibly coming to contact with the cargo liquid or vapour is to be compliance with the properties of the cargo. For special cargoes, care is to be taken for the fact that use of certain materials is prohibited according to the requirements in **Chapter 17, Part N of the Rules**.

2 The material of the part of the Bourdon tube pressure gauges exposed to low temperature is to be suitable for the service temperature and other service conditions.

3 The construction, materials performance and testing procedure are to conform to the requirements in *JIS B 7505* Bourdon Tube Pressure Gauges or equivalent standards.

4 The error in the indication of the Bourdon tube pressure gauges is to be within $\pm 1.0\%$ of the maximum measuring range (where vacuum is dealt with by the same pressure gauge, the sum of the measuring range for the vacuum part).

5 The Bourdon tube pressure gauges are to be so arranged as not to undergo the effects of waves or other mechanical external loads, and to be provided with protective covering as necessary.

10.3 Pressure Gauges other than Bourdon Tube Pressure Gauges

10.3.1 Materials, Construction and Performance

1 The parts of pressure sensors possibly coming to contact with the cargo liquid or vapour and those exposed to low temperature are to be in accordance with the requirements in **10.2.1-1** and **-2** correspondingly.

2 The pressure sensors are, as a rule, to be verified through the following tests **(1)** through **(6)** that they are in good service condition. However, omission of part of the testing requirements may be accepted depending on the type of sensors and place of installation.

(1) Calibration test:

Apply and raise pressure from zero to the maximum pressure, hold it for 30 *minutes*, thence reduce the pressure down to zero, read off pressure indications at the maximum pressure and three or more points of graduations as appropriate in these pressure increasing and decreasing processes whereby it is to be verified that the error in indication falls within $\pm 1.0\%$ of the maximum pressure measuring range (where the vacuum part is dealt with by the same pressure gauges, the sum of the vacuum part and the maximum pressure).

(2) Static pressure test:

Read off the indication error ΔP_1 at the maximum pressure and the indication error ΔP_2 when the maximum pressure is applied after keeping the pressure in a range from 90 to 100% of the maximum pressure for a continuous period of 5 *hours*, and the compliance with the following requirements is to be verified:

(a) ΔP_1 and ΔP_2 are to be within the allowable limit given in the preceding **(1)**.

(b) The absolute value of the difference between ΔP_1 and ΔP_2 is to be within the absolute value of the allowable limit given in the preceding **(1)**.

(c) There is to be no leakage.

(3) Impact test:

Impact test is, as a rule, to be conducted by the method required in *JIS C 0912 Impact Test Method for Small Electric Appliances* or by equivalent method, impact in a magnitude of $50G$ ($490 m/s^2$) is to be applied twice in two axial directions including the longitudinal direction respectively whereby it is to be verified that there are no such abnormalities as parting of wire, short-circuit or loose connections.

(4) Vibration-proof test:

For the pressure measuring system with approximately half the maximum pressure being applied, vertical sinusoidal vibration with a frequency of $1,500 \text{ cycles/min.}$ and approximate amplitude of $\pm 0.3mm$ is to be applied for 24 hours , it is to pass the indication test given in the preceding (1) and there are to be no such abnormalities as loose screws, pins and other functional faults. Further, the amplitude of pressure indication during the test is to be not more than 3 times the absolute value of allowable error.

(5) Other test as deemed necessary by the Society.

(6) The test conditions are to be in accordance with the following:

- (a) The test is, as a rule, to be conducted at the *Class 3 Standard Temperature Condition* ($20 \pm 5^\circ\text{C}$) specified in *JIS Z 8703* ($20 \pm 5^\circ\text{C}$) or equivalent condition.
- (b) Test of a pressure gauges provided with zero adjusting device is to be conducted after making zero adjustment.
- (c) If there is a difference between the pressure applied to the pressure measuring system and the pressure to be measured, correction is to be made only for the difference in the test.
- (d) The calibration test of the pressure gauge is, as a rule, to be conducted by the standard weight type pressure gauge or standard liquid column type pressure gauge.
- (e) In the calibration test of vacuum gauge and compound gauge where the test pressure does not reach the maximum vacuum graduation due to low atmospheric pressure, the test is to be conducted at a pressure as close to the said graduation as practicable.
- (f) When the test period exceeds 8 hours , the period may be divided into 8-hours parts.

3 For pressure gauges other than the Bourdon tube pressure gauges, the requirements in **10.2.1-5** are to apply correspondingly.

10.4 Pressure Gauges for Low Temperature Services

10.4.1 General

The pressure gauges used at a temperature lower than -55°C are, in addition to the tests specified in **10.2.1-2** and **10.3.1-2**, to be applied with approximately $2/3$ of the maximum measuring pressure at the service temperature, left for approximately 30 minutes , then the calibration test is to be conducted at this temperature and to pass the requirement. However, the maximum testing pressure at the calibration test may be made approximately $2/3$ of the maximum test pressure.

10.5 Electrical Installations

10.5.1 General

1 The electrical installations used for the pressure gauges are to be in accordance with the requirements in the relevant Chapter of **Part H** and **Part N of the Rules**.

2 The electrical installations of pressure gauges are to be subjected to the tests corresponding to the Environmental Test in accordance with the requirements in **Chapter 1, Part 7 of the Guidance for the Approval and Type Approval of Materials and Equipment for Marine Use** and to pass the testing requirements.

10.6 Tests and Inspection

10.6.1 General

1 Before being installed in ships, the documents to prove that the system of the same or similar type of the pressure gauge complies with the performance requirements specified in **10.2.1-2** or **10.3.1-2**, **10.4.1** and **10.5.1-2** are to be submitted to obtain

verification by the Society. When the Society deems necessary, verification test on these performances in the attendance of the Surveyor may be requested.

2 Except for those specified in the requirements in **Part H of the Rules**, the tests and inspection of pressure gauges at the manufacturing plant may be substituted by the inspection carried out by the special organizations, bodies or manufacturers.

Chapter 11 TEMPERATURE INDICATING DEVICES

11.1 General

11.1.1 Application

The requirements in this Chapter apply to the measuring and indicating devices for the temperatures of cargo liquid or vapour in the cargo containment systems and process pressure vessels in accordance with the requirements in **N13.1.3(1)(c)** and **N13.5.1 of the Guidance**. However, glass bar thermometers may be excluded.

11.2 Materials

11.2.1 General

1 The materials of the parts of temperature indicating devices which are likely to come into contact with the cargo liquid or vapour are to be in compliance with the properties of the cargo. For special cargoes, care is to be taken for the fact that use of certain materials is prohibited according to the requirements in **Chapter 17, Part N of the Rules**.

2 The materials of the part of temperature indicating devices exposed to low temperature are to be in compliance with the service temperature and other service conditions.

11.3 Temperature Measuring Sensors

11.3.1 General

1 The thermocouples used for temperature measurement are to conform to the requirements in *JIS C 1602 Thermocouples* or those of the equivalent standards.

2 The resistance bulbs used in temperature measurements are to conform to the requirements in *JIS C 1604 Resistance Bulbs*, *JIS F 9703 Marine Platinum Resistance Bulbs* or those of the equivalent standards.

3 The thermistor bulbs used in temperature measurements are to conform to the requirements in *JIS C 1611 Thermistor Bulbs* or those of the equivalent standards.

4 The pressure thermometers used in temperature measurements are to conform to the requirements in *JIS B 7549 "Liquid Filled Pressure Type Temperature Indicating Devices"* or other standards deemed appropriate by the Society.

5 The temperature measuring sensors other than those specified in the preceding -1 through -4 are to have been approved by the tests of the organizations as deemed appropriate by the Society or the tests as deemed necessary by the Society depending on the operating principle and construction and verified that they have satisfactory performance.

11.4 Electrical Installations

11.4.1 General

1 The electrical installations used for temperature indicating devices are to be in accordance with the requirements in **Part H** and **Part N of the Rules**.

2 The electrical installations of the temperature indicating devices are to be subjected to the environmental test specified in the requirements in **Chapter 1, Part 7 of the Guidance for the Approval and Type Approval of Materials and Equipment for Marine Use** and to pass the testing requirements.

11.5 Sensor Protectors

11.5.1 General

1 In case where sensors for temperature measurements are contained in airtight protective sleeves, the construction of the

protective sleeves exposed to the internal pressure of tanks is to sufficiently withstand the maximum internal pressure of the tank acting as the external pressure on the protective sleeve.

2 The materials of the protective sleeves referred to in the preceding -1 are to conform to the requirements in 11.2.1-1 correspondingly.

3 The protective sleeves referred to in the preceding -1 are to be so supported that they sufficiently withstand the loads imposed in association with ship motions and movements of the cargo.

11.6 Tests and Inspection

11.6.1 General

1 Before being installed in ships, the documents to prove that the system of the same or similar type of the temperature indicating devices comply with the performance requirements specified in 11.3 and 11.4.1-2 are to be submitted to obtain verification by the Society. When the Society deems necessary, verification test on these performances in the attendance of the Surveyor may be requested.

2 Except for those specified in the requirements in Part H of the Rules, the tests and inspection of temperature indicating devices at the manufacturing plant may be substituted by the inspection carried out by the special organizations, bodies or manufacturers.

3 The protective sleeves specified in the preceding 11.5 are to have been fitted at the time of pressure test, after manufacture, as deemed appropriate by the Society or hydraulic test of the cargo tank whereby it is to be verified that they are free from abnormalities.

4 The welds of the protective sleeves specified in the preceding 11.5 are to be subjected correspondingly to non-destructive tests required for the cargo tanks in which they are provided.

Chapter 12 INSULATION MATERIALS

12.1 General

12.1.1 Application

1 The requirements in this Chapter apply to the insulation materials used in the cargo containment systems in accordance with the requirements in **N4.19.3-3 of the Guidance**.

2 For the insulation materials applied to the cargo piping systems, the requirements in this Chapter are to apply correspondingly.

12.2 Insulation Application Procedures

12.2.1 General

1 For the approval application of insulation materials, in addition to those general procedures, all precautions at time of application and test items are to be specified.

2 In the application of insulation materials in each ship, detailed application procedures for each ship are to be submitted to the Society for approval.

12.3 Tests and Inspection

12.3.1 Tests and Inspection

By using the test specimens taken with due regard paid to the actual application procedures, tests to verify the test items given in **Table 12.1** are to be conducted by the test procedure as specified in the same Table or suitable other procedure as approved by the Society, and it is to be verified that the specifications and physical properties established by the manufacturer are complied with.

Table 12.1 Test Items for Insulation Materials

No.	Test item	Procedure of test
1	Compatibility with the cargo	Tensile, compression, shearing, bending test after dipping in the cargo (<i>DIN 53428</i>)
2	Solubility in the cargo	Changes in the size and weight of test specimen before and after dipping in the cargo (<i>DIN 53428</i>)
3	Absorption of the cargo	Comparison of weight of test specimen or test of water absorbing properties before and after dipping in the cargo (<i>DIN 53428</i>)
4	Shrinkage	<i>ISO 2796, ASTM D 2126</i>
5	Aging	—
6	Closed cell content	<i>ISO 4590, ASTM D 6226</i>
7	Density	<i>ISO 845, ASTM D 1622</i>
8	Mechanical properties • Bending strength • Compression strength • Tensile strength • Shearing strength	<i>ISO 1209, ASTM C 203, ASTM D790</i> <i>ASTM D 695, ASTM D 1621</i> <i>ISO 1926, EN 1607, ASTM D 638, ASTM D 1623</i> <i>ISO 1922, ASTM C 273</i>
9	Thermal expansion	<i>ASTM D 696, ASTM E 831</i>
10	Abrasion	—
11	Cohesion	<i>ASTM D 1623</i>
12	Thermal conductivity	<i>ISO 8302, JIS A 1412, ASTM C 177, ASTM C 518</i>
13	Resistance to vibration	<i>ISO 10055</i>
14	Resistance to fire and flame spread	<i>JIS A 9511, DIN 4102</i>
15	Resistance to fatigue failure and crack propagation	—

Note:

Of those test items given above, necessary items are to be selected and tested depending on the insulation system. However, at least, the test items 4, 6 (for independent foam material only), 7, 8, 12 and 14 are to be dealt with for all the insulation systems.

See [N4.19.3-4](#) to [-7 of the Guidance](#).

Chapter 13 (Deleted)

(Deleted)

Chapter 14 OXYGEN CONTENT MEASURING EQUIPMENT

14.1 General

14.1.1 Application

The requirements in this Chapter apply to the fixed type and portable type oxygen content measuring equipment used to verify that the oxygen content is less than the controlled value in accordance with the requirements in **N13.6.20 of the Guidance**.

14.2 Materials, Construction and Performance

14.2.1 Materials

The materials of the measuring equipment are to be corrosion resistant or to be subjected to corrosion-resisting processing. Particularly, those parts liable to be exposed to cargo vapour are to be suitable for use in the atmosphere of such vapours.

14.2.2 Construction

1 The measuring equipment is to be provided with an indication device capable of clearly showing that the equipment is in service when it is in operation.

2 The measuring equipment, which is used in a flammable atmosphere, is to have necessary explosion proof performance.

3 In the measuring equipment provided with a suction pump, the capacity of such a pump is to be sufficient to draw detecting air in a volume sufficient for detection and measurement.

4 Sampling heads are to be arranged by taking into account the properties of the oxygen.

5 The sampling lines from each sampling head to the measuring device are to be independent with each other.

6 The measuring equipment is to be provided with a function to display location of the sampling head under detection and to identify the alarm point when alarm is issued.

7 For the measuring equipment serving to detect one sampling point and portable type oxygen content measuring equipment, the requirements in the preceding -5 and -6 do not apply.

14.2.3 Oxygen Content Indicating Part

The equipment is to be capable of indicating oxygen content in percent volume.

14.2.4 Alarm Systems

1 The oxygen content measuring equipment is to be provided with audible and visible alarm systems capable of issuing alarms when the setting value is exceeded.

2 The setting values of such alarms are to be changeable as necessary, and they are to be readily recognizable.

3 Except specifically required, the alarm set point is to be not more than 5% (volume).

4 The alarm systems are to be in accordance with the following requirements (1) through (4):

(1) Alarms are to continue until resetting is caused even when the oxygen concentration assumes a value lower than the setting value of the alarm.

(2) Audible alarms are to be arranged so that they can be temporary stopped.

(3) Alarms are to resume when the gas concentration of other sampling point exceed the setting value of the alarm even when audible alarms are temporarily stopped.

(4) The alarm system is to be capable of issuing alarm in the event of a system failure such as the loss of power supply and disconnecting of wiring. The visible alarm issued in such an event is to be capable of being distinguished from those issued in the cases given in the preceding -1.

5 For portable system, alarm function may not be provided, but means are to be provided to verify the effectiveness of the batteries.

14.2.5 Performance

1 The measuring equipment is to be capable of functioning in the environmental conditions, including varying temperature and humidity, vibrations and ship motion generally conceivable on board ships.

2 For the measuring equipment of suction type, no significant effects are to be given on the indicating accuracy and alarming accuracy, or means are to be provided to compensate or correct these differences in temperature or humidity even when differences in temperature or humidity are caused between the sampling heads and measuring equipment.

3 The measuring equipment is to be capable of becoming ready for detection with least possible delay time when the power supply switch is turned on.

4 The equipment is to be capable of indicating oxygen content with an error within $\pm 0.7\%$ (volume). However, where detection of oxygen content less than 5% is required, the performance is to be such that the error is within $\pm 20\%$ of the maximum allowable oxygen content.

5 The equipment is to be capable of issuing an alarm with an error within $\pm 20\%$ of the alarm set value.

14.3 Marking and Maintenance/Inspection

14.3.1 General

1 The measuring equipment is to be marked with the following items (1) through (5):

- (1) Name of manufacturer, date of manufacture and type number
- (2) In the case of explosion-proof construction, the type and the explosion-proof capability
- (3) The type of detectable gas and measuring range
- (4) Rated voltage and frequency (or type and number of batteries)
- (5) Alarm set values

2 The measuring equipment is to be provided with instruction manuals and where necessary, correction tables or equations for temperature corrections.

3 The details of periodical inspection and maintenance checks necessary for the maintenance of the performance of the measuring equipment are to be noted in the instruction manual. Further, record books of periodical inspection and maintenance checks, also necessary test gases and associated fittings are to be provided.

14.4 Tests and Inspection

14.4.1 General

The portable oxygen content measuring equipment is to pass the tests specified in 14.4.4 for each type.

14.4.2 Approval Tests for Use

The fixed type oxygen content measuring equipment is to pass the tests specified in 14.4.4 for each type. However, when tests are conducted for individual equipment, no approval may be required for its use.

14.4.3 Shipboard Inspection

In the case of the fixed type oxygen content measuring equipment, operating test is to be conducted after completion of all the piping systems and accessories on board the ship. In this time, at least issuing alarm is to be verified to draw the test gas from each sampling headers.

14.4.4 Test Standards

1 Visual inspection

In visual inspection, it is to be verified that the construction, materials and dimensions are as specified on the drawings and specifications.

2 Performance test

On all the vapours to be detected, the following tests (1) through (7) are to be conducted. The concentration of the oxygen used in the test is to be analysed by gas chromatography or similar other equally effective method.

(1) Verification of indicating accuracy

It is to be verified that the indicating accuracy at 5% of oxygen concentration conforms to that stated on the specification.

(2) Verification of alarming accuracy

By gradually raising the concentration of a vapour, it is to be verified that the concentration when alarm is issued is within the allowable range of error.

(3) Verification of reproducibility

Tests identical with the preceding (1) and (2) are to be conducted with drawing of the gas and nitrogen repeated alternately at proper intervals. In the case of the portable gas detection equipment, making and breaking of power supply are to be included in the test.

(4) Verification of response performance

By introducing the test gas, the period before the indication of gas concentration reaches 90% of the value of final indication is to be measured. Further, a test gas with a concentration corresponding to 110% of the alarm set value is to be induced whereby the period before issuing an alarm is to be measured. In the case of the fitted type, the period is to be not more than 30 *seconds*; in the case of the portable types, the period is to be not more than 20 *seconds*.

(5) Verification of operation of alarm system

It is to be verified that the alarm system functions properly for each cause of alarm.

(6) Verification of initiation of operation

The test specified in the preceding (2) is to be conducted after an elapse of the period given in the specification on the measuring equipment which had been placed in normal operation once, then break the power supply and make it after it was left for 24 *hours*.

(7) Verification of suction pump capacity

It is to be verified that the capacity of the suction pump satisfied the specification.

3 Environmental Tests

(1) The measuring equipment is to be subjected to the tests specified in the preceding -2(1) and (2) under the environment given in the following (a) through (d) and pass the testing requirements. In the case of the fixed type oxygen content measuring equipment, (b) of the following tests may be omitted:

- (a) Psychrometric test
- (b) Drop test
- (c) Vibration test
- (d) Inclining test
- (e) Power supply variation test

(2) The testing procedures of each test are to be in accordance with the following requirements:

(a) Psychrometric test

The measuring equipment is to be placed in a thermostatic tank of which environmental conditions are adjusted to 90-95% of humidity and $50 \pm 2^\circ\text{C}$ of temperature, and then left for 8 *hours*. The temperature of the thermostatic tank is to be adjusted to $-10 \pm 2^\circ\text{C}$ with the humidity left unadjusted, and then left for another 8 *hours*. This cycle is to be repeated 3 times.

(b) Drop test

With the outer protective casing of the gas detection equipment removed (excluding those used with the case fitted), the test object is to be dropped freely in various directions excluding the faces incorporating lenses and glasses onto the floor laid with a 50 *mm* thick sheet of cedar on top from a height of 100 *mm*.

(c) Vibration test

The gas detection equipment is to be fixed in the vibration testing machine and vibrations with a frequency in a range from 5 to 16 *Hz* (double amplitude: 2 *mm*) and another frequency in a range from 16 to 60 *Hz* (acceleration: 1*G*) are to be applied in the vertical, horizontal transverse and longitudinal directions for 30 *minutes* in each direction (tests are to be progressed from low vibration to high vibration at 10 *minutes* cycle and again from low to high). However, for the fixed type gas detection equipment, the requirements in *JIS F 8076* "Electrical installation in ships-Part 504: Special feature-Control and instrumentation" or in equivalent standards.

(d) Inclining test

The requirements in *JIS F 8076* or in equivalent standards are to be complied with.

(e) Power supply variation test

The requirements in *JIS F 8076* or in equivalent standards are to be complied with.

4 Tests for explosion-proof performance

The requirements in **H2.16** are to be complied with.

Chapter 15 HUMIDITY MEASURING EQUIPMENT

15.1 General

15.1.1 Application

The requirements in this Chapter apply to the fixed type and portable type humidity measuring equipment used for the purpose of verifying that the humidity is less than the controlled value in accordance with the requirements in **N9.2.2 of the Guidance**.

15.2 Materials, Construction and Performance

15.2.1 Materials

The requirements in the preceding **14.2.1** are to be complied with.

15.2.2 Construction

The requirements in the preceding **14.2.2** are to be complied with.

15.2.3 Temperature Indicating Part

The equipment is to be capable of indicating the humidity in terms of dew point (°C) or suitable other means. In the equipment other than dew point indicating system, a table for conversion into dew point equivalent is to be provided.

15.2.4 Alarm Systems

1 The equipment is to be capable of issuing alarm or indicating a readily identifiable indication even in the event of loss of power supply, parting of wiring or malfunction of the measuring equipment.

2 The equipment is to be capable of issuing alarm when the humidity (or dew point) exceeds the preset value.

15.2.5 Performance

1 The requirements in the preceding **14.2.5-1 to -3** are to be complied with. The terms “oxygen” and “oxygen concentration” are to be construed as “air (when the humidity is controlled)” and “humidity” respectively (hereinafter the same).

2 The equipment is to be capable of indicating dew point with an error corresponding to $\pm 5^{\circ}\text{C}$ with an alarm issued.

15.3 Marking and Maintenance/Inspection

15.3.1 General

The requirements in the preceding **14.3** are to be complied with correspondingly.

15.4 Tests and Inspection

15.4.1 General

The requirements in the preceding **14.4** are to be complied with correspondingly.

Chapter 16 (Deleted)

(Deleted)

Chapter 17 WATER SPRAY SYSTEM

17.1 General

17.1.1 Application

The requirements in this Chapter apply to the water spray system in accordance with the requirements in [N11.3.2 of the Guidance](#).

17.2 Submission of Plans and Documents

17.2.1 Plans and Documents for Reference

In addition to those specified in the preceding [1.2\(2\)](#), the following (1) and (2) are to be submitted:

- (1) Data on the capacity of nozzle
- (2) General piping and installation procedures

17.3 Materials, Construction and Performance

17.3.1 Materials

The nozzles, pipes and stop valves forming the equipment are to be made of the corrosion resistant and fire resistant materials.

17.3.2 Construction

The water spray angle of the water spray system is to be 120° or below as standard.

17.3.3 Performance

- 1 The water spraying capacity of the system is to satisfy the requirements in [11.3.2, Part N of the Rules](#). Further, the minimum required pressure is to be noted in the specification.
- 2 The capacity of the pump used for water spraying is to be determined on the basis of the quantity of sprayed water from each nozzle at the assumed working pressure.

17.4 Marking, etc.

17.4.1 Specifications and Marking

Water spraying capacity, working pressure (maximum and minimum), installed height (maximum and minimum), intervals of installation and where necessary, the water spraying direction are to be specified in the specification or work procedure.

17.5 Tests and Inspection

17.5.1 Approval Tests for Nozzles

1 Salt water spraying test

To be in accordance with the requirements in *JIS Z 2371* or other standard as deemed appropriate by the Society. However, when the materials are considered to be sufficiently corrosion-resistant, the test may be omitted.

2 Fire resisting test

The nozzle is to be heated in a test oven at a temperature of 704°C or more for 10 *minutes* or more and then submerged in water where no abnormality is to be caused.

3 Pressure test

Water is to be sprayed at a pressure twice the maximum working pressure, and it is to be verified that no abnormality is caused.

4 Quantity of water spray test

Water is to be sprayed at the maximum and minimum working pressures whereby it is to be verified that the total quantity of water

spray is as given in the specification.

5 Water spray distribution test

According to the working procedure (at the maximum and minimum heights of installation, in the direction of spray) described in the specification, the maximum and minimum working pressures are to be applied to the installed nozzle to cause water spray. In this case, the amount of water to all areas within the effective water spray surface described in the specification is as given in the specification.

17.5.2 Shipboard Inspection

With all fittings attached, actual water spray is to be caused and the effectiveness is to be verified. Where necessary, pressure is to be measured with a pressure gauge.

Chapter 18 FIXED NITROGEN GAS FIRE-EXTINGUISHING SYSTEM

18.1 General

18.1.1 Application

The requirements in this Chapter apply to the fixed nitrogen gas fire-extinguishing systems in accordance with the requirements in [N11.5.2 of the Guidance](#).

18.2 Submission of Plans and Documents

18.2.1 Plans and Documents for Reference

In addition to those required in the preceding [1.2\(2\)](#), the following materials **(1)** to **(3)** are to be submitted:

- (1) Arrangement plan of the system
- (2) Calculation sheet of the necessary nitrogen gas storage
- (3) General instruction manual including descriptions of periodical inspection, maintenance inspection

18.3 Materials, Construction and Performance

18.3.1 Materials

The materials of containers, pipes, valves and injection heads forming the equipment are to be corrosion-resistant and fire-resistant.

18.3.2 Construction

- 1 The containers to store nitrogen gas at room temperature are to conform to the requirements in [8.3](#) correspondingly. Further, means are to be provided to verify pressure and charged quantity.
- 2 The liquid nitrogen tank to store nitrogen gas at low temperature is to conform to the requirements in [8.4](#) correspondingly.
- 3 In case where nitrogen gas is supplied from the shipboard inert gas generating system, the requirements specified in the following [18.3.3-1](#) to [-3](#) are to be complied with.
- 4 The storage and generating of nitrogen gas are to be arranged in safe areas other than the cargo machinery spaces.
- 5 The equipment is to conform to the requirements in [1.3.1](#), [10.4.1-3](#), [10.4.2](#) and [25.2.1, Part R of the Rules](#).

18.3.3 Performance

- 1 The required amount of nitrogen gas stored for use in fire fighting operation is to be capable of discharging free gas in the volume greater than that obtained from the following equation:

$$\frac{21 - O_2}{21} \times N \times V$$

where:

O_2 : critical oxygen content (%volume) for each cargo vapour when nitrogen gas is sealed in. For reference, the critical oxygen contents of major flammable products are given in [Table 18.1](#).

V : total volume of cargo compressor room or cargo pump room

N : 1.4. However, 1.3 may be used when O_2 exceeds 11%.

- 2 The oxygen content in the nitrogen used is to be controlled to 0.1% (volume) or less.
- 3 The storage container and piping of the nitrogen gas fire-extinguishing system are to be capable of discharging a volume corresponding to 85% of the volume specified in the preceding [-1](#) within 2 minutes.

Table 18.1 Critical Oxygen Content (vol.%)

Flammable produce	Critical oxygen content	Flammable product	Critical oxygen content
Butadiene	10.4	Ethane	11.0
Butane	12.0	Ethylene	10.0
Propane	11.4	Methane	12.1
Butylene	11.5	Propylene	11.5

18.4 Marking and Maintenance/Inspection

18.4.1 General

- 1 An instruction manual including the descriptions of maintenance and inspection is to be furnished on board the ship.
- 2 Necessary warning signs are to be posted in the cargo machinery spaces, nitrogen gas storage areas and equipment operating areas.

18.5 Tests and Inspection

18.5.1 Shipboard Inspection

After installation of the system on board the ship, the following tests **(1)** to **(3)** are to be conducted:

- (1) Pressure test of piping system
- (2) Air blowing test of piping system
- (3) Operating test (including the function of alarm systems)

Chapter 19 MECHANICAL VENTILATION SYSTEM

19.1 General

19.1.1 Application

The requirements in this Chapter apply to the fixed or portable mechanical ventilation systems provided in the gas-dangerous areas and cargo motor rooms in accordance with the requirements in **N12.1.7** and **N12.2.1 of the Guidance**.

19.2 Materials, Construction and Strength

19.2.1 Materials

The materials of component parts are to be corrosion-resistant, and those of parts liable to be exposed to the cargo vapours are to be suitable for use in the atmosphere of these vapours.

19.2.2 Construction and Strength

- 1 The system is to be of nonsparking construction. (*See 12.1.7, Part N of the Rules*)
- 2 The system is to have sufficient strength against vibrations caused by the rotation of ventilating fans.
- 3 To be provided with necessary spare parts.

19.3 Markings

19.3.1 Marking

The system is to be provided with markings on the following items:

- (1) Name of manufacture, date of manufacture and type number
- (2) Capacity (air flow rate, rotational speed, driving power requirement, etc.)

19.4 Tests and Inspection

19.4.1 Approval Tests

- 1 Visual inspection
- 2 Performance test (to be in accordance with *JIS B 8330* or equivalent standards)
- 3 Hydraulic test

For hydraulically operated ventilating fans, the pressure-bearing parts are to be subjected to hydraulic test at a pressure of 1.5 *times* the working pressure of such parts.

Chapter 20 CARGO HOSES

20.1 General

20.1.1 Application

The requirements in this Chapter apply to cargo hoses for cargo transfer in accordance with the requirements in **N5.11.7 of the Guidance**.

20.2 Submission of Plans and Documents

20.2.1 Plans and Documents for Reference

In addition to those specified in the preceding **1.2(2)**, those given in the following **(1)** through **(4)** are to be submitted:

- (1) Specifications: To include at least the following.
 - (a) Dimensions of hose (inside diameter, outside diameter, wall thickness, pitch, etc.)
 - (b) Bursting pressure and specified maximum working pressure
 - (c) Maximum and minimum service temperatures
 - (d) Allowable bend radius
 - (e) Maximum length of manufacture
 - (f) Materials
 - (g) List of cargoes which it is compatible with
- (2) Data on compatibility of the cargoes and materials used
- (3) Data on manufacturing process and quality control
- (4) Testing and inspection plans

20.3 Materials, Construction and Strength

20.3.1 Materials

The materials of cargo hoses are to be compatible with the intended cargoes and suitable for the service temperature.

20.3.2 Construction and Strength

- 1 Cargo hoses are to be designed for 200 cyclic pressure from zero to at least twice the specified maximum working pressure.
- 2 Cargo hoses are to be designed for a bursting pressure not less than 5 times of the specified maximum working pressure.
- 3 The specified maximum working pressure of cargo hoses is to be 1.0 MPa or more.

20.4 Marking, etc.

20.4.1 Marking and List of Particulars

- 1 Cargo hoses are to be marked with the following items **(1)** to **(3)**:
 - (1) Name of manufacturer, type, date of manufacture and tested date
 - (2) Specified maximum working pressure
 - (3) Maximum and minimum service temperatures
- 2 When shipped, the "Cargo Hose Particulars" given on **Form 20.1** is to be attached to cargo hoses.

20.5 Tests and Inspection

20.5.1 Approval Test for Use

- 1 In principle, cargo hoses are to be subjected to the prototype tests in **-2** for each type and hose bore and are to be approved for

use in accordance with **Chapter 2, Part 6 of the Guidance for the Approval and Type Approval of Materials and Equipment for Marine Use.**

2 The prototype test is to conform to the following requirements **(1)** to **(6)**:

- (1) With hose end fittings complete, the hose is to be subjected to 200 cyclic pressure from zero to at least twice the specified maximum working pressure at a normal ambient temperature.
- (2) With hose end fittings complete, the hose in a state being bent to an allowable bend radius is to be subjected to a pressure corresponding to 1.5 *times* or more of the specified maximum working pressure at a normal ambient temperature.
- (3) With hose end fittings complete, the hose in a straight condition is to be subjected to a pressure corresponding to 5 *times* or more of the specified maximum working pressure at the upper and lower extreme service temperature.
- (4) In applying the requirements **(1)** to **(4)**, the pressure is to be retained for a period of 5 *minutes* or more.
- (5) The length of the hose excluding the hose end fittings for prototype test is to be approximately 1.5 *times* of the allowable bend radius or more.
- (6) In case where the test procedures given above are hardly followed, they may be substituted by other test procedures complying with **5.11.7, Part N of the Rules** and as deemed appropriate by the Society.

3 The hoses subjected to the prototype test are not to be used in actual cargo operation.

20.5.2 Product Inspection

When the hoses approved for use are shipped, each hose is to be subjected to the following tests and inspection **(1)** to **(3)** in the attendance of the Surveyor:

(1) Dimensional inspection:

It is to be checked that the dimensions of each part of the hose are as given on the drawing.

(2) Visual inspection:

It is to be checked that the hose is free from any defects or deformation.

(3) Pressure test:

Hydraulic tests are to be conducted at a pressure corresponding to 1.5 *times* or more of the specified maximum working pressure at a nominal ambient temperature and 2/5 or less of the bursting pressure.

Form 20.1 Cargo Hose Particulars

Cargo Hose Particulars

For Ship ; _____
 (The applicable code and organization ^{*1} who gave the
 Standard/Authority Approved ; approval are to be entered.)
 Hose Identification ^{*2} ; _____
 (The manufacturing No. marked on the hose is to be
 Hose Dimensions ; entered.)
 (The nominal diameter and length of the hose are to be
 Materials ; entered.)
 (The materials used for the hose are to be entered.)
 Max. Working Pressure ^{*2} ; _____
 Max. and Min. Service Temp. ^{*2} ; _____
 Suitable Cargoes ; _____
 (In case where the hose suited for multiple types of
 cargoes, enter the list of suitable cargoes by giving
 reference to the attached sheet.)

Prototype Test

Tested item	Tested ^{*2}	Test Pressure	Approved (person in charge of test and person witnessed ^{*3})
Cyclic Pressure Test :	_____	_____	_____
Bursting Pres. Test (Bend) :	_____	_____	_____
Bursting Pres. Test (Straight) :	_____	_____	_____

Product Inspection

Tested item	Tested ^{*2}	Test Pressure	Approved (person in charge of test and person witnessed ^{*3})
Pressure Test :	_____	_____	_____
Dimensional Inspection :	_____	_____	_____
Visual Inspection :	_____	_____	_____

Note :

- *1 The Administration or Classification Society from which approval was obtained
- *2 To be marked on the hose as well
- *3 In a test witnessed by the Administration or Classification Society, the organization who witnessed is also to be entered.

Chapter 21 REMOVABLE CARGO HANDLING EQUIPMENT

21.1 General

21.1.1 Application

1 The requirements in this Chapter apply to those removable liquefaction pumps, heat exchangers and associated piping systems which are temporarily placed and installed for operations of specific purpose in ships carrying liquefied gas in bulk (hereinafter referred to as “removable equipment”).

2 All the requirements in **Part N of the Rules** and of the Guidance and the relevant Chapters in this Guidance relating to fixed cargo liquid/vapour handling equipment, piping systems and electrical installations apply to the similar equipment and fittings forming the removable equipment.

21.2 Submission of Plans and Documents

21.2.1 Plans and Documents for Approval

Notwithstanding the requirements in the preceding **1.2**, the plans and documents given in the following **(1)** through **(11)** of the removable equipment are to be submitted to the Society for approval:

- (1) General arrangement of the removable equipment (including the arrangement of instruments such as thermometers and pressure gauges)
- (2) Cargo piping diagram (including design pressure, design temperature and the material specifications)
- (3) Construction plan of cargo heaters including fittings
- (4) Construction plan of cargo pumps and their prime mover
- (5) Construction cargo hoses
- (6) Earthing plan
- (7) Plans of cable installations
- (8) Diagram of wiring system
- (9) Installation, operation and removal procedure manuals of removable equipment (hereinafter referred to as “procedure manual”)
- (10) Installation plan of removable equipment
- (11) Other data and documents as deemed necessary by the Society

21.2.2 Procedure Manuals

1 The procedure manuals are to be finalized before approval after making necessary additions, deletions and modifications on the basis of the results of tests and inspection specified in **21.5**.

2 The procedure manual is to comprise, at least, the following materials:

- (1) Particulars of equipment
- (2) Installation and removal procedures and check list
- (3) Operation procedure and check list
- (4) Periodical maintenance and inspection procedures
- (5) Certificates of equipment and fittings (including cargo hoses)
- (6) Records of installation and removal
- (7) Operational records
- (8) Maintenance and inspection records

21.3 Construction and Installations

21.3.1 General

1 The construction, installation and arrangement of the equipment, piping systems and electrical installations forming the

removable equipment are to conform to the requirements in the relevant Chapter of the Rules at the time when application of this Chapter is made irrespective of the age of the ship carrying the removable equipment.

2 The removable equipment is to be installed within the cargo area.

3 The principal elements forming the removable equipment, such as cargo pumps and driving machinery are, as a rule, to be fixed on a rigid foundation of integral construction and all the assembly including the piping systems is to be unitized.

4 The hull construction of the ship where the removable equipment is installed is to be suitably reinforced and permanent foundation for installation is to be provided.

5 The bed plate and installation mount of the removable equipment are to be connected firmly by anchor bolts.

21.3.2 Cargo Piping System

1 Cargo pumps or cargo heaters used in the removable equipment are not to be directly connected to the cargo lines or cargo hoses of the shore installation.

2 It is recommended that the discharge side of cargo pumps used in the removable equipment connected to the existing permanent piping system of the ship for cargo discharging through the fixed shore-connection.

3 In case where the shore-connection referred to in the preceding -2 is not used, the removable equipment is to be provided with a shore-connection assembly of exclusive use including the emergency shutoff valve specified in **5.5.3, Part N of the Rules**. This shore-connection assembly is to be given sufficient consideration so as not to impose risk of damage on the cargo pump and emergency shutoff valves in the course of cargo hose connecting and disconnecting operation.

4 Beneath the area where cargo leakage is likely in the operation and disconnecting of the removable equipment, means are to be provided for the protection of the hull structure and prevention of undue spillage of cargo.

5 Cargo hoses used for the removable equipment are to conform to the requirements in **5.11.7, Part N of the Rules** and **Chapter 20** of this Guidance.

21.4 Electrical Installations

21.4.1 Cables

1 Cables used for the removable equipment, except for those specified in the subsequent -2 or laid in steel pipes or conduits, are to be effectively supported and fixed.

2 In case where flexible cables are used in gas-dangerous areas under unavoidable reasons, the following requirements (1) to (3), in addition to those in the preceding -1, are to be complied with:

- (1) The length of flexible cables for use is to be as short as practicable.
- (2) Flexible cables are to be suitably reinforced or to be provided with equivalent protection.
- (3) The electrical equipment or cable connection boxes are to have such a construction that will not cause damage to flexible cables at cable inlet and outlet.

3 The power feeding cables for the removable equipment are to be provided with suitable means of power shutoff and fail-safe so that no power is fed during the period when the removable equipment is being removed.

4 The cable ends located at the exposed areas of the ship when the removable equipment is being removed are to be effectively protected against the ingress of sea water and rainwater.

21.5 Tests and Inspection

21.5.1 Inspection during Manufacture

Detailed inspection during manufacture is to be carried out on the equipment, piping systems and electrical installations forming the removable equipment for their construction, materials and workmanship whereby it is to be verified that they conform to the requirements in this Chapter.

21.5.2 Inspection of Existing Equipment

For existing removable equipment, the inspection specified in **21.5.1** is to be carried out before entering the classification of the Society for the first time whereby the compliance with the requirements in this Chapter is to be verified, correspondingly.

21.5.3 Inspection at Installation

1 When the removable equipment is installed on board the ship for the first time, the tests and inspection given in the following (1) to (3) are to be conducted:

- (1) Verification of location of installation and installation procedure
- (2) Tests for use through the use of actual cargo liquid/vapour is to be conducted to verify that there are no abnormality and cargo leakage. In this case, the test pressure and temperature are to be maintained at those in normal operation.
- (3) Verification of removal procedure and place of storage

2 In tests and inspection specified in the preceding -1, it is to be verified that there are no abnormalities on items given in the procedure manual. All unsatisfactory items are to be corrected and approval by the Surveyor for reaffirmation is to be obtained.

3 In case where the removable equipment which were passed the tests and inspection specified in the preceding 21.5.1 or 21.5.2 and 21.5.3-1 and removed from a ship is intended to be installed on the same ship, the tests and inspection specified in the preceding -1 are to be conducted in the attendance of the Surveyor for each case of installation. However, the attendance of the Surveyor may be omitted on condition that installation and operation are carried out in accordance with the finalized and approved procedure specified in the preceding -2 under the supervision and responsibility of the master of the ship and records which are specified in 21.2.2-2(6) to (8) are properly taken.

4 In case where the removable equipment which passed the tests and inspection referred to in the preceding 21.5.1 or 21.5.2 and the preceding -1 and removed is intended to be installed in an other ship, the tests and inspection specified in the preceding -1 are to be conducted in the attendance of the Surveyor in each case. However, when it is recognized that the ship to which the removable equipment is to be installed is identical to the ship which was undergone the tests and inspection specified in the preceding -1 in the examination of the related equipment of the ships, this requirement may be dispensed with.

21.5.4 Precautions at Periodical Inspection

The ship for which tests and inspection at time of installation on board the ship was omitted in accordance with the requirements in the preceding 21.5.3-3 or -4, is to obtain verification of the Surveyor presenting him of the records of installation and service of the removable equipment at the time of periodical survey of the ship. Depending on the present condition and the records of the ship and removable equipment, the Surveyor may require suspension of the use of the removable equipment.

21.6 Maintenance and Inspection**21.6.1 General**

1 The removable equipment is to be inspected, at least once a year, by the responsible personnel of the ship or shore storage facilities.

2 The results of inspection referred to in the preceding -1 are to be entered in the procedure manual.

3 In case where the removable equipment is subjected to shipboard storage, such area of storage is to be in a well ventilated space within the cargo area.

Annex 2**GUIDANCE FOR DUAL FUEL BOILERS****Chapter 1 GENERAL****1.1 Scope**

1 This guidance applies to main boilers using methane (boil-off gases and cargo vapour) (hereinafter referred to as “DF boiler”) and gas fuel supply systems in accordance with the requirements in **16.1.1, Part N of the Rules**.

2 DF boilers and gas fuel supply systems are to comply with the relevant requirements of **Part D** and **Part N of the Rules**, in addition to the requirements of this Guidance and **Chapter 16, Part N of the Rules**.

3 The guidance also applies correspondingly to auxiliary boilers for which the use of methane has been approved.

1.2 Equivalency

DF Boilers which do not comply with the requirements of this Guidance may be accepted provided that they are deemed to be equivalent to those specified in this Guidance by the Society.

1.3 Drawings and Data

The drawings and data to be submitted are as follows.

- (1) Drawings and data for approval
 - (a) Items specified in **9.1.3, Part D of the Rules**
 - (b) Items specified in **18.1.3(1)(a), (c) and (e), Part D of the Rules**
 - (c) Gas fuel burning devices
 - (d) DF boiler control system diagram for burning gas fuel (including monitor, safety and alarm devices)
 - (e) Gas leaks protection devices for connections between DF boilers and gas fuel supply piping systems
 - (f) Gas fuel make-up plant (including construction, equipment and control system)
 - (g) Gas fuel supply piping systems (including details of valves and pipe fittings) and protection device against gas leak from them
 - (h) Automatic control and remote control systems for gas fuel supply system
 - (i) Prototype test plan for gas fuel burning device and test results
 - (j) Onboard test plan
 - (k) Sea trial plan
 - (l) Other drawings and data as deemed necessary by the Society according to the type of DF boilers
- (2) Drawings and data for reference
 - (a) Instruction manuals (including guidance for onboard maintenance, inspection and overhaul)
 - (b) Other drawings and data as deemed necessary by the Society

Chapter 2 CONSTRUCTION AND EQUIPMENTS OF DF BOILER

2.1 General

1 Burners of DF boilers are to be of the dual fuel type suitable to burn stably either oil fuel alone (hereinafter referred to as “oil burning”), gas fuel alone (hereinafter referred to as “gas burning”) or oil and gas fuel simultaneously (hereinafter referred to as “oil/gas burning”).

2 Burners of DF boiler are to be capable of ensuring stable burning under all conditions of combustion including the following (1) through (5) according to types of burners, and are, in principle, to be of the type that has passed prototype tests specified in 4.1.

- (1) Transferring from one fuel to another (transfer between oil burning, oil/gas burning and gas burning), and purging the fuel supply systems with inert gas (when oil burning is to be continued)
- (2) Rapid load transient
- (3) Minimum load conditions
- (4) Minimum oil fuel supply during oil/gas burning
- (5) Other conditions as deemed necessary by the Society according to the type of burners

3 DF boilers are to be provided with means to have oil/gas burning or oil burning when boiler operations are unstable, and/or during manoeuvring and port operations unless automatic transfer from gas burning to oil burning is provided.

4 DF boilers are to be capable of being transferred quickly from oil/gas burning or gas burning to oil burning.

2.2 Construction and Arrangement

1 The construction of DF boilers is to be such that a smooth combustion gas flow is ensured without stagnation of the gas fuel, and, neither gas fuel nor combustion gases leak out of the boilers.

2 The construction of DF boilers is to be capable of effective ventilation with smoothly flow of the purge gas and air when the furnace is ventilated. The ventilating system is to have satisfaction of the Society.

3 The uptake of DF boilers is to be independent through to the funnel top and the uptakes of other combustion systems or exhaust gas pipes of other equipments are not to be connected thereto.

4 For superheaters, sufficient consideration is to be given to the temperature rise of the exhaust gases at the combustion chamber outlet during gas burning.

5 The combustion air intake of DF boilers is to be independent and means are to be provided as deemed appropriate by the Society to ensure forced draught.

2.3 Burners

1 Gas fuel supply pipes to each burner are to be provided with a manually operable shut-off valve and a non-return valve and a back-fire prevention device are to be provided in series.

2 Gas fuel supply pipes to each burner are to be purged automatically with appropriate inert gas after the extinguishing of same burners.

3 Gas fuel burners are to be so arranged that they can be ignited individually only by a flame of an oil fuel burner. In this case, oil fuel burner is to be large enough to instantly ignite the gas fuel at any nozzle of the gas fuel burners.

4 Each burner is to be provided with at least two units of flame detectors. However, if a self-diagnostic function capable of monitoring failures of own system as deemed appropriate by the Society is provided, single unit of the detector may be accepted.

5 If flame detectors which are not suitable to monitor in any mode of burning are provided, the flame detector appropriate for the same burning mode to be provided separately according to -4 above.

6 Gas fuel burners are to be provided with a means to ensure cutting off of the gas fuel supply before dismounting.

7 Gas fuel burners are to be so arranged as not to be damaged by a fire during oil burning.

- 8 Fuel oil burners are to be so arranged not to be burn-damaged when the boiler is operated under the mode of oil burning.

Chapter 3 CONTROL SYSTEMS AND SAFETY SYSTEMS

3.1 Control Systems

3.1.1 Gas Burning Control System

Control systems for gas fuel burning are to comply with the following requirements (1) through (7), in addition to the requirements of 18.4.1 and 18.4.2, Part D of the Rules.

- (1) It is to be so arranged that the gas fuel is not supplied to the burners until the flame of a pilot burner for the gas fuel ignition is established and secured. Where gas fuel supply is initiated manually, it is to be so arranged that the gas fuel supply is cut off automatically when the gas fuel supply valve is opened before the flame of a pilot burner is established, or the gas fuel supply valve is locked until the pilot burner flame is established.
- (2) The control system regulating the oil/gas supply ratio is to be capable of maintaining combustion for the full range of loads approved for mixed burning taking into account of sufficient supplies of combustion air.
- (3) Combustion air supplies for gas burning or oil/gas burning are to be controlled to automatically control to secure safe combustion within the combustible range.
- (4) Combustion chambers of DF boilers are to be capable of automatic purging with a sufficient volume of air before igniting the base burners and after extinction of all burners. Arrangements are to be made to enable the boilers are manually purged and to have the satisfaction of the Society.
- (5) In the case of a gas fuel supply rate control system, it is to be so arranged that the gas fuel supply rate is secured not to be reduced less than predetermined minimum supply rate which is verified by a test in advance.

3.2 Safety Systems

3.2.1 Safety Systems and Alarm Systems of DF Boilers

1 The safety system and alarm system of DF boilers are to comply with the following requirements (1) to (3), in addition to the requirements of 9.9.10, and 18.4.4 and 18.4.5, Part D of the Rules.

- (1) Safety systems are to be provided so that the gas fuel supplies to all burners are cut off to stop the operation of DF boilers when the following abnormalities (a) through (g) occur during gas burning or burning. The automatic double block and bleed valves specified in 16.4.5, Part N of the Rules may be used as the automatic cut off valve used for this purpose.
 - (a) When all flame detectors specified in 2.3-4 issue flame-fail signals (in this case, it is to be able to stop the supply within 4 seconds after flame-fail).
 - (b) When water level falls
 - (c) When combustion air supply stops
 - (d) When gas fuel supply pressure falls
 - (e) When the automatic double block and bleed valve specified in 16.4.5, Part N of the Rules fails
 - (f) When the master gas fuel valve specified in 16.4.6, Part N of the Rules closes
 - (g) When considered necessary by the Society
- (2) In the event of abnormalities given in (1)(d) through (f) above, automatic transfer to oil burning may be substituted for stopping the DF boiler.
- (3) Means are to be provided to issue alarms in the following events (a) and (b).
 - (a) When gas fuel supply pressure falls
 - (b) When one of two units of flame detectors specified in 2.3-4 issued a flame-fail signal.
- (4) The following interlocking mechanism (a) and (b) are to be arranged concerning starting and stopping of gas burning or oil/gas burning.
 - (a) When gas burning or oil/gas burning is started, the gas fuel supply valve is to be opened after detecting that the flame of oil fuel has been established.

(b) Regulation or closing of the oil fuel supply valve is to be not effected before closing the gas fuel supply valve when oil/gas burning is stopped or extinguished.

2 DF boilers of ships to which the requirements in **1.1.1 of the Rules for Automatic and Remote Control Systems** apply are to comply with the requirements of **3.2** and **3.3.3** of the said Rules and **-1** above and to be provided with alarm devices activated on the event of any abnormalities specified in **(1)** through **(10)** given below.

- (1) Abnormal gas fuel temperatures
- (2) Abnormal gas fuel supply pressures
- (3) Abnormalities in gas fuel supply compressors
- (4) Stopping of ventilation fans for the protection ducts for gas fuel supply piping specified in **16.4.3, Part N of the Rules** or low inert gas pressures in the space between concentric pipes
- (5) Low inert gas supply pressures for purging gas fuel piping systems and burners
- (6) Low pressures of hydraulic or pneumatic power sources for burning control, or loss of electric power supply
- (7) Activation of automatic double block and bleed valves specified in **16.4.5, Part N of the Rules**
- (8) Closing of the master gas fuel valve specified in **16.4.6, Part N of the Rules**
- (9) Occurrence of factors causing to activate detecting systems specified in **Chapter 16, Part N of the Rules**
- (10) Others considered necessary by the Society

3.2.2 Safety System for Gas Fuel Make-up Plants

1 Gas compressors for gas fuel make-up plants are to be equipped with the following safety systems :

- (1) Remote stopping devices from readily accessible places and the position from which the main engine is normally controlled.
- (2) An automatic stopping device actuating when the suction pressure of boil-off gas drops to below the predetermined value according to the cargo tank construction system, before the pressure reaches the set pressure of negative pressure relief valves for cargo tanks.
- (3) Emergency shut-down specified in **Table N18.1, Part N of the Rules**.
- (4) Volumetric compressors are to be fitted with pressure relief valves discharging into the suction line of the compressor. The size of the pressure relief valves is to be determined in such away that, with the delivery valve kept close, the maximum pressure will not exceed the maximum working pressure by more than 10%.

2 Gas fuel supply compressors of ships to which the requirements in **1.1.1 of the Rules for Automatic and Remote Control Systems** apply are to be provided with safety systems and alarm systems such as the following **(1)** through **(8)**.

- (1) Monitoring devices and protective devices specified in **2.4.2 of the Annex 1 “GUIDANCE FOR EQUIPMENT AND FITTINGS OF SHIPS CARRYING LIQUEFIED GASES IN BULK”**
- (2) Emergency stop devices specified in **2.4.3 of the Annex 1 “GUIDANCE FOR EQUIPMENT AND FITTINGS OF SHIPS CARRYING LIQUEFIED GASES IN BULK”**
- (3) Automatic stop at over speed
- (4) Automatic stop at low lubricating oil pressures
- (5) Automatic stop at abnormal rise of discharge pressures
- (6) Automatic stop at abnormally low temperature at boil-off gas heater outlet
- (7) Device to avoid continuous operations in the barred speed range
- (8) Safety systems and alarm systems specified in **3.3.6 of the Rules for Automatic and Remote Control Systems**, when the gas compressors are driven by steam turbines

3 The exit temperature and pressure (or flow-rates) of gas fuel at the gas fuel make-up plants are to be automatically controlled. Furthermore, visual and audible alarm devices are to be provided such as to be activated when the temperature and pressure exceed the preset range.

Chapter 4 TESTS

4.1 Prototype Tests

Burners of DF boilers are to be subjected to prototype tests using the gas fuel in accordance with a test plan approved by the Society to demonstrate the designed performance. However, sufficient records with performance data submitted may be substituted for prototype tests when deemed appropriate by the Society.

4.2 Shop Tests

1 Tests of DF boilers are to be carried out according to the requirements in **9.10.1, Part D of the Rules**.

2 Operating tests of burners are to be conducted using the gas fuel. However, when the burners are of the same type of prototype burners specified in **4.1** or of the similar products, shop tests using only the oil fuel may be accepted when deemed appropriate by the Society.

3 Tests specified in **-2** above may be substituted with the tests specified in **4.3** when deemed appropriate by the Society. To implement surveys of tests, in lieu of traditional ordinary surveys where the Surveyor is in attendance, the Society may approve survey methods which it considers to be able to obtain information equivalent to that obtained through traditional ordinary surveys.

4.3 Tests after Installation On Board

1 DF boilers are to be tested in accordance with the requirements of **9.10.2, Part D of the Rules**.

2 Automatic control systems and remote control systems of equipment handling the gas fuel on DF boilers and gas fuel make-up plants are to be tested using the gas fuel in normal service conditions before the first cargo loading.

3 Part or all of the tests specified in **-2** above may be conducted during sea trials specified in **4.4**.

4.4 Sea Trials

1 The control systems of DF boilers and related equipment installed in ships subject to **1.1.1 of the Rules for Automatic and Remote Control Systems** are to be verified the control performance of operations using the oil fuel in accordance with the requirements in **2.2.5 of the Rules for Automatic and Remote Control Systems**. In addition, tests are to be carried out to verify the control performance using the gas fuel correspondingly in accordance with the requirements.

2 Sea trials specified in **2.1.7-7, Part B of the Rules** are to be carried out for operations using the oil fuel only. And also either the testing items as considered to be necessary by the Society are to be carried out with the operation by gas burning or oil/gas burning.

Annex 2A GUIDANCE FOR GAS COMBUSTION UNITS

Chapter 1 GENERAL

1.1 Scope

1 This annex applies to gas combustion units burning methane (boil-off gases and cargo vapour) (hereinafter referred to as “*GCU*”) in accordance with the requirements in **16.1.1, Part N of the Rules**.

2 *GCU*s are to be in accordance with relevant requirements in **Part D** and **Part N of the Rules**, in addition to the requirements of this annex, **Chapter 7** and **16, Part N of the Rules**.

1.2 Equivalency

*GCU*s not in accordance with the requirements of this annex may be accepted provided that they are deemed to be equivalent by the Society to those approved in accordance with this annex.

1.3 Submission of Plans and Documents

The plans and documents to be submitted are as follows.

- (1) Plans and documents for approval
 - (a) General arrangement
 - (b) Items specified in **18.1.3(1), (3), (5) and (6), Part D of the Rules**
 - (c) Operating instructions for the automatic control devices and remote control devices (including sequential control, combustion control and safety devices).
 - (d) Diagrams for automatic combustion control devices of *GCU*
 - (e) Gas fuel burning devices
 - (f) Gas leak protection devices for connections between *GCU*s and gas fuel supply piping systems
 - (g) Gas fuel supply piping systems (including details of valves and pipe fittings) and devices to protect surrounding areas, etc. from gas leakages
 - (h) Automatic control and remote control systems for gas fuel supply systems
 - (i) Prototype test plans for gas fuel burning devices and test results
 - (j) Onboard test plans
 - (k) Test plans of gas trials specified in **4.20.3, Part N of the Rules**
 - (l) Other drawings and data deemed necessary by the Society depending upon the type of *GCU*
- (2) Plans and documents for reference
 - (a) Instruction manuals (including guidance for onboard maintenance, inspection and overhaul)
 - (b) Other drawings and data deemed necessary by the Society

Chapter 2 CONSTRUCTION AND EQUIPMENT OF *GCU*

2.1 General

1 When the maintaining by disposing as thermal oxidation of cargo vapours specified in 1.1.4(47) and 16.2, Part N of the Rules, following (1) to (4) are to be complied with:

- (1) *GCU*s are to exhibit no externally visible flame;
- (2) the uptake exhaust temperature is to be maintained below 535°C;
- (3) arrangement of spaces where *GCU*s are located are to comply with 16.3 and supply systems are to comply with 16.4;
- (4) if waste gases coming from any other system are to be burnt, *GCU*s are to be designed to accommodate all anticipated feed gas compositions.

2 *GCU* burners are to be capable of ensuring stable igniting and burning under all conditions of combustion including the following (1) to (5) according to the type of burner. In addition, they are, in principle, to be of the type that has passed the prototype tests specified in 4.1.

- (1) Igniting condition and purging condition the fuel supply systems with inert gas (when supplementary oil burning is continued)
- (2) Rapid load fluctuations
- (3) Minimum load conditions
- (4) Free flow combusting condition (when *GCU* burners are designed to be able to do so)
- (5) Other conditions as deemed necessary by the Society depending upon the type of burners

3 *GCU*s are to be capable of quickly gas-burning on the condition of igniting.

4 *GCU*s and its supporting auxiliary services are to be to comply with 7.8.1, Part N of the Rules.

2.2 Construction and Arrangement

1 The construction of *GCU*s is to be such that a smooth combustion gas flow is ensured without stagnation of the gas fuel, and neither gas fuel nor combustion gases leak out of the *GCU*s.

2 The construction of *GCU*s is to be capable of effective ventilation by a smooth flow of purge gas and air when the combustion chamber is ventilated. The ventilating system is to be as deemed appropriate by the Society.

3 Uptakes of *GCU*s are to be independent through to the funnel top and the uptakes of other combustion systems or exhaust gas pipes of other equipment are not to be connected thereto.

4 Combustion air intakes of *GCU*s are to be independent and to have a dedicated forced draught system to ensure forced air supply.

2.3 Burners

1 Each burner is to be capable of maintaining of stable combustion under all design firing conditions.

2 Gas fuel supply pipes to burners are to be provided with manually operable shut-off valves. In addition, non-return valves and back-fire prevention devices are to be provided in a series.

3 Gas fuel supply pipes to burners are to be purged automatically with appropriate inert gases if the supply is interrupted or burners are extinguished.

4 Gas fuel burners are to be so arranged that they can be ignited individually only by flames of oil fuel burners. In such cases, oil fuel burners are to be large enough to instantly ignite the gas fuel at any nozzle of gas fuel burners. In the case of direct ignition type gas fuel burners specified in 3.2, this requirement may be dispensed with.

5 Burners using both gas fuel and oil fuel are to be provided with at least two flame detectors. If a self-diagnostic function capable of monitoring failures of own system as deemed appropriate by the Society is provided, however, a single detector may be accepted.

6 Gas fuel burners are to be provided with a means to ensure the cutting off of gas fuel supplies before dismantling.

- 7 Gas fuel burners are to be so arranged as not to be damaged by fire during pilot oil burning.
- 8 Fuel oil burners are to be so arranged as not to be burn-damaged when *GCU*s are operated under the oil burning mode.
- 9 Each burner is to have suitable devices and be arranged to ensure that gas flow to the burner is cut off unless satisfactory ignition has been established and maintained.
- 10 Each oxidation system is to have provision to manually isolate its gas fuel supply from a safely accessible position.

Chapter 3 CONTROL SYSTEMS AND SAFETY SYSTEMS

3.1 Control Systems

3.1.1 Gas Burning Control Systems

Control systems for gas fuel burning are to be in accordance with the requirements specified in the following (1) to (5). In addition, the wording “boiler” specified in 18.4.1 and 18.4.2, Part D of the Rules is to be interpreted to mean “GCU”, the systems are to be applied the requirements.

- (1) It is to be so arranged that gas fuel is not supplied to burners until the flames of pilot burners used for gas fuel ignition are established and secured. In cases where gas fuel supply is initiated manually, it is to be so arranged that the gas fuel supply is cut off automatically when gas fuel supply valves are opened before flame of pilot burners are established, or that the gas fuel supply valves are locked until the pilot burner flames are established.
- (2) Control systems regulating oil/gas supply ratios are to be capable of maintaining combustion over the full range of loads approved for oil/gas burning with consideration given to ensuring sufficient supplies of combustion air.
- (3) Combustion air supplies for gas burning or oil/gas burning are to be automatically controlled to ensure safe combustion within the possible combustible range.
- (4) Combustion chambers of GCU are to be capable of automatic purging for the chambers with sufficient air volumes both before igniting base burners and after extinction of all burners. Arrangements deemed appropriate by the Society are to be made to enable GCUs to be manually purged.
- (5) In the case of gas fuel supply rate control systems, it is to be so arranged that gas fuel supply rates are ensured not to be reduced less than predetermined minimum supply rates verified in advance by tests.

3.2 Safety Systems and Alarm Systems

3.2.1 Safety Systems and Alarm Systems of GCU

1 Safety systems and alarm systems of GCU are to be in accordance with the following (1) and (2) requirements.

- (1) Safety systems are to be provided so that gas fuel supplies to all burners are cut off to stop the operation of GCUs when the following (a) to (i) occur during gas burning or oil/gas burning. The automatic double block and bleed valves specified in 16.4.5, Part N of the Rules may be used as automatic cut off valves for this purpose:
 - (a) when automatic ignition fails;
 - (b) when all flame detectors specified in 2.3-5 issue flame-fail signals (in such cases, it is to be able to stop the supply within 4 seconds after flame-fail);
 - (c) when a fan supplying air for either combustion or cooling stops (excluding cases where a standby fan automatically switches on when an operating fan stops);
 - (d) when gas fuel supply pressure falls (excluding free flow combusting condition);
 - (e) when oil fuel (pilot oil) supply pressure falls;
 - (f) when the automatic double block and bleed valves specified in 16.4.5, Part N of the Rules fail;
 - (g) when the master gas fuel valves specified in 16.4.6, Part N of the Rules close;
 - (h) when the uptake exhaust gas reaches high temperature;
 - (i) when deemed necessary by the Society.
- (2) Means are to be provided to issue alarms in the following (a) to (g) cases:
 - (a) when one of the flame detectors specified in 2.3-5 issues a flame-fail signal;
 - (b) when either the combustion or cooling air supply decreases, or the fan stops;
 - (c) when gas fuel supply pressure falls (excluding free flow combusting condition);
 - (d) when the power supply for burner control stops;
 - (e) when gas detectors for the outer pipes of double wall pipes or ducts fail;

- (f) when ventilation fans of the protection ducts for gas fuel supply piping specified in **16.4.3, Part N of the Rules** stop or inert gas pressure in the space between concentric pipes falls;
- (g) when factors causing to activate detecting systems specified in **13.6, Part N of the Rules** occurs.

2 *GCUs* subject to the **1.1.1 of the Rules for Automatic and Remote Control Systems** are to be in accordance with the requirements **-1** above, following **(1)** and **(2)** requirements.

- (1) Such *GCUs* are to be provided with devices which issue alarms in the event any of the abnormalities specified in the following **(a)** to **(e)** occurs:
 - (a) abnormal gas fuel temperatures;
 - (b) abnormal gas fuel supply pressures;
 - (c) low inert gas supply pressures for purging gas fuel piping systems and burners;
 - (d) low pressures of hydraulic or pneumatic power sources for burning control, or loss of electric power supplies;
 - (e) others deemed necessary by the Society.
- (2) Systems intended for automatic combustion control are to comply with the following **(a)** to **(d)** requirements:
 - (a) Automatic combustion control systems are to comply with the following requirements:
 - i) The systems are to be able to obtain planned capacity and be able to secure stable combustion.
 - ii) Devices to control the fuel supply of *GCU* to adjust according to the load imposed and are to be capable of ensuring stable combustion in the controllable range of fuel supply.
 - iii) In cases where combustion control is carried out according to the pressure of the *GCU*, the upper limit of this pressure is to be lower than the set pressure of the safety valves.
 - (b) The combustion control devices for intermittent operation are to comply with the following requirements and they are to operate according to a planned sequence:
 - i) Before ignition of the pilot burner or before ignition of the main burner if a pilot burner is not fitted, the combustion chamber and the flue are to be prepurged by air of not less than 4 times the volume of the combustion chamber and the flue up to the *GCU* uptake. For small *GCUs* with only one burner, a prepurge for not less than 30 *seconds* will be accepted.
 - ii) In cases where deemed appropriate by the Society and direct ignition, a method of ignition in which the main burner is fired by ignition spark is used, the opening of the fuel valve is not to precede the ignition spark.
 - iii) In cases where indirect ignition is used, a method of ignition in which the main burner is fired by a pilot burner, the opening of the fuel valve for the pilot burner (hereinafter referred to as ignition fuel valve in this part) is not to precede the ignition spark, and the opening of the fuel valve for the main burner (hereinafter referred to as main fuel valve in this part) is not to precede the opening of the ignition fuel valve.
 - iv) Firing is to definitely be carried out within the planned period. If the firing of the main burner has failed, main fuel valves are to be so designed as to close after being opened within 10 *seconds* in the case of direct ignition and 15 *seconds* in the case of indirect ignition.
 - v) Firing on the main burners is to be carried out at their low firing position.
 - vi) After closure of the automatic double block and bleed valves, post-purge is to be sufficiently carried out to completely burn off all remaining fuel oil between the valves and the burner nozzle.
 - (c) The combustion control devices for controlling the number of firing burners are to comply with the following requirements:
 - i) Each burner is to be fired and extinguished according to a planned sequence. However, the base burner may be fired by manual operation and other burners may be fired by a flame from burner(s) already lit.
 - ii) Any remaining fuel in extinguished burners is to be automatically burnt up in order not to interfere with any restarting of the burner. However, while the pilot burner is not ignited, any remaining fuel in the base burner is not to be removed by steam or air when the base burner is placed in *GCUs*.
 - iii) The burners for *GCUs* are to be capable of being fired and extinguished from main control stations or the main control station on the bridge, except for the firing of base burner.
 - (d) Other combustion control devices are to be deemed appropriate by the Society. They are also to comply with the relevant requirements in **(a)** to **(c)** above.

3.2.2 Safety System for Gas Fuel Make-up Plants

1 Gas compressors for gas fuel make-up plants are to be equipped with the following **(1)** through **(4)** safety systems:

- (1) Remote stopping devices from readily accessible places and the position from which the *GCU*s is normally controlled.
- (2) An automatic stopping device actuating when the suction pressure of boil-off gas drops to below the predetermined value according to the cargo tank construction system, before the pressure reaches the set pressure of negative pressure relief valves for cargo tanks.
- (3) Emergency shut-down specified in **Table N18.1, Part N of the Rules**.
- (4) Volumetric compressors are to be fitted with pressure relief valves discharging into the suction line of the compressor. The size of the pressure relief valves is to be determined in such away that, with the delivery valve kept close, the maximum pressure will not exceed the maximum working pressure by more than 10%.

2 Gas fuel supply compressors of ships to which the requirements in **1.1.1 of the Rules for Automatic and Remote Control Systems** apply are to be provided with safety systems and alarm systems such as the following **(1)** through **(8)**.

- (1) Monitoring devices and protective devices specified in **2.4.2 of the Annex 1 “GUIDANCE FOR EQUIPMENT AND FITTINGS OF SHIPS CARRYING LIQUEFIED GASES IN BULK”**
- (2) Emergency stop devices specified in **2.4.3 of the Annex 1 “GUIDANCE FOR EQUIPMENT AND FITTINGS OF SHIPS CARRYING LIQUEFIED GASES IN BULK”**
- (3) Automatic stop at over speed
- (4) Automatic stop at low lubricating oil pressures
- (5) Automatic stop at abnormal rise of discharge pressures
- (6) Automatic stop at abnormally low temperature at boil-off gas heater outlet
- (7) Device to avoid continuous operations in the barred speed range
- (8) Safety systems and alarm systems specified in **3.3.6 of the Rules for Automatic and Remote Control Systems**, when the gas compressors are driven by steam turbines

3 The exit temperature and pressure (or flow-rates) of gas fuel at the gas fuel make-up plants are to be automatically controlled. Furthermore, visual and audible alarm devices are to be provided such as to be activated when the temperature and pressure exceed the preset range.

Chapter 4 TESTS AND INSPECTION

4.1 Prototype Tests

Burners of *GCU*s are to be subjected to prototype tests using gas fuel to demonstrate design performance in accordance with test plans approved by the Society. Such tests, however, may be substituted for by the submission of sufficient records of performance data in cases where deemed appropriate by the Society.

4.2 Shop Tests

- 1 Tests of welds in piping systems and auxiliaries of *GCU* are to comply with relevant requirements in **Chapter 11, Part D** and **Part N of the Rules**.
- 2 Tests of Auxiliaries and piping of *GCU* after manufacture are to comply with the requirements in **12.6, Part D of the Rules**.
- 3 Operating tests of burners are to be conducted using the gas fuel. Shop tests using only oil fuel, however, may be accepted in cases deemed appropriate by the Society when the burners are of the same or similar type as burners which have passed the prototype tests specified in **4.1**.
- 4 The tests specified in **-3** above may be substituted for with the tests specified in **4.3** in cases where deemed appropriate by the Society.

4.3 Tests after Installation On Board

- 1 Function tests for the safety devices and alarm devices of *GCU*s are to be carried out after the *GCU* has been installed on board.
- 2 Automatic control systems and remote control systems for equipment handling gas fuel of *GCU*s and gas fuel preparation plants are to be tested using gas fuel in normal service conditions before the first fuel loading.
- 3 Part or all of the tests specified in **-2** above may be conducted during the gas trials specified in **4.4**.

4.4 Gas Trials

1 For Gas trials of the control systems for *GCU*s and related equipment specified in **4.20.3, Part N of the Rules**, the wording “boiler” and “main boiler” specified in **2.2.5 of the Rules for Automatic and Remote Control Systems** are to be interpreted to mean “*GCU*”, the requirements are to apply depending upon their of installation characters to verify the control performance where only oil fuel is used. In addition, tests are to be carried out to verify the control performance where only gas fuel is used in accordance with the aforementioned requirements.

2 For Gas trials of *GCU*s and related equipment, the wording “Sea Trail” specified in **2.1.7-7, Part B of the Rules** is to be interpreted to mean “Gas Trail”, the requirements are to apply and the gas trials carried out using oil fuel only.

In addition, only the tests in **2.1.7-7, Part B of the Rules** deemed necessary by the Society are to be carried out during the gas trials for dual-fuel type engines and the gas-only type engines operating by gas burning or oil/gas burning.

- 3 The tests specified in **-1** and **-2** above may be conducted during the sea trials.

Annex 5**GUIDANCE FOR THE EVALUATION OF THE
ADEQUACY OF TYPE C TANK SYSTEMS****Chapter 1 GENERAL****1.1 Scope**

This guidance applies to the evaluation of the adequacy of type *C* tank systems in accordance with the relevant requirements in **8.2.18 of the Rules** and **N8.2.18 of the Guidance**, in relation to calculating the filling limits for cargo tanks specified in **15.5.2, Part N of the Rules**, where the reference temperature is the maximum temperature of the cargo upon termination of loading, during transport, or unloading.

1.2 Equivalency

Vent systems which do not comply with this guidance may be accepted, provided that they are deemed to be equivalent to those specified in this guidance by the Society.

1.3 Drawings and Data

The drawings and data to be submitted are as follows.

- (1) Drawings and data for approval
 - (a) Arrangements of vent systems (including dimensions and particulars of piping and fittings necessary for calculation of evaluation)
 - (b) Calculation results of the evaluation of the adequacy of vent systems

Chapter 2 CRITERION OF EVALUATION

2.1 General

- 1 The tank outlet to the pressure relief valves should remain in the vapour phase at the 98% liquid level and **8.2.17 of the Rules** specified list and trim.
- 2 *PRVs* which have been sized using criterion provided to the satisfaction of the Society, have adequate capacity.
- 3 To assure adequate relieving capacity condition and blowdown condition, (1) and (2) are required.
 - (1) The pressure drop in the vent pipe from the cargo tank to the *PRV* inlet (Δp_{inlet}) should not exceed 3% of *MARVS*, at the *PRV* capacity from equation (1) in **2.3-1** at 120% of *MARVS* on all vapour flow. Pilot-operated valves can tolerate higher inlet-pipe losses when the pilot senses at the position that is not affected by the inlet-pipe pressure drop.
 - (2) The blowdown (Δp_{close}) should not be less than (Δp_{inlet}) plus 2% of *MARVS* at the installed rated vapour capacity where required to assure stable operation of the *PRV*. In principle, this calculation should be performed at *MARVS* on all vapour flow.
- 4 The built-up back pressure in the vent piping from the *PRV* outlet to the location of discharge to the atmosphere, and including any vent pipe interconnections which join other tanks, should not exceed the following values, when assuming isenthalpic expansion of saturated liquid, at 120% of *MARVS*, through the *PRV* with the vent piping under fire exposure. A heat flux of 108 kW/m^2 is assumed for uninsulated vent piping:
 - (1) for unbalanced *PRVs*: 10% *MARVS*
 - (2) for balanced *PRVs* and pilot-operated *PRVs* as advised by manufacturer: normally 30% of *MARVS* for balanced *PRVs* and 50% of *MARVS* for pilot-operated *PRVs*
- 5 The built-up back pressure in the vent piping may be estimated by the procedures outlined in **2.2**.
- 6 *MARVS* means the maximum allowable relief valve setting of a cargo tank (gauge pressure).

2.2 Procedures

The following procedures will demonstrate the adequacy of a tank vent system to limit the pressure rise in a cargo tank to not greater than 120% of *MARVS* during all conditions, including fire conditions implicit in **8.4.1, Part N of the Rules**.

- (1) Prepare a simplified flow sheet of the cargo tank vent system, identifying the fittings and the actual diameters and lengths of pipe. (See **Fig. 1**) Divide the system into sections between nodes at changes in pipe diameter and at interconnections with flows from other relief valves. List the fittings and their dynamic loss coefficients. Calculate the external surface area of the piping sections between the nodes. (See **Table 2**)
- (2) Calculate the *PRV* capacity (Q_{GCC}) of each tank *PRV*, in m^3/s of air at standard conditions in accordance with **8.4.1, Part N of the Rules** and note the installed rated capacity (Q_{IR}) of each *PRV* in m^3/s air at standard conditions at 120% of *MARVS*. The calculation should be done for the highest gas factor of the products included in the cargo list. Determine the mass flows for cargo conditions at 120% of *MARVS* through each *PRV* for the *PRV* capacity and for the installed rated capacity for both all vapour flow and for two-phase cargo flow. Also calculate the mass flow at *MARVS* for the installed rated capacity on all vapour flow. Equation (1) may be used for all vapour mass flow and equations (2), (3) and (4) may be used for two-phase mass flow.
- (3) Estimate all the vapour flow pressure drop at 120% of *MARVS* in the pipe from the cargo tank connection to the *PRV* inlet flange, working from the known tank pressure towards the *PRV*. This pressure drop is calculated by using the difference in stagnation pressures. Therefore, the second term of equation (5) may be used for pipe sections of constant diameter. For contractions, equation (5.1) may be used.
- (4) Check that the pressure drop at each *PRV* inlet complies with **2.1-3(1)** at the *PRV* capacity for all vapour flow to assure adequate relief capacity. For the calculation, the vapour mass flow of product (W_g) from equation (1) should be used.
- (5) Estimate the two-phase flow pressure in the discharge pipe at the location of discharge to the atmosphere. Equation (6) may be used, with the *PRV* two-phase mass flow (W' , equation (4)) to assure adequate relief capacity, to check if the exit pressure is

greater than 1 bar *a*.

- (6) Estimate the vapour fraction and two-phase density in the vent pipe at the exit to the atmosphere, assuming transfer of the fire heat flux of 108 kW/m^2 through the uninsulated vent piping. (See 2.3-7, the same being referred to hereinafter) Equations (7) and (8) may be used.

- (7) Estimate the built-up back pressure at the *PRV* outlet flange, commencing from the known vent pipe exit pressure, calculating the pressure drop between pipe nodes and working, section by section, back up the pipe to the *PRV*.

Equations (7), (8), (9) and (5) may be used with iteration until the upstream node absolute pressure, vapour fraction and specific volume are justified and assuming that vapour is saturated.

At pipe diameter expansion fittings where fluid velocity is reduced, a pressure recovery generally occurs. This recovery is overestimated in case of two-phase flow when dynamic loss coefficients for single-phase flow are used. For the purpose of these guidelines, the static exit pressure of a conical expansion fitting is assumed to be equal to the static inlet pressure.

- (8) Estimate the choking pressure (p_{ec}) at the exit of every section with the mass-flux (G_p) in that section for the pipeline between the *PRV* and the vent exit. Equation (6) may be used.

Compare the pressure distribution along the vent line as derived from item 2.2(5) to 2.2(7), with the different choking pressures for each section as derived from equation (6). If choking pressure at any location exceeds the corresponding calculated pressure derived from 2.2(5) to 2.2(7), the calculation as described in 2.2(5) to 2.2(7) should be repeated commencing from choking point location and corresponding choking pressure, working back up the pipe to the *PRV*. If choking pressure at more than one location exceeds the corresponding calculated pressure derived from 2.2(5) to 2.2(7), the commencing point of the recalculation should be taken as the choking location point giving the highest built-up back pressure.

- (9) Check that the built-up back pressure at each *PRV* outlet complies with 2.1-4, at the *PRV* capacity for two-phase mass flow (W' , equation (4)) at 120% of *MARVS*, to assure stable operation of the valves, thus assuring adequate relief capacity.

2.3 Equations

- 1 Equation (1) for all vapour mass flow rate from tank through *PRV*s:

$$W_g = \frac{71 \cdot 10^3 \cdot F \cdot A^{0.82}}{h_{fg}} \text{ (kg/s)} \quad (1)$$

where

F : fire exposure factor according to 8.4.1, Part N of the Rules

A : external surface area of cargo tank according to 8.4.1, Part N of the Rules (m^2)

h_{fg} : latent heat of vaporization of cargo at 120% of *MARVS* (J/kg)

- 2 Equation (2) for isenthalpic flashing mass flux of liquid through *PRV* orifice:

$$G_v \approx h_{fg} \cdot \rho_g \left[\frac{1}{T_0 \cdot c} \right]^{1/2} \text{ (kg/m}^2\text{s)} \quad (2)$$

where

h_{fg} : see equation (1)

ρ_g : vapour density at 120% of *MARVS* and corresponding boiling temperature (kg/m^3)

T_0 : temperature (K) of cargo at 120% of *MARVS*

c : liquid specific heat at 120% of *MARVS* and T_0 (J/kgK)

- 3 Equation (3) for two-phase mass flow rate through *PRV* is installed:

$$W = G_v \cdot K_w \cdot A_v \text{ (kg/s)} \quad (3)$$

where

G_v : taken from equation (2) (kg/m^2s)

K_w : *PRV* discharge coefficient on water ($\approx 80\%$ of measured K_d on air)

A_v : actual orifice area of *PRV* (m^2)

- 4 Equation (4) for *PRV* capacity for two-phase mass flow:

$$W' = G_v \cdot K_w \cdot A_v \frac{Q_{GCC}}{Q_{IR}} \quad (\text{kg/s}) \quad (4)$$

where

Q_{GCC} : PRV capacity of air at standard conditions in accordance with **8.4.1, Part N of the Rules** (m^3/s)

Q_{IR} : installed rated PRV capacity of air at $T=273^\circ \text{K}$ and $p=1.013 \text{ bar}$ (m^3/s)

5 Equation (5) for the calculation of the static pressure difference in a pipe section of constant diameter in which the mass flux (G_p) is constant:

$$\Delta p = G_p^2 \cdot (v_e - v_i) + 0.5 \cdot G_p^2 \cdot \left(\frac{v_e + v_i}{2} \right) \cdot \left(4 \cdot f \cdot \frac{L}{D} + \sum N \right) \quad (\text{Pa}) \quad (5)$$

(105 Pa=1 bar=14.5 psi)

where

mass flux through the pipe section

$$G_p = \frac{W}{\pi \cdot D^2 / 4} \quad \text{or} \quad \frac{W'}{\pi \cdot D^2 / 4} \quad (\text{kg/m}^2\text{s})$$

v_e : two-phase specific volume at pipe section exit (m^3/kg)

v_i : two-phase specific volume at pipe section inlet (m^3/kg)

f : Fanning friction factor $f=0.005$ for two-phase fully turbulent flow

L : length of pipe section (m)

D : diameter of pipe section

$\sum N$: sum of dynamic loss coefficients for fittings in the pipe section $N=4 \cdot f \cdot L/D$ equivalent

(Typical values of N are given in **Table 3**)

Equation (5.1): For constructions, the difference in stagnation pressure is defined by:

$$\Delta p = \frac{1}{2} \cdot G_{p,e}^2 \cdot v_i \cdot N \quad (\text{Pa}) \quad (5.1)$$

where

N : dynamic loss coefficients of the contraction

$G_{p,e}$: mass flux at the exit of the contraction ($\text{kg/m}^2\text{s}$)

v_i : specific volume at the inlet of the contraction (m^3/kg)

6 Equation (6) for two-phase critical choking pressure at vent mast exit or at exit from any vent pipe section

$$p_{ec} = G_p \left[\frac{p_0 \cdot \omega}{\rho_0} \right]^{1/2} \quad (\text{Pa}) \quad (6)$$

where

G_p : as defined in equation (5)

p_0 : cargo vapour pressure in tank at inlet at inlet to PRV (Pa)

ρ_0 : cargo liquid density in tank at inlet at inlet to PRV at p_0 and T_0 (kg/m^3)

ω : compressible flow parameter in tank at inlet to PRV (when assuming isenthalpic expansion of saturated liquid, at 120% of MARVS, through the PRV)

$$\omega = \alpha_0 + (1 - \alpha_0) \frac{\rho_0 \cdot c \cdot T_0 \cdot p_0 \cdot (v_{g0} - v_{f0})^2}{(h_{g0} - h_{f0})^2}$$

where

c : see equation (2)

T_0 : see equation (2)

$(v_{g0} - v_{f0})$: difference in gaseous and liquid specific volume at temperature T_0 at inlet PRV (m^3/kg)

$(h_{g0} - h_{f0})$: difference in gaseous and liquid enthalpy at temperature T_0 at inlet PRV (J/kg)

7 Equation (7) for exit quality, or vapour mass fraction at pipe section exit:

$$x_e = \frac{h_{f0} - h_{fe} + 1000 \cdot q \cdot \sum a / W}{h_{fg}} \quad (7)$$

(e.g. $x_e=0.3 \equiv 30\%$ quality $\equiv 30\%$ vapour + 70% liquid by mass)

where

h_{f0} : liquid enthalpy in tank at inlet to PRV (J/kg)

h_{fe} : liquid enthalpy at back pressure at pipe section exit (J/kg)

h_{fg} : latent heat of vaporization at back pressure at pipe section exit (J/kg)

q : heat flux from fire exposure into vent pipe equal to $108kW/m^2$

a : heated external surface area of vent pipe section (m^2)

W : mass flow rate in vent pipe section (kg/s)

8 Equation (8), (9) for two-phase density (ρ) and specific (v)

$$\rho = \rho_g / x \quad (kg/m^3) \quad (8)$$

where

ρ_g : saturated vapour density at pipe section inlet or exit

x : vapour fraction at pipe section inlet or exit

$$v = 1/\rho \quad (m^3/kg) \quad (9)$$

2.4 Example of Procedures

Example of procedures for vent systems specified in 2.2 and 2.3 is referred to in **Table 1**(IMO Resolution A.829(19) Annex 2).

Fig. 1 Simplified Flow Sheet of a Cargo Tank Vent System with One Vent Stack Connected to Two Tanks

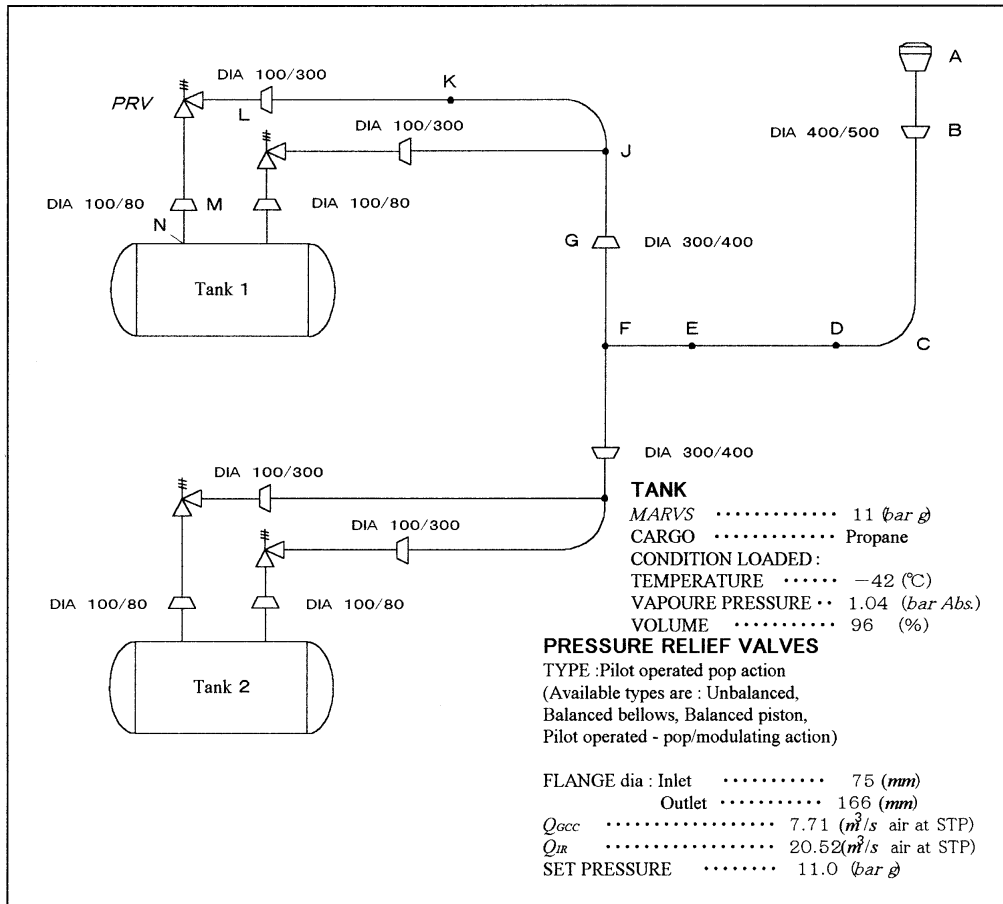


Fig. 2 Two-phase Propane Properties at Code PRV Relief Flow-rate Simplified Flow Sheet of a Cargo Tank Vent System with One Vent Stack Connected to Two Tanks

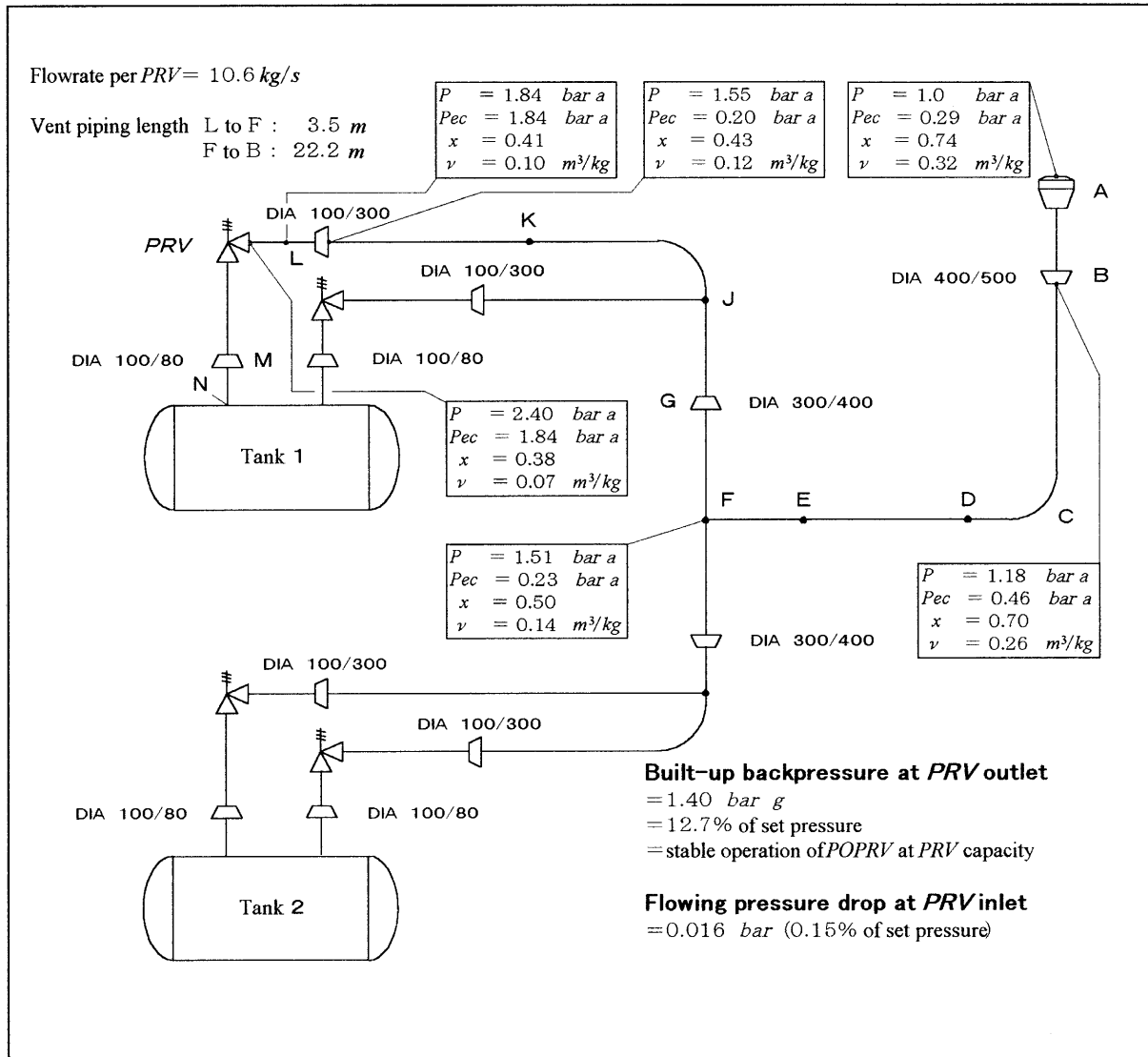


Table 1 Worked Example of the Procedure

Applicable provisions	Worked example of the procedure
2.2(1)	<p>Fig. 1 is a simplified flow sheet of a cargo tank vent system with one vent stack connected to two tanks. The system has been divided into sections between nodes, marked by capital letters A to N, at changes in pipe diameter and at interconnections with flows from other relief valves at F and J. Table 2 lists the vent pipe lengths and external surface areas, the fittings in the vent system and their Friction Resistance Factors. Table 3 gives some typical values for Friction Resistance Factors (N). N may vary with pipe diameter.</p>
2.2(2)	<p>The minimum tank relief capacity of the Rules, Q_{GCC}, is calculated for the ship tank which has an external surface area of 747 m^2 and $MARVS$ of 11.0 bar g.</p> <p>By 8.4.1, Part N of the Rules for propane: for $1.2 \cdot MARVS = 11.0 \cdot 1.2 + 1.0 = 14.2 \text{ bar a}$ $L = 308.6 \text{ kJ/kg}$ $T = 273 + 41 = 313 \text{ }^\circ\text{K}$ $D = 0.635$, for $k = 1.13$ $Z = 1.0$ $M = 44$ $A^{0.82} = 227.05$ $F = 0.2$</p> $Q_{GCC} = 0.2 \cdot \frac{12.4}{308.6 \cdot 0.635} \cdot \sqrt{\left(\frac{1.0 \cdot 314}{44}\right)} \cdot 227.05 = 7.68 \text{ m}^3/\text{s of air at STP}$ <p>The Q_{GCC} for the actual case study ship tank = $7.71 \text{ m}^3/\text{s}$ of air at standard conditions (STP) of 273°K and 1.013 bar a.</p> <p>The installed rated capacity for two $75 \text{ mm} \times 100 \text{ mm}$ AGCo Type 95 <i>POPRVs</i> $Q_{IR} = 20.52 \text{ m}^3/\text{s}$ of air at standard conditions (STP). or $20.52/7.71 = 2.66$ times the Q_{GCC}</p> <p>By equation (1) for all vapour mass flow rate from tank for propane: where h_{fg} at $1.2 \cdot MARVS = 308600 \text{ J/kg}$ $W_g = \frac{71000 \cdot 0.2 \cdot 227.05}{308600} = 10.44 \text{ kg/s}$ or <i>PRV</i> all vapour mass flow rate per <i>PRV</i> = 5.22 kg/s and installed rated all vapour mass flow rate per <i>PRV</i> = $5.22 \cdot 2.66 = 13.89 \text{ kg/s}$ where h_{fg} at $MARVS = 322800 \text{ J/kg}$ $W_g = \frac{71000 \cdot 0.2 \cdot 227.05}{322800} = 9.99 \text{ kg/s}$</p> <p>By equation (4) for two-phase mass flow rate through provided <i>PRV</i> At $1.2 \cdot MARVS$: $W = 28.25 \cdot 7.71/20.52 = 10.6 \text{ kg/s}$</p>
2.2(3)	<p>The all vapour capacity and two-phase pressure drops in the pipe from the cargo tank to the <i>PRV</i> inlet are calculated as the difference in stagnation pressures by using the second term of equation (5) for pipe sections of constant diameter and by using equation (5.1) for conical reduction fittings (contractions).</p>

Applicable provisions	Worked example of the procedure
	<p>(1) For provided <i>PRV</i> all vapour capacity at $1.2 \cdot MARVS$</p> <p>Section N to M: $\Delta p = 0.5 \cdot 665^2 \cdot 0.0330 \cdot 0.528 = 3900 \text{ Pa (0.039 bar)}$ where from Table 2: $G_p = 5.22/\pi \cdot 0.1^2/4 = 665 \text{ kg/m}^2\text{s}$; $4f \cdot L/D + N = 0.528$ $v = 0.0330 \text{ m}^3/\text{kg}$ with incompressible flow assumed Conical reduction fitting M: where $G_p = 5.22/\pi \cdot 0.08^2/4 = 1038 \text{ kg/m}^2\text{s}$; $N = 0.1$ $\Delta p = 0.5 \cdot 1038^2 \cdot 0.0330 \cdot 0.1 = 1800 \text{ Pa (0.018 bar)}$ Section M to <i>PRV</i>: $\Delta p = 0.5 \cdot 1038^2 \cdot 0.0330 \cdot 0.027 = 500 \text{ Pa (0.005 bar)}$ here and from Table 2 $G_p = 1038 \text{ kg/m}^2\text{s}$; $4f \cdot L/D + N = 0.027$ Section N to <i>PRV</i> total $\Delta p = 0.039 + 0.018 + 0.005 = 0.06 \text{ bar}$</p> <p>(2) For installed rated all vapour capacity at <i>MARVS</i></p> <p>Section N to M: $\Delta p = 0.5 \cdot 1689^2 \cdot 0.0392 \cdot 0.528 = 29500 \text{ Pa (0.295 bar)}$ here $G_p = 1689 \text{ kg/m}^2\text{s}$; $v = 0.0392 \text{ m}^3/\text{kg}$ with incompressible flow assumed Conical reduction fitting M: $\Delta p = 0.5 \cdot 2640^2 \cdot 0.0392 \cdot 0.1 = 13700 \text{ Pa (0.137 bar)}$ here, $G_p = 2640 \text{ kg/m}^2\text{s}$ Section M to <i>PRV</i>: $\Delta p = 0.5 \cdot 2640^2 \cdot 0.0392 \cdot 0.027 = 3700 \text{ Pa (0.037 bar)}$ here, $G_p = 2640 \text{ kg/m}^2\text{s}$ Section N to <i>PRV</i> total $\Delta p = 0.295 + 0.137 + 0.037 = 0.47 \text{ bar}$</p>
<p>2.2(4)</p>	<p>Check system compliance with requirements of 2.1-3(1)</p> <p>At divided <i>PRV</i> all vapour capacity at $1.2 \cdot MARVS$ $\Delta p \cdot 100/p_{MARVS} = 0.06 \cdot 100/11.0 = 0.55\% \leq 3\%$</p> <p>For requirement of 2.1-3(2)</p> <p>At divided <i>PRV</i> two-phase capacity at $1.2 \cdot MARVS$ $= 0.016 \cdot 100/11.0 = 0.15\%$</p> <p>At installed rated all vapour capacity at <i>MARVS</i> $= 0.47 \cdot 100/11.0 = 4.27\%$</p> <p>At installed rated two-phase capacity at <i>MARVS</i> $= 0.10 \cdot 100/11.0 = 0.91\%$</p> <p>$\Delta p_{close} > 0.02 p_{MARVS} + \Delta p_{inlet}$ $> 0.02 \cdot 11.0 + 0.47 > 0.69 \text{ bar}$</p> <p>For stable operation of the <i>PRV</i>, closing pressure should be less than: $11.0 - 0.69 \leq 10.31 \text{ bar g}$ for a pop-action <i>POPRV</i></p>

Applicable provisions	Worked example of the procedure
2.2(5)	<p>The two-phase critical exit choking pressure is estimated, using saturated propane properties at $1.2 \cdot MARVS$ (14.2 bar a)</p> <p>By equation (6)</p> $\text{where } \omega = \frac{466.2 \cdot 2931 \cdot 314 \cdot 1420000 \cdot (0.0330 - 0.0021)^2}{(832800 - 52400)^2} = 6.09$ <p>and where W' for Code discharge from four PRVs</p> $= 10.6 \cdot 4 = 42.4 \text{ kg/s}; D_{exit}=0.5 \text{ m}; G_p = \frac{42.4}{\pi \cdot 0.5^2 / 4} = 215.9 \text{ kg/m}^2\text{s}$ $p_{ec} = 215.9 \cdot \left[\frac{1420000 \cdot 6.09}{466.2} \right]^{1/2} = 215.9 \cdot 136.2 = 29400 \text{ Pa (0.29 bar a)}$ <p>Thus the exit flow is not choked and the vent pipe exit pressure is 100000 Pa (1 bar a)</p>
2.2(6)	<p>The exit vapour fraction, x_e, assuming a fire exposure heat flux of 108 kW/m^2 into uninsulated vent discharge piping at the Code rated two-phase flow rate, is estimated.</p> <p>By equation (7) and from Table 2:</p> $\sum \frac{a}{W} = \frac{27.86+4.50}{42.4} + \frac{1.81}{21.2} + \frac{1.72}{10.6} = 1.011 \text{ m}^2\text{/kg}$ $\text{and } x_e = \frac{524200 - 320300 + 108000 \cdot 1.011}{425200} = 0.74$ <p>By equation (8) and (9)</p> $\rho_e = 3.14 \text{ kg/m}^3 \text{ and } v_e = 0.319 \text{ m}^2\text{/kg}$
2.2(7) 2.2(8) 2.2(9)	<p>The pressure drops between the vent discharge piping nodes are estimated by equation (5), with iteration until the upstream node absolute pressure, vapour fraction and specific volume are justified, and working section by section back up the pipe to the PRV.</p> <p style="border: 1px solid black; padding: 2px; display: inline-block;">Section BA</p> <p>Section B to A and from Table 2:</p> $G_p = 4 \cdot 10.6 / \pi \cdot 0.5^2 / 4 = 215.9 \text{ kg/m}^2\text{s}$ <p>By first approximation</p> $\Delta p = 0.5 \cdot 215.9^2 \cdot 0.319 \cdot 2.313 = 17200 \text{ Pa (0.17 bar)}$ <p>Try $p_B = 1.18 \text{ bar a}$</p> <p>By equation (7) and from Table 2:</p> $\sum a/W = 27.86/42.4 + 1.81/21.2 + 1.72/10.6 = 0.9048 \text{ m}^2\text{/kg}$ $\text{and } x_B = \frac{524200 - 328700 + 108000 \cdot 0.9048}{421600} = 0.70$ <p>By equation (8) and (9)</p> $\rho_B = 2.73/0.70 = 3.90 \text{ kg/m}^3; v_B = 0.256 \text{ m}^2\text{/kg}$ <p>By equation (5)</p> $\Delta p = 215.9^2 \cdot (0.319 - 0.256) + 0.5 \cdot 215.9^2 \cdot (0.319 + 0.256)/2 \cdot 2.313$ $= 2900 + 15500 = 18400 \text{ Pa (0.18 bar)}$ <p>and $p_B = 1.18 \text{ bar a}$</p> <p>By 2.2(8) and p_{ec} at B = $337.3 \cdot 136.2 = 46000 \text{ Pa (0.46 bar a)}$ using mass flux at exit from section F to B</p> <p style="border: 1px solid black; padding: 2px; display: inline-block;">Section FB</p>

Applicable provisions	Worked example of the procedure
	<p>Section F to B and from Table 2: where $G_p = 4 \cdot 10.6/\pi \cdot 0.4^2/4 = 337.3 \text{ kg/m}^2\text{s}$ By first approximation $\Delta p = 0.5 \cdot 337.3^2 \cdot 0.256 \cdot 1.808 = 26300 \text{ Pa (0.26 bar)}$ By equation (7) and from Table 2:</p>
	<p>where $\sum a/W = 1.81/21.2 + 1.72/10.6 = 0.2477 \text{ m}^2\text{/kg}$ and $x_F = \frac{524200 - 343300 + 108000 \cdot 0.2477}{412600} = 0.50$ By equation (8) and (9) $\rho_F = 3.45/0.50 = 6.90 \text{ kg/m}^3$; $v_F = 0.145 \text{ m}^3\text{/kg}$ By equation (5) $\Delta p = 337.3^2(0.256 - 0.145) + 0.5 \cdot 337.3^2 (0.256 + 0.145)/2 \cdot 1.808$ $= 12600 + 20600 = 33200 \text{ Pa (0.33 bar)}$ and $p_F = 1.18 + 0.33 = 1.51 \text{ bar a}$</p> <p style="text-align: center;">Section GF</p> <p>Section G to F and from Table 2: where $G_p = 2 \cdot 10.6/\pi \cdot 0.4^2/4 = 168.7 \text{ kg/m}^2\text{s}$ By first approximation $\Delta p = 0.5 \cdot 168.7^2 \cdot 0.145 \cdot 1.132 = 2300 \text{ Pa (0.02 bar)}$ This pressure drop is too small to justify a more accurate estimation. For the purposes of this calculation, we can assume the specific volume remains constant from G to L.</p> <p style="text-align: center;">Section JG</p> <p>Section L to J and from Table 2: where $G_p = 2 \cdot 10.6/\pi \cdot 0.3^2/4 = 299.9 \text{ kg/m}^2\text{s}$ By first approximation $\Delta p = 0.5 \cdot 299.9^2 \cdot 0.145 \cdot 0.071 = 500 \text{ Pa (0.01 bar)}$</p> <p style="text-align: center;">Section LJ</p> <p>Section L to J and from Table 2: $G_p = 10.6/\pi \cdot 0.3^2/4 = 149.9 \text{ kg/m}^2\text{s}$ By first approximation $\Delta p = 0.5 \cdot 149.9^2 \cdot 0.145 \cdot 0.621 = 1000 \text{ Pa (0.01 bar)}$ $p_L = 1.51 + 0.02 + 0.01 + 0.01 = 1.55 \text{ bar a}$ at exit from conical expansion fitting By equation (7) $x_L = \frac{524200 - 344600 + 0}{415800} = 0.432$ By equations (8) and (9) $\rho_L = 3.54/0.432 = 8.19 \text{ kg/m}^3$; $v = 0.122 \text{ m}^3\text{/kg}$</p> <p style="text-align: center;">Conical expansion fitting at L</p> <p>In accordance with procedure 2.2-7, the static inlet pressure to this fitting is assumed to be 1.55 bar a.</p> <p style="text-align: center;">Section PRV - L</p>

Applicable provisions	Worked example of the procedure
	<p>Section PRV and from Table 2: where $G_p = 10.6/\pi \cdot 0.1^2/4 = 1349.9 \text{ kg/m}^2\text{s}$ p_{ec} at exit of pipe section from PRV to L = $1349 \cdot 136.2 = 184000 \text{ Pa (1.84 bar a)} > 1.55$ Therefore, the exit of the 100 mm diameter pipe section PRV to L is choked and the exit pressure at L is 1.84 bar a. By equation (7) at 1.84 bar a $x_L = \frac{524200 - 355100 + 0}{411600} = 0.411$ By equation (8) and (9) $\rho_L = 4.18/0.411 = 10.17 \text{ kg/m}^3$; $v_L = 0.098 \text{ m}^2\text{s/kg}$ By first approximation $\Delta p = 0.5 \cdot 1349^2 \cdot 0.098 \cdot 0.043 = 3800 \text{ Pa (0.04 bar)}$ $p_{PRV} = 1.84 + 0.04 = 1.88 \text{ bar a}$; Try 2.42 bar a By equation (7) $x_{PRV} = \frac{524200 - 371800}{403600} = 0.378$</p>
	<p>By equation (8) and (9) $\rho_{PRV} = 5.49/0.378 = 14.52 \text{ kg/m}^3$; $v_{PRV} = 0.069 \text{ m}^2\text{s/kg}$ By equation (5) $\Delta p = 1349^2 \cdot (0.098 - 0.069) + 0.5 \cdot 1349^2 (0.098 + 0.069)/2 \cdot 0.043$ $= 52800 + 3300 = 56100 \text{ Pa (0.56 bar)}$ and $p_{PRV} = 1.84 + 0.56 = 2.40 \text{ bar a (1.40 bar g)}$ Back pressure at divided PRV two-phase flow at 14.2 bar a is $1.40 \times 100/11.0 = 12.7\%$ of set pressure (gauge) which assures adequate relief capacity for POPRVs.</p>
Summary of predictions	<p>The predicated two-phase propane properties are shown at five node points in the PRV discharge vent piping, in Fig. 2 at the divided PRV flow-rate, and in Table 3 at the installed rated flow-rate. The flowing pressure drop in the piping to the PRV inlet is less than 2.1-3. The built-up back pressure at the PRV outlet is also less than 2.1-4 requires for the pilot-operated PRVs installed.</p>




Table 2 List of Vent Pipe Lengths and Surface Areas, Fittings and Dynamic Loss Coefficients

Pipe section	Length (mm)	Pipe diameter (mm)	Surface area (m ²)	Fitting	Specification	Dynamic loss coefficients <i>N</i>	Pipe $4fL/D$	$4fL/D + \sum N$
A	1,080	500/700	2.04	A= Cowl/vent exit	-	2.25	—	2.25
A - B	1,565	500	2.46				0.063	0.063
Section total			4.50					2.313
B - C	2,650	400	3.331	B= Conical expansion	$d/D=0.8$	*	0.132	0.132
C - D	2,546	400	3.20	C= Long radius bend	90°	0.3	0.127	0.427
D - E	14,880	400	18.71	D= Bend	45°	0.2	0.744	0.944
E - F	2,093	400	2.63	E= Bend	45°	0.2	0.105	0.305
Section total			27.86					
F - G	642	400	0.81	F= Hard tee	-	1.1	0.032	1.132
G - J	1,066	300	1.00	G= Conical expansion	$d/D=0.75$	*	0.071	0.071
Section total			1.81					
J - K	1,340	300	1.263	J= Soft tee	-	0.3	0.089	0.389
K - L	481	300	0.453	K= Bend	45°	0.2	0.032	0.232
Section total			1.72					
L - PRV	216	300/100		L= Conical expansion	$d/D=0.33$	*	0.043	0.043
PRV - M	108	80					0.027	0.027
M	108	80		M= Conical reduction	$d/D=0.8$	0.1	-	0.1
M - N	142	80		N= Square edged inlet	-	0.5	0.028	0.528

Note:

*: Ignored under procedure 2.2-7

Table 3 Typical Values for Dynamic Loss Coefficient (N) for Vent System Fittings “ N ” may Vary with Pipe Diameter

Fitting	Dynamic loss coefficient N
Inlet pipe from tank to <i>RPV</i> : Square-edged inlet	 0.5
Protruding conical inlet	 0.15
Conical reduction	 0.1
Discharge piping from <i>RPV</i> to mast vent exit : 45° bend 45° single-mitre elbow 90° long radius bend 90° short radius bend 90° double-mitre elbow Soft-tee Hard-tee Cowl mast vent exit Top-hat mast vent exit Flame screen for 17.9, Part N of the Rules	 0.2 0.45 0.3 0.5 0.6 0.3 1.1 2.25 [4.5] 1.4

Annex 6

NON-METALLIC MATERIALS

1 General

1 The guidance given in this appendix is in addition to the requirements of 4.19, **Part N of the Rules**, where applicable to non-metallic materials.

2 The manufacture, testing, inspection and documentation of non-metallic materials should in general comply with recognized standards, and with the specific requirements of **Part N of the Rules**, as applicable.

3 When selecting a non-metallic material, the designer should ensure that it has properties appropriate to the analysis and specification of the system requirements. A material can be selected to fulfil one or more requirements.

4 A wide range of non-metallic materials may be considered. Therefore, the section below on material selection criteria cannot cover every eventuality and should be considered as guidance.

2 Material Selection Criteria

1 Non-metallic materials may be selected for use in various parts of liquefied gas carrier cargo systems based on consideration of the following basic properties:

- (1) insulation – the ability to limit heat flow;
- (2) load bearing – the ability to contribute to the strength of the containment system;
- (3) tightness – the ability to provide liquid and vapour tight barriers;
- (4) joining – the ability to be joined (for example by bonding, welding or fastening).

2 Additional considerations may apply depending on the specific system design.

3 Properties of Materials

1 Flexibility of insulating material is the ability of an insulating material to be bent or shaped easily without damage or breakage.

2 Loose fill material is a homogeneous solid generally in the form of fine particles, such as a powder or beads, normally used to fill the voids in an inaccessible space to provide an effective insulation.

3 Nanomaterial is a material with properties derived from its specific microscopic structure.

4 Cellular material is a material type containing cells that are either open, closed or both and which are dispersed throughout its mass.

5 Adhesive material is a product that joins or bonds two adjacent surfaces together by an adhesive process.

6 Other materials are materials that are not characterized in this section and should be identified and listed. The relevant tests used to evaluate the suitability of material for use in the cargo system should be identified and documented.

4 Material Selection and Testing Requirements

4.1 Material Specification

1 When the initial selection of a material has been made, tests should be conducted to validate the suitability of this material for the use intended.

2 The material used should clearly be identified and the relevant tests should be fully documented.

3 Materials should be selected according to their intended use. They should:

- (1) be compatible with all the products that may be carried;
- (2) not be contaminated by any cargo nor react with it;
- (3) not have any characteristics or properties affected by the cargo; and
- (4) be capable to withstand thermal shocks within the operating temperature range.

4.2 Material Testing

The tests required for a particular material depend on the design analysis, specification and intended duty. The list of tests below is for illustration. Any additional tests required, for example in respect of sliding, damping and galvanic insulation, should be identified clearly and documented. Materials selected according to 4.1 should be tested further according to the following table:

Function	Insulation	Load bearing structural	Tightness	Joining
Mechanical tests		X		X
Tightness tests			X	
Thermal tests	X			

Thermal shock testing should submit the material and/or assembly to the most extreme thermal gradient it will experience when in service.

4.2.1 Inherent Properties of Materials

1 Tests should be carried out to ensure that the inherent properties of the material selected will not have any negative impact in respect of the use intended.

2 For all selected materials, the following properties should be evaluated:

- (1) density; example standard *ISO 845*; and
- (2) linear coefficient of thermal expansion (*LCTE*); example standard *ISO 11359* across the widest specified operating temperature range. However, for loose fill material the volumetric coefficient of thermal expansion (*VCTE*) should be evaluated, as this is more relevant.

3 Irrespective of its inherent properties and intended duty, all materials selected should be tested for the design service temperature range down to 5°C below the minimum design temperature, but not lower than -196°C.

4 Each property evaluation test should be performed in accordance with recognized standards. Where there are no such standards, the test procedure proposed should be fully detailed and submitted to the Society for acceptance. Sampling should be sufficient to ensure a true representation of the properties of the material selected.

4.2.2 Mechanical Tests

1 The mechanical tests should be performed in accordance with the following table.

Mechanical tests	Load bearing structural
Tensile	<i>ISO 527</i>

	<i>ISO 1421</i> <i>ISO 3346</i> <i>ISO 1926</i>
Shearing	<i>ISO 4587</i> <i>ISO 3347</i> <i>ISO 1922</i> <i>ISO 6237</i>
Compressive	<i>ISO 604</i> <i>ISO 844</i> <i>ISO 3132</i>
Bending	<i>ISO 3133</i> <i>ISO 14679</i>
Creep	<i>ISO 7850</i>

2 If the chosen function for a material relies on particular properties such as tensile, compressive and shear strength, yield stress, modulus or elongation, these properties should be tested to a recognized standard. If the properties required are assessed by numerical simulation according to a high order behaviour law, the testing should be performed to the satisfaction of the Society.

3 Creep may be caused by sustained loads, for example cargo pressure or structural loads. Creep testing should be conducted based on the loads expected to be encountered during the design life of the containment system.

4.2.3 Tightness Tests

1 The tightness requirement for the material should relate to its operational functionality.

2 Tightness tests should be conducted to give a measurement of the material's permeability in the configuration corresponding to the application envisaged (e.g. thickness and stress conditions) using the fluid to be retained (e.g. cargo, water vapour or trace gas).

3 The tightness tests should be based on the tests indicated as examples in the following table.

Tightness tests	Tightness
Porosity/Permeability	<i>ISO 15106</i>
	<i>ISO 2528</i>
	<i>ISO 2782</i>

4.2.4 Thermal Conductivity Tests

1 Thermal conductivity tests should be representative of the lifecycle of the insulation material so its properties over the design life of the cargo system can be assessed. If these properties are likely to deteriorate over time, the material should be aged as best possible in an environment corresponding to its lifecycle, for example operating temperature, light, vapour and installation (e.g. packaging, bags, boxes, etc.).

2 Requirements for the absolute value and acceptable range of thermal conductivity and heat capacity should be chosen taking into account the effect on the operational efficiency of the cargo containment system. Particular attention should also be paid to the sizing of the associated cargo handling system and components such as safety relief valves plus vapour return and handling equipment.

3 Thermal tests should be based on the tests indicated as examples in the following table or their equivalents:

Thermal tests	Insulating
Thermal conductivity	<i>ISO 8301</i>
	<i>ISO 8302</i>
Heat capacity	X

4.2.5 Physical Tests

1 In addition to the requirements of 4.19.2-3 and 4.19.3-2, **Part N of the Rules**, the following table provides guidance and

information on some of the additional physical tests that may be considered.

Physical tests	Flexible insulating	Loose fill	Nano-material	Cellular	Adhesive
Particle size		X			
Closed cells content				ISO 4590	
Absorption/Desorption	ISO 12571	X	X	ISO 2896	
Viscosity				ISO 2555 ISO 2431	
Open time					ISO 10364
Thixotropic properties					X
Hardness					ISO 868

2 Requirements for loose fill material segregation should be chosen considering its potential adverse effect on the material properties (density, thermal conductivity) when subjected to environmental variations such as thermal cycling and vibration.

3 Requirements for a material with closed cell structures should be based on its eventual impact on gas flow and buffering capacity during transient thermal phases.

4 Similarly, adsorption and absorption requirements should take into account the potential adverse effect an uncontrolled buffering of liquid or gas may have on the system.

5 Quality Assurance and Quality Control (*QA/QC*)

5.1 General

1 Once a material has been selected, after testing as outlined in [Section 4](#), a detailed quality assurance/quality control (*QA/QC*) programme should be applied to ensure the continued conformity of the material during installation and service. This programme should consider the material starting from the manufacturer's quality manual (*QM*) and then follow it throughout the construction of the cargo system.

2 The *QA/QC* programme should include the procedure for fabrication, storage, handling and preventive actions to guard against exposure of a material to harmful effects. These may include, for example, the effect of sunlight on some insulation materials or the contamination of material surfaces by contact with personal products such as hand creams. The sampling methods and the frequency of testing in the *QA/QC* programme should be specified to ensure the continued conformity of the material selected throughout its production and installation.

3 Where powder or granulated insulation is produced, arrangements should be made to prevent compacting of the material due to vibrations.

5.2 *QA/QC* during Component Manufacture

The *QA/QC* programme in respect of component manufacture should include, as a minimum but not limited to, the following items.

5.2.1 Component Identification

1 For each material, the manufacturer should implement a marking system to clearly identify the production batch. The marking system should not interfere, in any way, with the properties of the product.

2 The marking system should ensure complete traceability of the component and should include:

- (1) date of production and potential expiry date;
- (2) manufacturer's references;
- (3) reference specification;
- (4) reference order; and
- (5) when necessary, any potential environmental parameters to be maintained during transportation and storage.

5.2.2 Production Sampling and Audit Method

- 1 Regular sampling is required during production to ensure the quality level and continued conformity of a selected material.
- 2 The frequency, the method and the tests to be performed should be defined in *QA/QC* programme; for example, these tests will usually cover, inter alia, raw materials, process parameters and component checks.
- 3 Process parameters and results of the production *QC* tests should be in strict accordance with those detailed in the *QM* for the material selected.
- 4 The objective of the audit method as described in the *QM* is to control the repeatability of the process and the efficacy of the *QA/QC* programme.
- 5 During auditing, auditors should be provided with free access to all production and *QC* areas. Audit results should be in accordance with the values and tolerances as stated in the relevant *QM*.

6 Bonding and Joining Process Requirement and Testing

6.1 Bonding Procedure Qualification

- 1** The bonding procedure specification and qualification test should be defined in accordance with recognized standards.
- 2** The bonding procedures should be fully documented before work commences to ensure the properties of the bond are acceptable.
- 3** The following parameters should be considered when developing a bonding procedure specification:
 - (1) surface preparation;
 - (2) materials storage and handling prior to installation;
 - (3) covering-time;
 - (4) open-time;
 - (5) mixing ratio, deposited quantity;
 - (6) environmental parameters (temperature, humidity); and
 - (7) curing pressure, temperature and time.
- 4** Additional requirements may be included as necessary to ensure acceptable results.
- 5** The bonding procedures specification should be validated by an appropriate procedure qualification testing programme.

6.2 Personnel Qualifications

- 1** Personnel involved in bonding processes should be trained and qualified to recognized standards.
- 2** Regular tests should be made to ensure the continued performance of people carrying out bonding operations to ensure a consistent quality of bonding.

7 Production Bonding Tests and Controls

7.1 Destructive Testing

During production, representative samples should be taken and tested to check that they correspond to the required level of strength as required for the design.

7.2 Non-destructive Testing

1 During production, tests which are not detrimental to bond integrity should be performed using an appropriate technique such as:

- (1) visual examination;
- (2) internal defects detection (for example acoustic, ultrasonic or shear test); and
- (3) local tightness testing.

2 If the bonds have to provide tightness as part of their design function, a global tightness test of the cargo containment system should be completed after the end of the erection in accordance with the designer's and *QA/QC* programme.

3 The *QA/QC* standards should include acceptance standards for the tightness of the bonded components when built and during the lifecycle of the containment system.

Annex 7

STANDARD FOR THE USE OF LIMIT STATE METHODOLOGIES IN THE DESIGN OF CARGO CONTAINMENT SYSTEMS OF NOVEL CONFIGURATION

1 General

1 The purpose of this standard is to provide procedures and relevant design parameters of limit state design of cargo containment systems of a novel configuration in accordance with **4.27, Part N of the Rules**.

2 Limit state design is a systematic approach where each structural element is evaluated with respect to possible failure modes related to the design conditions identified in **4.3.4, Part N of the Rules**. A limit state can be defined as a condition beyond which the structure, or part of a structure, no longer satisfies the requirements.

3 The limit states are divided into the three following categories:

- (1) Ultimate Limit States (*ULS*), which correspond to the maximum load-carrying capacity or, in some cases, to the maximum applicable strain, deformation or instability in structure resulting from buckling and plastic collapse; under intact (undamaged) conditions;
- (2) Fatigue Limit States (*FLS*), which correspond to degradation due to the effect of cyclic loading; and
- (3) Accident Limit States (*ALS*), which concern the ability of the structure to resist accident situations.

4 **4.3 to 4.20, Part N of the Rules** are to be complied with as applicable depending on the cargo containment system concept.

2 Design Format

1 The design format in this standard is based on a Load and Resistance Factor Design format. The fundamental principle of the Load and Resistance Factor Design format is to verify that design load effects, L_d , do not exceed design resistances, R_d , for any of the considered failure modes in any scenario:

$$L_d \leq R_d$$

A design load is obtained by multiplying the characteristic load by a load factor relevant for the given load category:

$$F_{dk} = \gamma_f \cdot F_k$$

where:

γ_f : load factor

F_k : the characteristic load as specified in **4.11 to 4.18, Part N of the Rule**

A design load effect (e.g. stresses, strains, displacements and vibrations) is the most unfavourable combined load effect derived from the design loads, and may be expressed by:

$$L_d = q(F_{d1}, F_{d2}, \dots, F_{dN})$$

where q denotes the functional relationship between load and load effect determined by structural analyses.

The design resistance R_d is determined as follows:

$$R_d = \frac{R_k}{\gamma_R \cdot \gamma_C}$$

where:

R_k : the characteristic resistance. In case of materials covered by **Chapter 6, Part N of the Rules**, it may be, but not limited to, specified minimum yield stress, specified minimum tensile strength, plastic resistance of cross sections, and ultimate buckling strength;

γ_R : the resistance factor, defined as ;

$$\gamma_R = \gamma_m \cdot \gamma_s$$

γ_m : the partial resistance factor to take account of the probabilistic distribution of the material properties (material factor)

γ_s : the partial resistance factor to take account of the uncertainties on the capacity of the structure, such as the quality of the construction, method considered for determination of the capacity including accuracy of analysis

γ_C : the consequence class factor, which accounts for the potential results of failure with regard to release of cargo and possible human injury

2 Cargo containment design is to take into account potential failure consequences. Consequence classes are defined in **Table 1**, to specify the consequences of failure when the mode of failure is related to the Ultimate Limit State, the Fatigue Limit State, or the Accident Limit State.

Table 1 Consequence Classes

Consequence class	Definition
Low	Failure implies minor release of the cargo.
Medium	Failure implies release of the cargo and potential for human injury.
High	Failure implies significant release of the cargo and high potential for human injury/fatality.

3 Required Analyses

1 Three dimensional finite element analyses are to be carried out as an integrated model of the tank and the ship hull, including supports and keying system as applicable. All the failure modes are to be identified to avoid unexpected failures. Hydrodynamic analyses are to be carried out to determine the particular ship accelerations and motions in irregular waves, and the response of the ship and its cargo containment systems to these forces and motions.

2 Buckling strength analyses of cargo tanks subject to external pressure and other loads causing compressive stresses are to be carried out in accordance with recognized standards. The method is to adequately account for the difference in theoretical and actual buckling stress as a result of plate out of flatness, plate edge misalignment, straightness, ovality and deviation from true circular form over a specified arc or chord length, as relevant.

3 Fatigue and crack propagation analysis are to be carried out in accordance with paragraph 5-1.

4 Ultimate Limit States

1 Structural resistance may be established by testing or by complete analysis taking account of both elastic and plastic material properties. Safety margins for ultimate strength are to be introduced by partial factors of safety taking account of the contribution of stochastic nature of loads and resistance (dynamic loads, pressure loads, gravity loads, material strength, and buckling capacities).

2 Appropriate combinations of permanent loads, functional loads and environmental loads including sloshing loads are to be considered in the analysis. At least two load combinations with partial load factors as given in **Table 2** are to be used for the assessment of the ultimate limit states.

The load factors for permanent and functional loads in load combination 'a' are relevant for the normally well-controlled and/or specified loads applicable to cargo containment systems such as vapour pressure, cargo weight, system self-weight, etc. Higher load factors may be relevant for permanent and functional loads where the inherent variability and/or uncertainties in the prediction models are higher.

Table 2 Partial Load Factors

Load combination	Permanent loads	Functional loads	Environmental loads
'a'	1.1	1.1	0.7
'b'	1.0	1.0	1.3

3 For sloshing loads, depending on the reliability of the estimation method, a larger load factor may be required by the Society.

4 In cases where structural failure of the cargo containment system are considered to imply high potential for human injury and significant release of cargo, the consequence class factor is to be taken as $\gamma_C = 1.2$. This value may be reduced if it is justified through risk analysis and subject to the approval by the Society. The risk analysis is to take account of factors including, but not limited to, provision of full or partial secondary barrier to protect hull structure from the leakage and less hazards associated with intended cargo. Conversely, higher values may be fixed by the Society, for example, for ships carrying more hazardous or higher pressure cargo. The consequence class factor is to in any case not be less than 1.0.

5 The load factors and the resistance factors used are to be such that the level of safety is equivalent to that of the cargo containment systems as described in sections **4.21 to 4.26, Part N of the Rules**. This may be carried out by calibrating the factors against known successful designs.

6 The material factor γ_m is to in general reflect the statistical distribution of the mechanical properties of the material, and needs to be interpreted in combination with the specified characteristic mechanical properties. For the materials defined in **Chapter 6, Part N of the Rules**, the material factor γ_m may be taken as:

1.1: when the characteristic mechanical properties specified by the recognized organization typically represents the lower 2.5% quantile in the statistical distribution of the mechanical properties; or

1.0: when the characteristic mechanical properties specified by the recognized organization represents a sufficiently small quantile such that the probability of lower mechanical properties than specified is extremely low and can be neglected.

7 The partial resistance factors γ_{si} is to in general be established based on the uncertainties in the capacity of the structure considering construction tolerances, quality of construction, the accuracy of the analysis method applied, etc.

(1) For design against excessive plastic deformation using the limit state criteria given in paragraph **-8**, the partial resistance factors γ_{si} is to be taken as follows:

$$\gamma_{s1} = 0.76 \cdot \frac{B}{\kappa_1}$$

$$\gamma_{s2} = 0.76 \cdot \frac{D}{\kappa_2}$$

$$\kappa_1 = \text{Min} \left(\frac{R_m}{R_e} \cdot \frac{B}{A}; 1.0 \right)$$

$$\kappa_2 = \text{Min} \left(\frac{R_m}{R_e} \cdot \frac{D}{C}; 1.0 \right)$$

Factors A , B , C and D are defined in section **4.22.3-1, Part N of the Rules**. R_m and R_e are defined in section **4.18.1(3), Part N of the Rules**.

The partial resistance factors given above are the results of calibration to conventional type *B* independent tanks.

8 Design against excessive plastic deformation

- (1) Stress acceptance criteria given below refer to elastic stress analyses.
- (2) Parts of cargo containment systems where loads are primarily carried by membrane response in the structure is to satisfy the following limit state criteria:

$$\sigma_m \leq f$$

$$\sigma_L \leq 1.5f$$

$$\sigma_b \leq 1.5F$$

$$\sigma_L + \sigma_b \leq 1.5F$$

$$\sigma_m + \sigma_b \leq 1.5F$$

$$\sigma_m + \sigma_b + \sigma_g \leq 3.0F$$

$$\sigma_L + \sigma_b + \sigma_g \leq 3.0F$$

where:

σ_m : equivalent primary general membrane stress

σ_L : equivalent primary local membrane stress

σ_b : equivalent primary bending stress

σ_g : equivalent secondary stress

With regard to the stresses σ_m , σ_L , σ_b and σ_g , see also the definition of stress categories in section [4.28.3, Part N of the Rules](#).

Guidance Note:

The stress summation described above is to be carried out by summing up each stress component (σ_x , σ_y , σ_{xy}), and subsequently the equivalent stress is to be calculated based on the resulting stress components as shown in the example below.

$$\sigma_L + \sigma_b = \sqrt{(\sigma_{Lx} + \sigma_{bx})^2 - (\sigma_{Lx} + \sigma_{bx})(\sigma_{Ly} + \sigma_{by}) + (\sigma_{Ly} + \sigma_{by})^2 + 3(\sigma_{Lxy} + \sigma_{bxy})^2}$$

- (3) Parts of cargo containment systems where loads are primarily carried by bending of girders, stiffeners and plates, are to satisfy the following limit state criteria:

$$\sigma_{ms} + \sigma_{bp} \leq 1.25F \quad (\text{See notes 1, 2})$$

$$\sigma_{ms} + \sigma_{bp} + \sigma_{bs} \leq 1.25F \quad (\text{See note 2})$$

$$\sigma_{ms} + \sigma_{bp} + \sigma_{bs} + \sigma_{bt} + \sigma_g \leq 3.0F$$

Note 1: The sum of equivalent section membrane stress and equivalent membrane stress in primary structure ($\sigma_{ms} + \sigma_{bp}$) will normally be directly available from three-dimensional finite element analyses.

Note 2: The coefficient, 1.25, may be modified by the Society considering the design concept, configuration of the structure, and the methodology used for calculation of stresses.

where:

σ_{ms} : equivalent section membrane stress in primary structure

σ_{bp} : equivalent membrane stress in primary structure and stress in secondary and tertiary structure caused by bending of primary structure

σ_{bs} : section bending stress in secondary structure and stress in tertiary structure caused by bending of secondary structure

σ_{bt} : section bending stress in tertiary structure

σ_g : equivalent secondary stress

The stresses σ_{ms} , σ_{bp} , σ_{bs} , and σ_{bt} are defined in (4). For a definition of σ_g , see section [4.28.3, Part N of the Rules](#).

Guidance Note:

The stress summation described above is to be carried out by summing up each stress component (σ_x , σ_y , σ_{xy}), and subsequently the equivalent stress is to be calculated based on the resulting stress components.

Skin plates are to be designed in accordance with the requirements of the Society. When membrane stress is significant, the

effect of the membrane stress on the plate bending capacity is to be appropriately considered in addition.

(4) Section stress categories

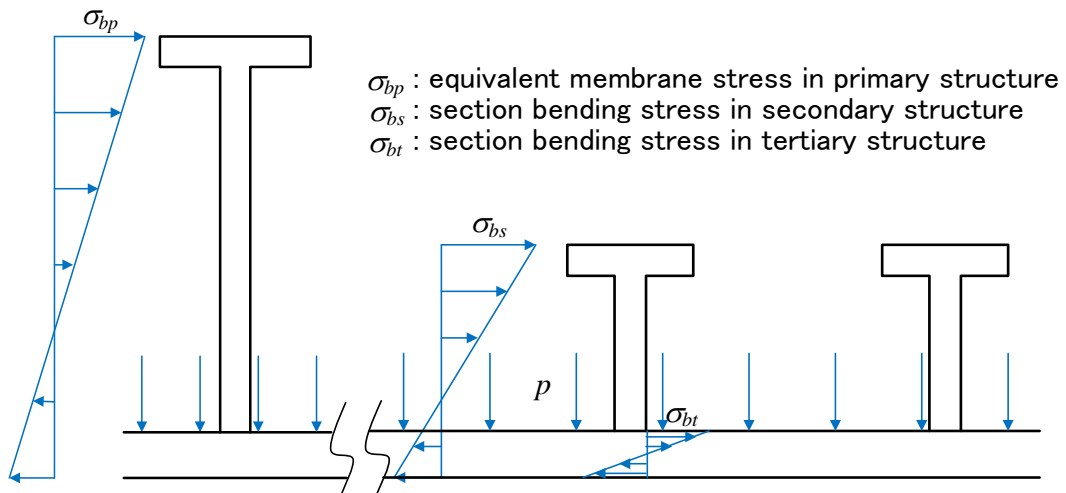
Normal stress is the component of stress normal to the plane of reference.

Equivalent section membrane stress is the component of the normal stress that is uniformly distributed and equal to the average value of the stress across the cross section of the structure under consideration. If this is a simple shell section, the section membrane stress is identical to the membrane stress defined in paragraph (2) of this standard.

Section bending stress is the component of the normal stress that is linearly distributed over a structural section exposed to bending action, as illustrated in [Fig.1](#).

9 The same factors γ_C , γ_m , γ_{si} are to be used for design against buckling unless otherwise stated in the applied recognized buckling standard. In any case the overall level of safety is not to be less than given by these factors.

Fig.1 Definition of the Three Categories of Section Stress
 (Stresses σ_{bp} and σ_{bs} are Normal to the Cross Section Shown.)



5 Fatigue Limit States

1 Fatigue design condition as described in section 4.18.2, Part N of the Rules is to be complied with as applicable depending on the cargo containment system concept. Fatigue analysis is required for the cargo containment system designed under section 4.27, Part N of the Rules and this standard.

2 The load factors for FLS are to be taken as 1.0 for all load categories.

3 Consequence class factor γ_C and resistance factor γ_R are to be taken as 1.0.

4 Fatigue damage is to be calculated as described in sections 4.18.2-2 to 4.18.2-5, Part N of the Rules. The calculated cumulative fatigue damage ratio for the cargo containment systems is to be less than or equal to the values given in Table 3.

5 Lower values may be fixed by the Society, for example for tank structures where effective detection of defect or crack cannot be assured, and for ships carrying more hazardous cargo.

6 Crack propagation analyses are required in accordance with sections 4.18.2-6 to 4.18.2-9, Part N of the Rules. The analysis is to be carried out in accordance with methods laid down in a standard recognized by the Society.

Table 3 Maximum Allowable Cumulative Fatigue Damage Ratio

C_w	Consequence class		
	Low	Medium	High
	1.0	0.5	0.5*

Note*: Lower value is to be used in accordance with sections 4.18.2-7 to 4.18.2-9, Part N of the Rules, depending on the detectability of defect or crack, etc.

6 Accident Limit States

- 1 Accident design condition as described in section **4.18.3, Part N of the Rules** is to be complied with as applicable, depending on the cargo containment system concept.
- 2 Load and resistance factors may be relaxed compared to the ultimate limit state considering that damages and deformations can be accepted as long as this does not escalate the accident scenario.
- 3 The load factors for *ALS* are to be taken as 1.0 for permanent loads, functional loads and environmental loads.
- 4 Loads mentioned in section **4.13.9** (Static heel loads) and section **4.15** (Collision and Loads due to flooding on ship), **Part N of the Rules** need not be combined with each other or with environmental loads, as defined in section **4.14, Part N of the Rules**.
- 5 Resistance factor γ_R is to in general be taken as 1.0.
- 6 Consequence class factors γ_C is to in general be taken as defined in paragraph **4-4**, but may be relaxed considering the nature of the accident scenario.
- 7 The characteristic resistance R_k is to in general be taken as for the ultimate limit state, but may be relaxed considering the nature of the accident scenario.
- 8 Additional relevant accident scenarios are to be determined based on a risk analysis.

7 Testing

Cargo containment systems designed according to this standard are to be tested to the same extent as described in section [4.20.3](#), **Part N of the Rules**, as applicable depending on the cargo containment system concept.